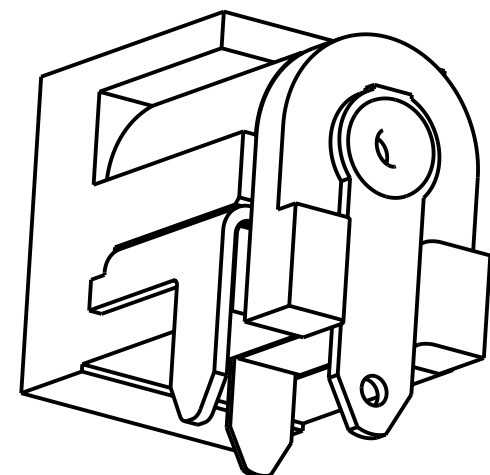
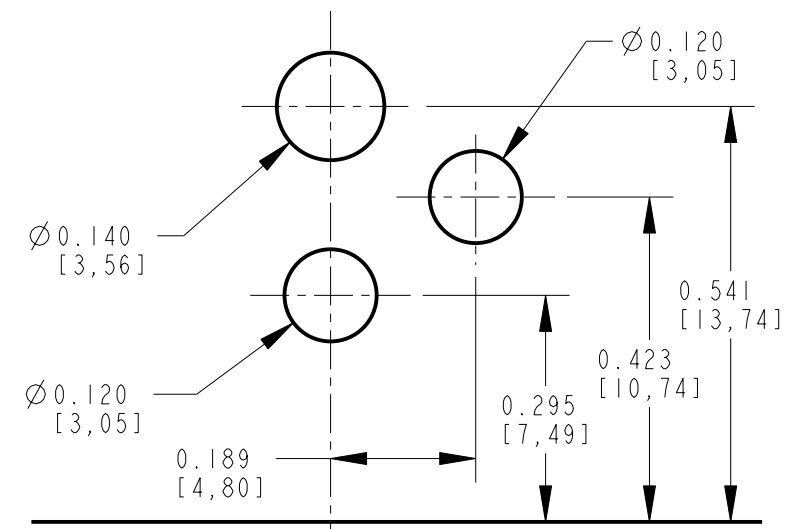


RECOMMENDED PC BOARD LAYOUT
(COMPONENT SIDE)



JACK MATING FACE
(EDGE OF PC BOARD)



ALTERNATE PC BOARD LAYOUT
(COMPONENT SIDE)

CUSTOMER DRAWING

MATERIALS:

HOUSING AND COVER: HIGH GRADE THERMOPLASTIC, UL94V-0 RATED, COLOR BLACK.
 CENTER PIN: BRASS, NICKEL PLATED PER QQ-N-290, CLASS 1.
 PIN AND SHUNT TERMINALS: BRASS, SILVER PLATED PER QQ-S-365.
 SLEEVE SPRING: SPRING COPPER ALLOY, SILVER PLATED PER QQ-S-365.

SPECIFICATIONS:

LIFE: 5000 CYCLES.
 INSERTION FORCE: 5 LB [2.3 KG] MAX.
 WITHDRAWAL FORCE: 0.5 LB [0.2 KG] MIN.
 CONTACT RESISTANCE: 30 MILLIOHM MAX, 60 MILLIOHM MAX. AFTER TEST.
 INSULATION RESISTANCE: 30 MEGAOHM MIN. @ 100VDC.
 DIELECTRIC WITHSTANDING VOLTAGE: 250VAC FOR 1 MINUTE.
 CURRENT (CARRYING): 5A.

REV	ECO NUMBER	DATE	BY	APVD
C	23813	3-14-02	JL	MW
B	22891	6-15-99	TJK	TJK
A	20661	7-22-97	DA	MA

REVISIONS

★ STAR SYMBOL DENOTES CRITICAL DIMENSION

UNLESS OTHERWISE SPECIFIED

1. ALL DIMENSIONS IN INCHES
 - TWO PLACE DECIMALS ±0.01
 - THREE PLACE DECIMALS ±0.005
 - ANGLES ±1°
 - ALL DIA. CONCENTRIC WITHIN 0.005 T.I.R.

2. FEATURES ON THE SAME CENTERLINE
 MUST BE ALIGNED WITHIN ±0.002

3. REMOVE ALL BURRS

DO NOT SCALE DRAWING

THIS DRAWING DESCRIBES A DESIGN CONSIDERED PROPRIETARY IN NATURE, DEVELOPED AND MANUFACTURED BY SWITCHCRAFT INC. AND IS RELEASED ON A CONFIDENTIAL BASIS FOR IDENTIFICATION PURPOSES ONLY.									
SIZE	WIDTH	MULT	LBS/M	TEMPER					
FINISH					MATERIAL				
SPEC No.					SPEC No.				
FIRST USED ON				SCALE					
				4:1					
DATE DRAWN	BY	CHKD	APVD						
12-28-95	MA	MA	MA						
		8-28-96	8-28-96						
NAME								PART No.	
POWER JACK, PC MOUNT								RAPC732	
0.05 [1,3mm] PIN								REV	
								C	