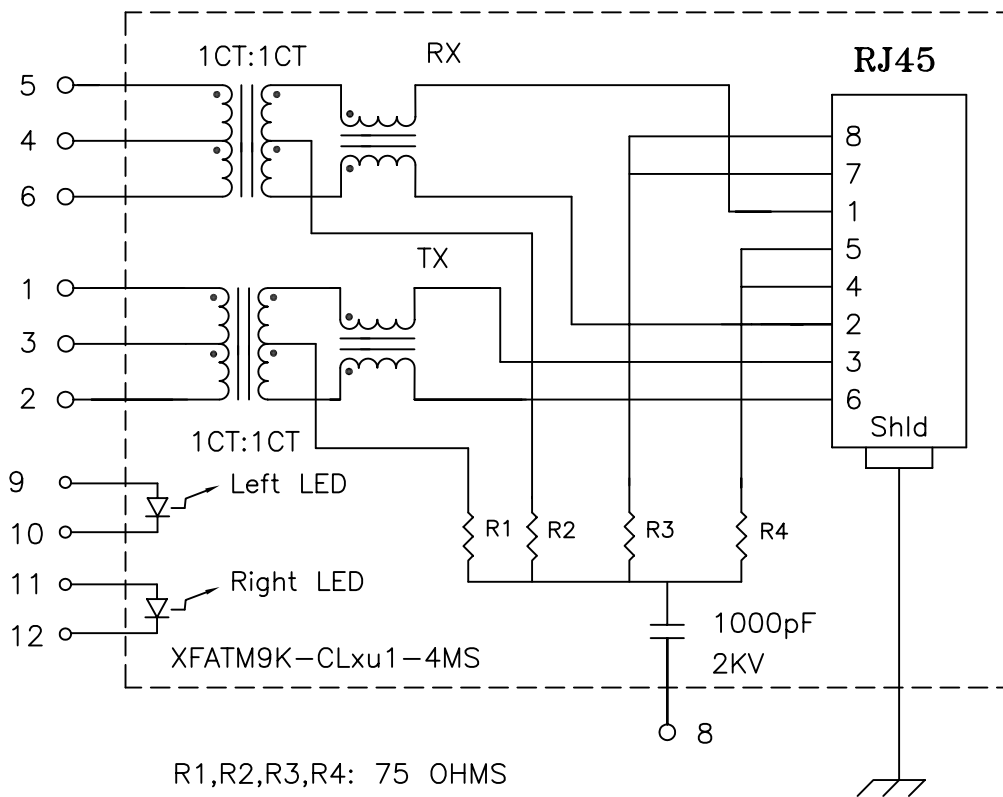


Schematic:



Electrical Specifications: @25°C

Isolation Voltage: 1500 Vrms (Input to Output)

Isolation Voltage: 500 Vrms (P1+2+3 to P4+5+6)

Turns Ratio: TX 1CT:1CT ±3% RX 1CT:1CT ±3%

CABLE SIDE OCL: 350uH Minimum @100KHz 100mV 8mADC

Cw/w: 27pF Typical @100KHz 100mV

Insertion Loss (300KHz-100MHz): -1.0dB Max

Return Loss: @30MHz -18dB Minimum

@80MHz -12dB Minimum

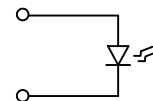
Complete the Combo P/N as follows:

Replace 'x' & 'u' in the part number with one of the LED color letters:

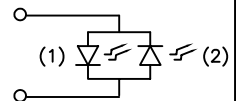
Y=Yellow
G=Green
A=Amber
R=Red
N=Yellow(1)/Green(2) Bicolor
M=Green(1)/Yellow(2) Bicolor

'x' = Left LED Color
'u' = Right LED Color

Single Color LED:



Bi-Color LED:



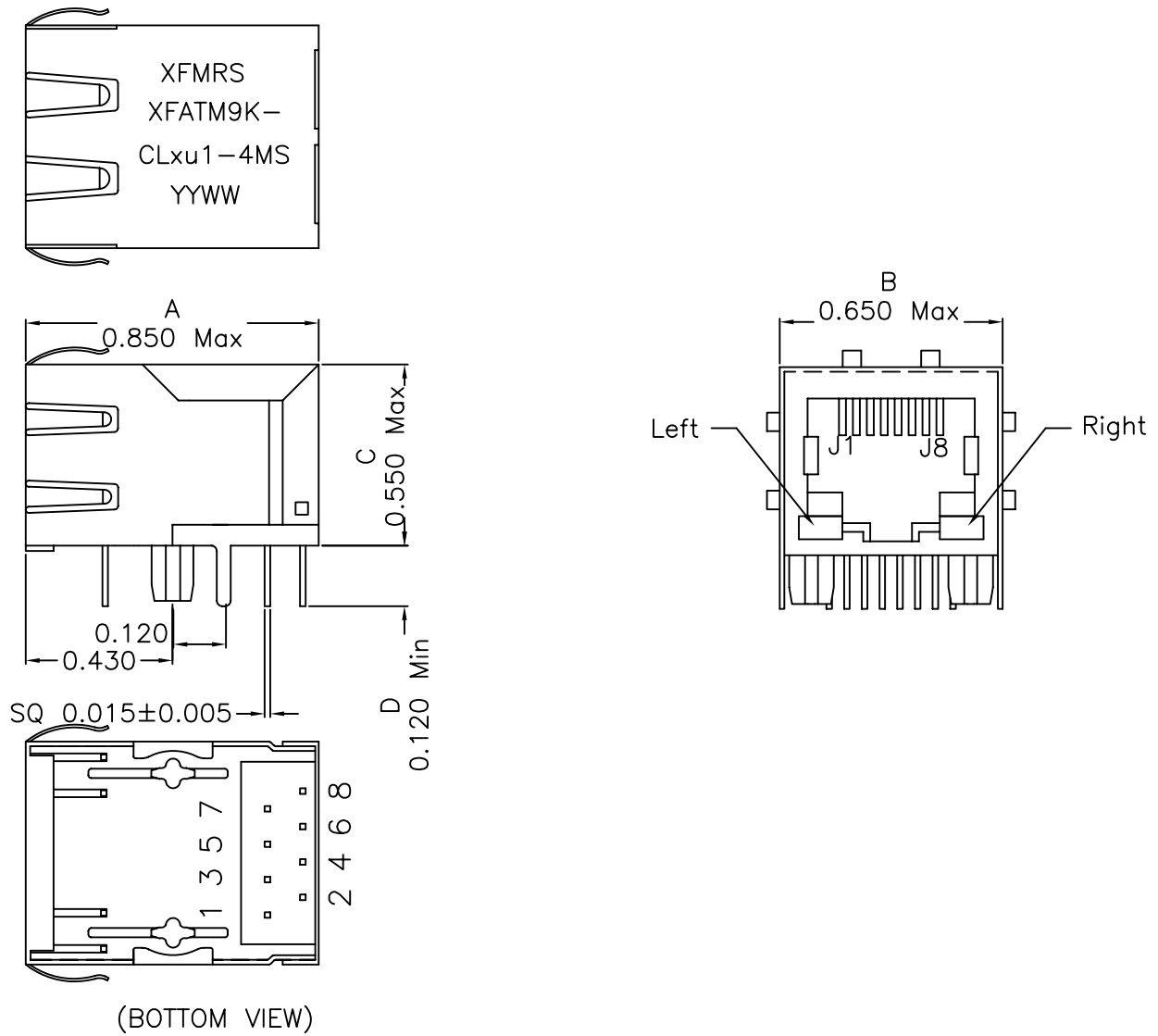
Notes:

- Solderability: Leads shall meet MIL-STD-202, Method 208D for solderability.
- Flammability: UL94V-0
- ASTM oxygen index: > 28%
- Insulation System: Class F 155°C. UL file E151556
- Operating Temperature Range: All listed parameters are to be within tolerance from -40°C to +85°C
- Storage Temperature Range: -55°C to +125°C
- Aqueous wash compatible

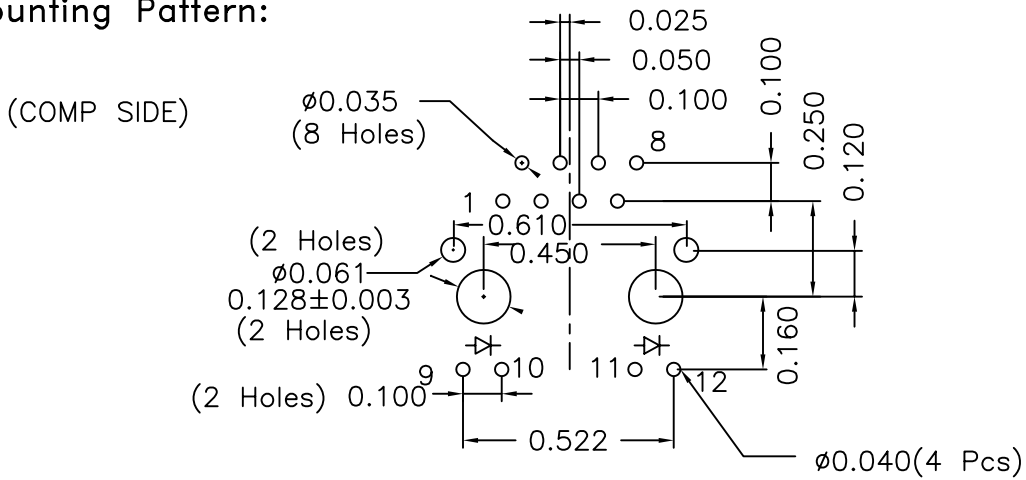
DOC. REV: A/3

XFMRs Inc.		Title: SINGLE PORT COMBO	
UNLESS OTHERWISE SPECIFIED		P/N: XFATM9K-CLxu1-4MS	REV. A
TOLERANCES: .xxx ±0.010		DWN. 廖玉坤	Mar-01-04
Dimensions in Inch		CHK. 李清儿	Mar-01-04
SHEET 1 OF 2		APP. MS	Mar-01-04

Mechanical Dimensions:



Mounting Pattern:



DOC. REV: A/3

XFMRs Inc.	Title: Mechanical Dimensions For CLxu1-4MS Series		
	UNLESS OTHERWISE SPECIFIED TOLERANCES: .xxx ±0.010 Dimensions in Inch	P/N: XFATM9K-CLxu1-4MS	REV. A
	DWN.	李小锋	Mar-01-04
	CHK.	廖玉坤	Mar-01-04
SHEET 2 OF 2	APP.	MS	Mar-01-04