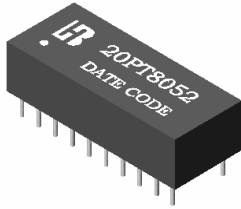


P/N:20PT8052 DATA SHEET
Feature

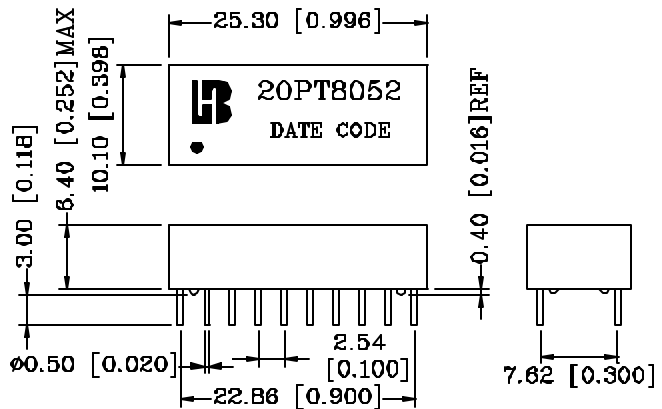
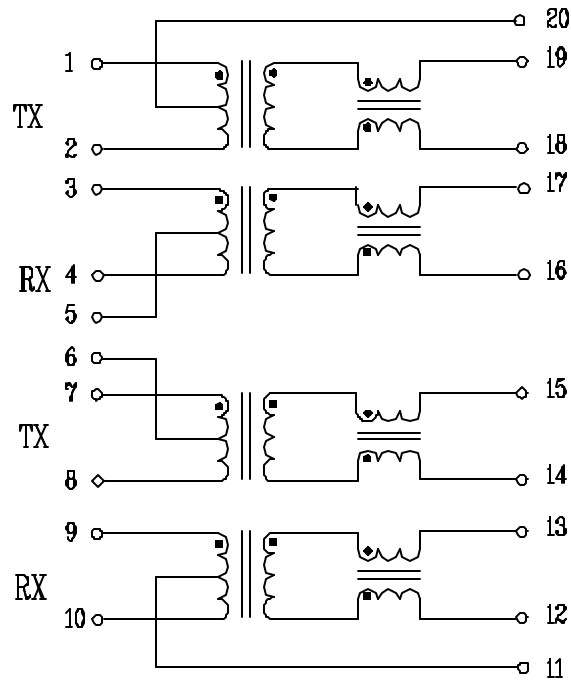


- 20-PIN DIL package compatible IEEE 802.3 standard & for the new Technology “Filterless” transceiver chips.
- Designed for multiport repeater and switched Ethernet applications utilizing single RJ-45 connectors.
- Operating temperature range: 0°C to +70°C.
- Storage temperature range: -25°C to +125°C.

Electrical Specifications @ 25°C					
Part Number	Turns Ratio (±5%)		Primary OCL (i H Min)	L.L TX/RX(i H Max)	Cw/w (pF Max)
	TX	RX			
20PT8052	1CT:1	1CT:1	140	0.35	15
Continue					
Part Number	DCR (Ω Max)	Isolation Voltage (Vrms)	Dissipation Rating (mW)	Peak Pulse Rating (Volts)	Insulation Resistance (MΩ)
20PT8052	0.3	1500	75	50	10,000

Schematic

Mechanical



Units: mm[Inches] Tolerances: xx.x0±0.25[0.010]
 0.xx±0.05[0.002]