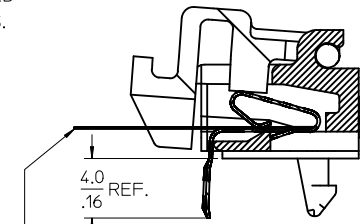
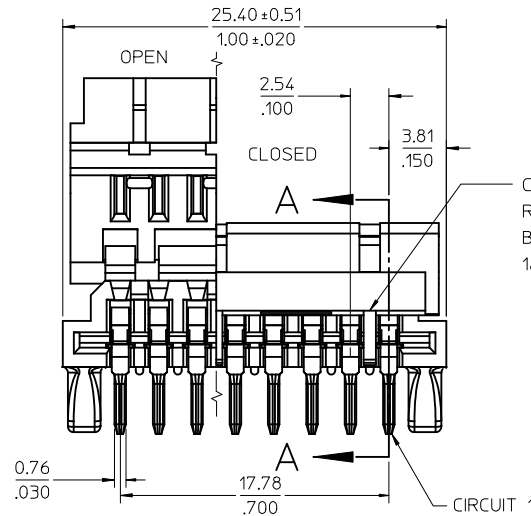
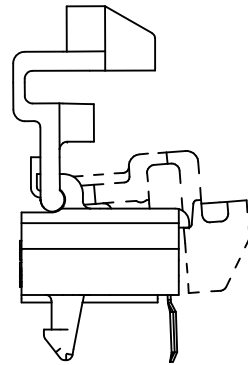
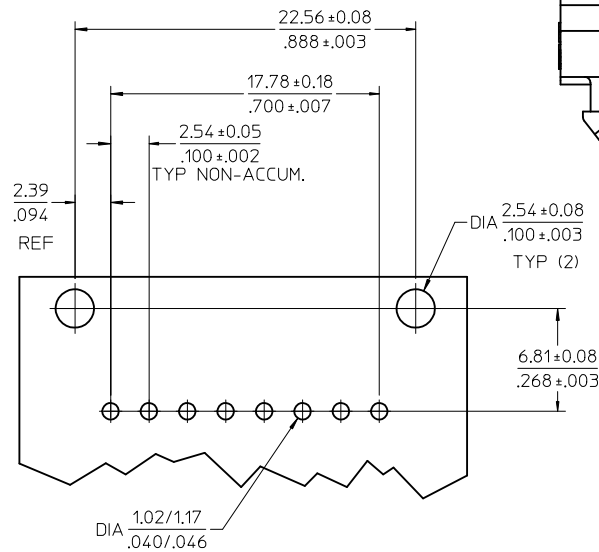


- NOTES:
- MATERIAL-HOUSINGS: POLYESTER  
TERMINALS: BRASS
  - FINISH: OVERALL MATTE TIN (0.00254)/.000100 MIN. OVER  
(0.00127)/.000050 MIN. NICKEL
  - PRODUCT SPEC: NONE
  - PKG. SPEC: TBD



SECTION A-A  
SCALE 4:1



CHANGE PLATING EC NO: UCP2012-1821 DRAWN: WJSTROH 2011/12/29 CHKD: HKIPPER 2012/01/03 APPR: FSMITH 2012/02/02	QUALITY SYMBOLS	GENERAL TOLERANCES (UNLESS SPECIFIED)	DIMENSION STYLE	SCALE	DESIGN UNITS	THIRD ANGLE PROJECTION
	▽=0	mm INCH	MM/IN	1:1	INCH	
	▽=0	4 PLACES ± --- ± ---	DRAWN BY DATE	TITLE		
	▽=0	3 PLACES ± --- ± .010	CHECKED BY DATE	FLAT FLEX CABLE CONNECTOR ASSEMBLY		
		2 PLACES ± 0.25 ± .015	APPROVED BY DATE	MOLEX INCORPORATED		
		1 PLACE ± 0.38 ± ---	MATERIAL NO. DATE	DOCUMENT NO. SHEET NO.		
		ANGULAR ± 1/2°	015-25-4081	SD-4850-001 1 OF 1		
		DRAFT WHERE APPLICABLE MUST REMAIN WITHIN DIMENSIONS	THIS DRAWING CONTAINS INFORMATION THAT IS PROPRIETARY TO MOLEX INCORPORATED AND SHOULD NOT BE USED WITHOUT WRITTEN PERMISSION			