



## Atmel AT24MAC402 and AT24MAC602

**I<sup>2</sup>C-Compatible (2-wire) 2-Kbit Serial EEPROM with a  
Factory-Programmed EUI-48™ or EUI-64™ Address  
Plus an Embedded Unique 128-bit Serial Number  
2-Kbit (256 x 8)**

### PRELIMINARY DATASHEET

#### Standard Serial EEPROM Features

- Low-voltage operation
  - 1.7V Minimum ( $V_{CC} = 1.7V$  to 5.5V)
- Internally organized as 256 x 8 (2K)
- I<sup>2</sup>C-compatible (2-wire) serial interface
- Schmitt Trigger, filtered inputs for noise suppression
- Bi-directional data transfer protocol
- 400kHz (1.7V) and 1MHz (2.5V, 5.0V) compatibility
- Write Protect pin for hardware data protection of the entire array
- Permanent and Reversible Software Write Protection for the first-half of the array
  - Software procedure to verify write protect status
- 16-byte page write modes
  - Partial page writes allowed
- Self-timed write cycle (5ms max)
- High-reliability
  - Endurance: 1,000,000 write cycles
  - Data retention: 100 years
- Green package options (PB/Halide-free/RoHS compliant)
  - 8-lead JEDEC SOIC, 8-lead TSSOP, 8-pad UDFN, and 5-lead SOT23
- Die sale options: wafer form and tape and reel

#### Enhanced Features in the MAC Serial EEPROM Family

- Factory-programmed EUI-48 or EUI-64 compatible address
  - Permanently locked, read-only value
  - Stored in a separate memory area
  - Guaranteed unique EUI address
- Custom programming services available
  - Manage and program customer's IEEE assigned OUI
- Unique factory-programmed 128-bit serial number
  - Unique for all Atmel® AT24CS, AT93CS, and AT25S series Serial EEPROMs
  - Permanently locked, read-only value
  - Stored in a separate memory area

## Description

The Atmel AT24MAC402 and AT24MAC602 provides 2048 bits of Serial Electrically-Erasable Programmable Read-Only Memory (EEPROM) organized as 256 words of eight bits each and is accessed via an I<sup>2</sup>C-compatible (2-wire) serial interface. In addition, AT24MAC402/602 incorporates an easy and inexpensive method to obtain a globally unique MAC or EUI address (EUI-48 or EUI-64). AT24MAC402 is an EUI-48 compatible device that contains a 48-bit EUI address, and AT24MAC602 is an EUI-64 compatible device that contains a 64-bit EUI address.

The EUI-48 and EUI-64 addresses can be assigned as the actual physical address of a system hardware device or node or it can be assigned to a software instance. These addresses are factory programmed by Atmel and permanently write protected in an extended memory block located outside of the standard 2-Kbit bit memory array.

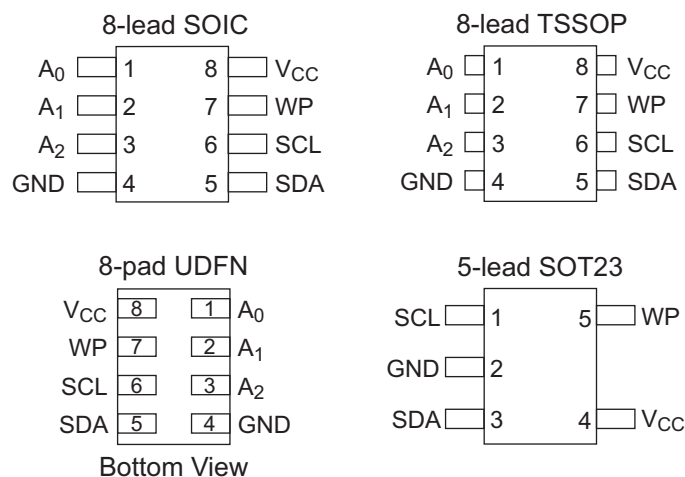
In addition, the AT24MAC402/602 provides the value added feature of a factory-programmed, guaranteed unique 128-bit serial number located in the extended memory block (same area as the EUI address values). The serial number is Atmel factory-programmed and permanently write protected. This 128-bit serial number is compatible with all AT24CS, AT93CS, and AT25S family serial numbers, therefore, providing guaranteed unique serial numbers for any application that is also using Atmel Serial EEPROMs.

The first-half of the AT24MAC402/602 incorporates a permanent and a reversible software write protection feature while a hardware write protect feature for the entire array is available via an external pin. The permanent software write protection is enabled by sending a special command to the device. This protection cannot be reversed once executed. However, the reversible software write protection can be reversed by sending and executing a special command. The hardware write protection is controlled by the WP pin state and can be used to protect the entire array regardless of whether or not the software write protection has been enabled. The software and hardware write protection features allow the user the flexibility to protect no portion of the memory, the first-half of the memory, or the entire memory array depending on the specific needs of the application.

The device is optimized for use in many industrial and commercial applications where low-power and low-voltage operations are essential. The AT24MAC402/602 is available in space saving 8-lead JEDEC SOIC, 8-lead TSSOP, 8-pad UDFN, and 5-lead SOT23 packages. Both devices operate across a wide supply voltage range from 1.7V to 5.5V V<sub>CC</sub>.

**Figure 1. Pin Configurations**

| Pin Name                        | Function           |
|---------------------------------|--------------------|
| A <sub>0</sub> - A <sub>2</sub> | Address Inputs     |
| SDA                             | Serial Data        |
| SCL                             | Serial Clock Input |
| WP                              | Write Protect      |
| GND                             | Ground             |
| V <sub>CC</sub>                 | Power Supply       |



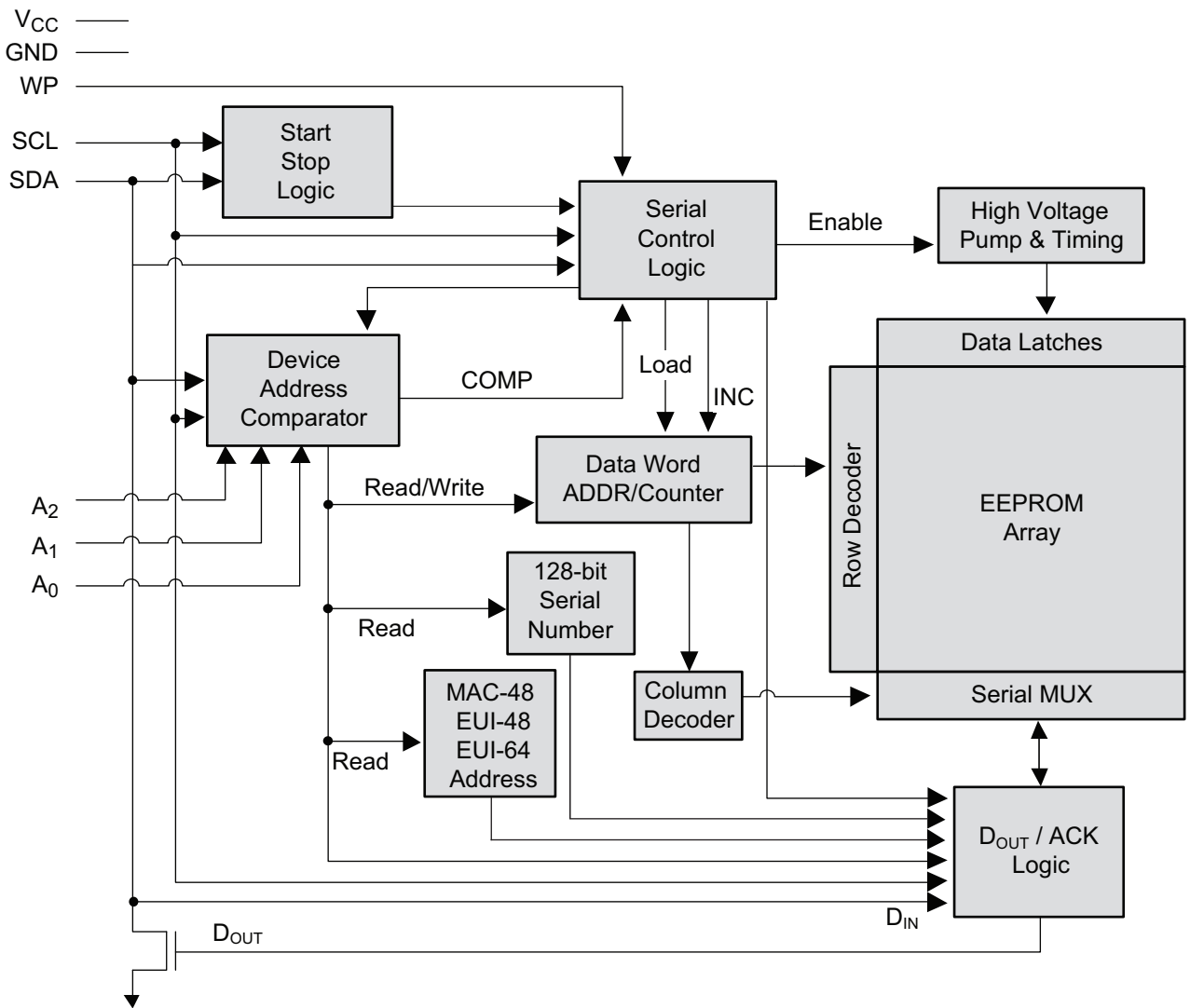
**Note:** For use of the 5-lead SOT23, the software A<sub>2</sub>, A<sub>1</sub>, and A<sub>0</sub> bits in the device address word must be set to zero to properly communicate with the device since the A<sub>2</sub>, A<sub>1</sub>, and A<sub>0</sub> pins are not bonded out. Some functionality is not possible due to these pins not being available. See [“Write Protection” on page 11](#) for more details.

# 1. Absolute Maximum Ratings\*

|  |                 |
|--|-----------------|
| Operating temperature . . . . .                        | -55°C to +125°C |
| Storage temperature . . . . .                          | -65°C to +150°C |
| Voltage on any pin<br>with respect to ground . . . . . | -1.0V to +7.0V  |
| Maximum operating voltage . . . . .                    | 6.25V           |
| DC output current . . . . .                            | 5.0mA           |

\*Notice: Stresses beyond those listed under “Absolute Maximum Ratings” may cause permanent damage to the device. This is a stress rating only and functional operation of the device at these or any other conditions beyond those indicated in the operational sections of this specification is not implied. Exposure to absolute maximum rating conditions for extended periods may affect device reliability.

Figure 1-1. Block Diagram



## 2. Pin Description

**Serial Clock (SCL):** The SCL input is used to positive edge clock data into each EEPROM device and negative edge clock data out of each device.

**Serial Data (SDA):** The SDA pin is bidirectional for serial data transfer. This pin is open-drain driven and may be wire-ORed with any number of other open-drain or open collector devices.

**Device Addresses (A<sub>0</sub>, A<sub>1</sub>, A<sub>2</sub>):** The A<sub>0</sub>, A<sub>1</sub>, and A<sub>2</sub> pins are device address inputs that are hard wired for the AT24MAC402/602. As many as eight 2K devices may be addressed on a single bus system. Device addressing is discussed in detail under “Device Addressing” on page 10.

**Write Protect (WP):** The AT24MAC402/602 has a Write Protect pin that provides hardware data protection. When the Write Protect pin is connected to ground (GND), normal Read/Write operations to the full array are possible. When the Write Protect pin is connected to V<sub>CC</sub>, all write operations to the memory are inhibited, but read operations are still possible. However, due to capacitive coupling that may appear during customer applications, Atmel recommends always connecting the WP pins to a known state. When using a pull-up resistor, Atmel recommends using 10kΩ or less. The write protection operation is summarized in Table 2-1 below.

**Table 2-1. Atmel AT24MAC402/602 Write Protection Modes**

| WP Pin Status   | Permanent Write Protect Register | Reversible Write Protect Register | Part of the Array Write Protected |
|-----------------|----------------------------------|-----------------------------------|-----------------------------------|
| V <sub>CC</sub> | —                                | —                                 | Full Array (2K)                   |
| GND or Floating | Not Programmed                   | Not Programmed                    | Normal Read/Write                 |
| GND or Floating | Programmed                       | —                                 | First-half of Array               |
| GND or Floating | —                                | Programmed                        | First-half of Array               |

**Table 2-2. Pin Capacitance<sup>(1)</sup>**

| Symbol           | Test Condition   | Max | Units | Conditions            |
|------------------|--|-----|-------|-----------------------|
| C <sub>I/O</sub> | Input/Output Capacitance (SDA)   | 8   | pF    | V <sub>I/O</sub> = 0V |
| C <sub>IN</sub>  | Input Capacitance (A <sub>0</sub> , A <sub>1</sub> , A <sub>2</sub> , SCL) | 6   | pF    | V <sub>IN</sub> = 0V  |

Note: 1. This parameter is characterized and is not 100% tested.

**Table 2-3. DC Characteristics**

Applicable over recommended operating range from:  $T_{AI} = -40^{\circ}\text{C}$  to  $+85^{\circ}\text{C}$ ,  $V_{CC} = 1.7\text{V}$  to  $5.5\text{V}$  (unless otherwise noted)

| Symbol    | Parameter                               | Test Condition                                 | Min                 | Typ  | Max                 | Units         |
|-----------|---|--|---------------------|------|---------------------|---------------|
| $V_{CC}$  | Supply Voltage                          |  | 1.7                 |      | 5.5                 | V             |
| $I_{CC1}$ | Supply Current $V_{CC} = 5.0\text{V}$   | Read at 400kHz                                 |                     | 0.4  | 1.0                 | mA            |
| $I_{CC2}$ | Supply Current $V_{CC} = 5.0\text{V}$   | Write at 400kHz                                |                     | 2.0  | 3.0                 | mA            |
| $I_{SB1}$ | Standby Current $V_{CC} = 1.7\text{V}$  | $V_{IN} = V_{CC}$ or $V_{SS}$                  |                     |      | 1.0                 | $\mu\text{A}$ |
| $I_{SB2}$ | Standby Current $V_{CC} = 2.5\text{V}$  | $V_{IN} = V_{CC}$ or $V_{SS}$                  |                     |      | 2.0                 | $\mu\text{A}$ |
| $I_{SB3}$ | Standby Current $V_{CC} = 5.5\text{V}$  | $V_{IN} = V_{CC}$ or $V_{SS}$ , $A_0 = V_{SS}$ |                     |      | 6.0                 | $\mu\text{A}$ |
| $I_{LI}$  | Input Leakage Current                   | $V_{IN} = V_{CC}$ or $V_{SS}$                  |                     | 0.10 | 3.0                 | $\mu\text{A}$ |
| $I_{LO}$  | Output Leakage Current                  | $V_{OUT} = V_{CC}$ or $V_{SS}$                 |                     | 0.05 | 3.0                 | $\mu\text{A}$ |
| $V_{IL}$  | Input Low Level <sup>(1)</sup>          |  | -0.6                |      | $V_{CC} \times 0.3$ | V             |
| $V_{IH}$  | Input High Level <sup>(1)</sup>         |  | $V_{CC} \times 0.7$ |      | $V_{CC} + 0.5$      | V             |
| $V_{OL1}$ | Output Low Level $V_{CC} = 1.7\text{V}$ | $I_{OL} = 0.15\text{mA}$                       |                     |      | 0.2                 | V             |
| $V_{OL2}$ | Output Low Level $V_{CC} = 3.0\text{V}$ | $I_{OL} = 2.1\text{mA}$                        |                     |      | 0.4                 | V             |

Note: 1.  $V_{IL}$  min and  $V_{IH}$  max are reference only and are not tested.

**Table 2-4. AC Characteristics**

| Symbol                   | Parameter  | 1.7V      |     | 2.5V, 5.0V |      | Units         |
|--------------------------|--|-----------|-----|------------|------|---------------|
|                          |  | Min       | Max | Min        | Max  |               |
| $f_{SCL}$                | Clock Frequency, SCL   |           | 400 |            | 1000 | kHz           |
| $t_{LOW}$                | Clock Pulse Width Low  | 1.2       |     | 0.4        |      | $\mu\text{s}$ |
| $t_{HIGH}$               | Clock Pulse Width High   | 0.6       |     | 0.4        |      | $\mu\text{s}$ |
| $t_i$                    | Noise Suppression Time <sup>(1)</sup>  |           | 100 |            | 50   | ns            |
| $t_{AA}$                 | Clock Low to Data Out Valid  | 0.1       | 0.9 | 0.05       | 0.55 | $\mu\text{s}$ |
| $t_{BUF}$                | Time the bus must be free before a new transmission can start <sup>(1)</sup> | 1.3       |     | 0.5        |      | $\mu\text{s}$ |
| $t_{HD.STA}$             | Start Hold Time  | 0.6       |     | 0.25       |      | $\mu\text{s}$ |
| $t_{SU.STA}$             | Start Set-up Time  | 0.6       |     | 0.25       |      | $\mu\text{s}$ |
| $t_{HD.DAT}$             | Data In Hold Time  | 0         |     | 0          |      | $\mu\text{s}$ |
| $t_{SU.DAT}$             | Data In Set-up Time  | 100       |     | 100        |      | ns            |
| $t_R$                    | Inputs Rise Time <sup>(1)</sup>  |           | 0.3 |            | 0.3  | $\mu\text{s}$ |
| $t_F$                    | Inputs Fall Time <sup>(1)</sup>  |           | 300 |            | 100  | ns            |
| $t_{SU.STO}$             | Stop Set-up Time   | 0.6       |     | 0.25       |      | $\mu\text{s}$ |
| $t_{DH}$                 | Data Out Hold Time   | 50        |     | 50         |      | ns            |
| $t_{WR}$                 | Write Cycle Time   |           | 5   |            | 5    | ms            |
| Endurance <sup>(1)</sup> | 25°C, Page Mode, 3.3V  | 1,000,000 |     |            |      | Write cycles  |

Note: 1. This parameter is characterized and is not 100% tested.

### 3. Memory Organization

**Atmel AT24MAC402/602, 2K Serial EEPROM:** The 2-Kbit memory array is internally organized as 16 pages of 16 bytes of EEPROM each. Random word addressing requires a 8-bit data word address.

**EUI Address and Serial Number:** The 48-bit EUI address in the AT24MAC402 and the 64-bit EUI address in the AT24MAC602 are located in the extended memory block. In addition, the serial number data is also located in the extended memory block as shown below in [Figure 3-1](#). These EUI-48 or EUI-64 addresses are stored in a dedicated read-only EEPROM memory block located outside the standard 2K memory array as shown below. This means the full standard 2-Kbit EEPROM array is available for use as opposed to solutions where only half of the EEPROM memory array is available for application usage.

**Figure 3-1. Memory Organization**

|  |   |  |
|--|---|--|
| Standard<br>2-Kbit<br>EEPROM<br>Device Address<br>'1010' | First-half<br>Address Range (00h-7Fh)   | Permanent or<br>Reversible Software<br>Write Protection<br>Capable<br><br>or<br>Full Array Hardware<br>Write Protection<br>Capable |
|  | Second-half<br>Address Range (80h-FFh)  | Full Array Hardware<br>Write Protection<br>Capable   |
| Extended<br>Memory<br>Device Address<br>'1011'           | 128-bit Serial Number<br>Address Range (80h-8Fh)                                    | Read-only  |
|  | EUI-48/64 Value<br>EUI-48 Address Range (9Ah-9Fh)<br>EUI-64 Address Range (98h-9Fh) | Read-only  |

The EUI-48 and EUI-64 address fields contain either six or eight bytes respectively. The first three bytes of the EUI read-only address field are called the Organizationally Unique Identifier (OUI) and the IEEE Registration Authority has assigned FCC23Dh as the Atmel, OUI.

Following the OUI, the remaining bytes are called the Extension Identifier and will be either three bytes or five bytes depending on if it is an EUI-48 address (AT24MAC402) or EUI-64 address (AT24MAC602). Atmel generates this unique 24-bit/40-bit data value along with the OUI to guarantee a globally unique EUI address value and programs it at the factory before permanently locking the extended memory region.

### 3.1 EUI-48 Support

The EUI-48 address is stored in the last six bytes of the AT24MAC402's extended memory block as shown in [Table 3-1](#). For information on the protocol to read the EUI-48 value, see ["Device Addressing" on page 10](#) and ["Read Operations" on page 15](#).

**Table 3-1. 48-Bit EUI Address Memory Map Example**

| Description    | 48-Bit EUI |     |     |                             |        |        |
|----------------|------------|-----|-----|-----------------------------|--------|--------|
|                | 24-Bit OUI |     |     | 24-Bit Extension Identifier |        |        |
| Memory Address | 9Ah        | 9Bh | 9Ch | 9Dh                         | 9Eh    | 9Fh    |
| EUI Data Value | FCh        | C2h | 3Dh | Byte 1                      | Byte 2 | Byte 3 |

**Using an EUI-48 Value in an EUI-64 Application:** An EUI-64 compatible value can be generated from the EUI-48 value contained in the AT24MAC402 by concatenating the 24-bit OUI, an FFFEh data value, and the 24-bit Extension Identifier. This is commonly referred to as an Encapsulated EUI-48 value. However, Atmel recommends using the AT24MAC602 which contains a true EUI-64 value so that post read processing is not required by the application.

### 3.2 EUI-64 Support

For applications that utilize an EUI-64 standard, the EUI-64 address is stored in the last eight bytes of the AT24MAC602's extended memory block. Similar to EUI-48, the EUI-64 standard consists of the same three byte OUI coupled with a five byte extension identifier (see [Table 3-2](#)). Atmel generates this unique 40-bit data value coupled with the OUI to guarantee a globally unique 64-bit EUI value and requires no additional data manipulation like other solutions where the application must manually insert a two byte FFFEh value in between the OUI and Extension Identifier. For information on how to read the EUI read protocol, see ["Device Addressing" on page 10](#) and ["Read Operations" on page 15](#).

**Table 3-2. 64-Bit EUI Address Memory Map Example**

| Description    | 64-Bit EUI |     |     |                             |                       |        |        |        |
|----------------|------------|-----|-----|-----------------------------|-----------------------|--------|--------|--------|
|                | 24-Bit OUI |     |     | 40-Bit Extension Identifier |                       |        |        |        |
| Memory Address | 98h        | 99h | 9Ah | 9Bh                         | 9Ch                   | 9Dh    | 9Eh    | 9Fh    |
| EUI Data Value | FCh        | C2h | 3Dh | Byte 1 <sup>(1)</sup>       | Byte 2 <sup>(1)</sup> | Byte 3 | Byte 4 | Byte 5 |

Note: 1. The data values FFFEh and FFFFh are prohibited beginning from the 40-bit Extension Identifier in Byte 1 and Byte 2. These values are reserved for denoting an encapsulated MAC-48 or EUI-48 value for use in an EUI-64 environment.

### 3.3 Non-Atmel OUI Programming Option

For customers with their own IEEE-assigned OUI or Company ID, Atmel offers the time saving option to manage and deliver custom AT24MAC402/602 devices with their EUI-48/64 values uniquely pre-programmed at delivery. Contact your local Atmel Sales Office for additional information.

## 4. Device Operation

**Clock and Data Transitions:** The SDA pin is normally pulled high with an external component such as a pull-up resistor. Data on the SDA pin may change only during SCL low time periods (see [Figure 4-4 on page 9](#)). Data changes during SCL high periods will indicate a Start or Stop condition as defined below.

**Start Condition:** A high-to-low transition of SDA with SCL high is a Start condition which must precede any other command (see [Figure 4-5 on page 9](#)).

**Stop Condition:** A low-to-high transition of SDA with SCL high is a Stop condition. After a read sequence, the stop command will place the EEPROM in a standby power mode (see [Figure 4-5 on page 9](#)).

**Acknowledge:** All addresses and data words are serially transmitted to and from the EEPROM in 8-bit words. The EEPROM sends a zero to acknowledge that it has received each word. This happens during the ninth clock cycle.

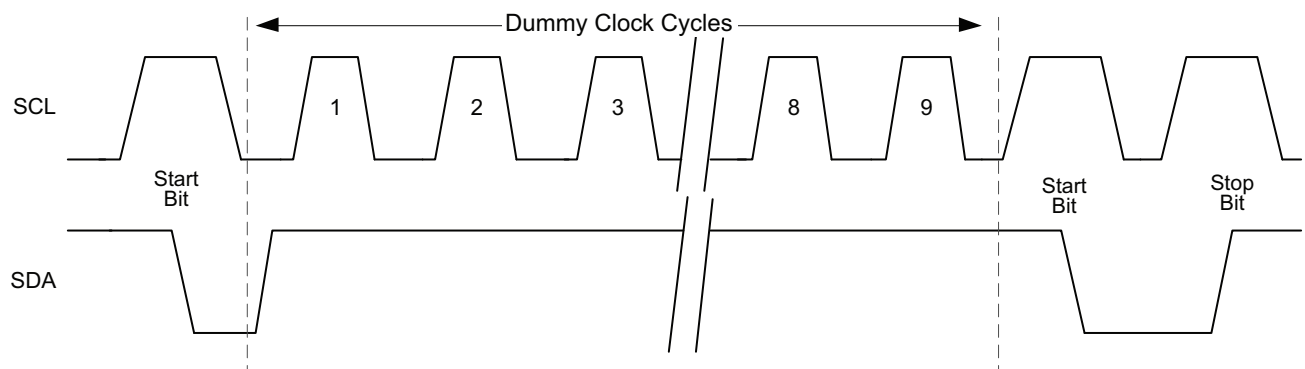
**Standby Mode:** The AT24MAC402/602 features a low-power standby mode which is enabled upon

- Power-up or
- After the receipt of the Stop bit and the completion of any internal operations.

**2-Wire Software Reset:** After an interruption in protocol, power loss or system reset, any 2-wire part can be reset by following these steps:

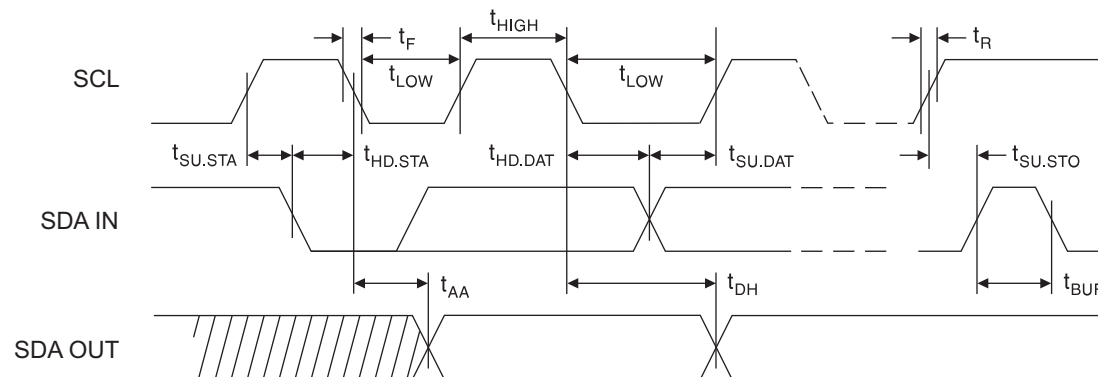
1. Create a start bit condition.
2. Clock nine cycles.
3. Create another start bit followed by Stop bit condition as shown below.

**Figure 4-1. Software Reset**



**Figure 4-2. Bus Timing**

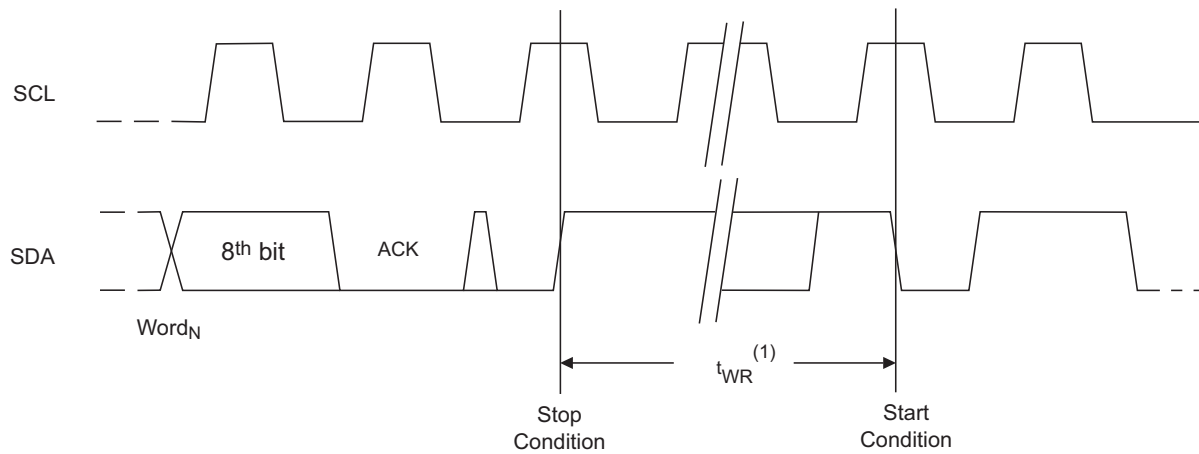
SCL Serial Clock, SDA: Serial Data I/O





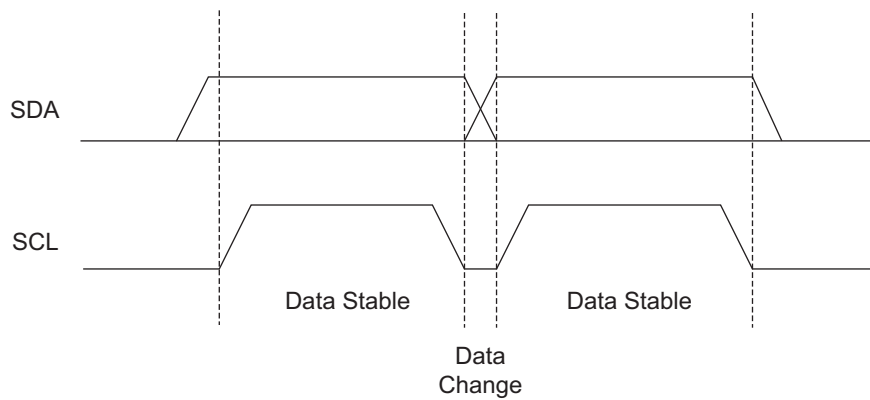
**Figure 4-3. Write Cycle Timing**

SCL Serial Clock, SDA: Serial Data I/O

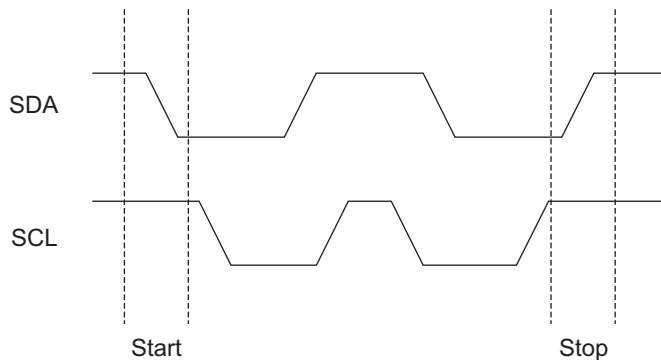


Note: 1. The write cycle time  $t_{WR}$  is the time from a valid Stop condition of a write sequence to the end of the internal clear/write cycle.

**Figure 4-4. Data Validity**



**Figure 4-5. Start and Stop Condition**





**Table 5-1. Device Address**

| Access Area               | Bit 7 | Bit 6 | Bit 5 | Bit 4 | Bit 3          | Bit 2          | Bit 1          | Bit 0 |
|---------------------------|-------|-------|-------|-------|----------------|----------------|----------------|-------|
| EEPROM                    | 1     | 0     | 1     | 0     | A <sub>2</sub> | A <sub>1</sub> | A <sub>0</sub> | R/W   |
| EUI or Serial Number Read | 1     | 0     | 1     | 1     | A <sub>2</sub> | A <sub>1</sub> | A <sub>0</sub> | 1     |

## 6. Write Operations

**Byte Write:** A Byte Write operation requires an 8-bit data word address following the device address word and acknowledgment. Upon receipt of this address, the EEPROM will again acknowledge or respond with a zero and then clock in the first 8-bit data word. Following receipt of the 8-bit data word, the EEPROM will output a zero and the addressing device, such as a microcontroller, must terminate the write sequence with a Stop condition. At this time, the EEPROM enters an internally-timed write cycle,  $t_{WR}$ , to the nonvolatile memory. All inputs are disabled during this write cycle and the EEPROM will not respond until the write is complete (see [Figure 8-1 on page 16](#)). The device will acknowledge a write command, but not write the data if the software or hardware write protection has been enabled. The write cycle time must be observed even when the write protection is enabled.

**Page Write:** The AT24MAC402/602 is capable of a 16-byte Page Write. A Page Write is initiated by the same method as a Byte Write, but the microcontroller does not send a Stop condition after the first data word is clocked in. Instead, after the EEPROM acknowledges receipt of the first data word, the microcontroller can transmit up to fifteen more data words. The EEPROM will respond with a zero after each data word received. The microcontroller must terminate the page write sequence with a Stop condition (see [Figure 8-2 on page 17](#)).

The lower four data word address bits are internally incremented following the receipt of each data word. The higher data word address bits are not incremented, retaining the memory page row location. When the internally generated word address reaches the page boundary, the next byte is placed at the beginning of the same page. If more than sixteen data words are transmitted to the EEPROM, the data word address will roll-over and previous data will be overwritten. The address roll-over during write is from the last byte of the current page to the first byte of the same page. The device will acknowledge a write command, but will not write the data if the software or hardware write protection has been enabled. The write cycle time must be observed even when the write protection is enabled.

**Acknowledge Polling:** Once the internally-timed write cycle has started and the EEPROM inputs are disabled, acknowledge polling can be initiated. This involves sending a Start condition followed by the device address word. The read/write bit is representative of the operation desired. Only if the internal write cycle has completed will the EEPROM respond with a zero allowing the read or write sequence to continue.

## 7. Write Protection

Once enabled, the Software Write Protection write protects only the first-half of the array (00h - 7Fh) while the hardware write protection, via the WP pin, is used to protect the entire array (see [Table 7-1 on page 13](#)).

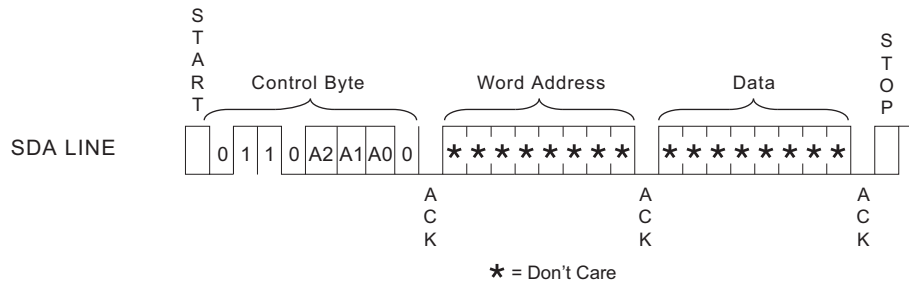
**Permanent Software Write Protection (PSWP):** The Permanent Software Write Protection is enabled by sending a command to the device, similar to a normal write command, which programs the Permanent Write Protect Register. This must be done with the WP pin low. The Write Protect Register is programmed by sending a write command with the device address of '0110' (6h) instead of '1010' (Ah) with the address and data bit(s) being don't cares (see [Figure 7-1 on page 12](#)). The write cycle time must be observed. Once the permanent software write protection has been enabled, the device will no longer acknowledge the '0110' (6h) control byte and cannot be reversed even if the device is powered down. The Permanent Software Write Protection can only be invoked on a SOT23 packaged device with the A2, A1, and A0 bits set to zero.

**Reversible Software Write Protection (RSWP):** The Reversible Software Write Protection is enabled by sending a command to the device, similar to a normal write command, which programs the Reversible Write Protect Register. This must be done with the WP pin low. The Reversible Write Protect Register is programmed by sending a write command '01100010' (62h) with pins A<sub>2</sub> and A<sub>1</sub> tied to ground or not connected and the A<sub>0</sub> pin connected to V<sub>HV</sub> (see [Figure 7-2](#)

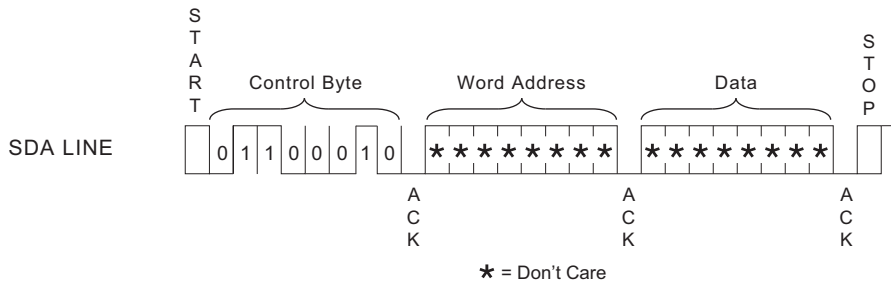
on page 12 and Table 7-2 on page 13). The Reversible Write Protection Register or Write Protection can be reversed by sending a command '01100110' (66h) with the A<sub>2</sub> pin tied to ground or no connect, the A<sub>1</sub> pin tied to V<sub>CC</sub> and the A<sub>0</sub> pin tied to V<sub>HV</sub> (see Figure 7-3 on page 12 and Table 7-2 on page 13). Due to the unavailability of the A<sub>2</sub>, A<sub>1</sub>, and A<sub>0</sub> pins, the Reversible Software Write Protection function is not available on the SOT23 package.

**Hardware Write Protection:** The WP pin can be connected to V<sub>CC</sub>, GND, or left floating. Connecting the WP pin to V<sub>CC</sub> will write protect the entire array regardless of whether or not the Software Write Protection has been enabled or invoked (see Table 7-3 on page 13 and Table 7-4 on page 14). The Software Write Protection Register cannot be programmed when the WP pin is connected to V<sub>CC</sub>. If the WP pin is connected to GND or left floating, the write protection mode is determined by the status of the Software Write Protect Register.

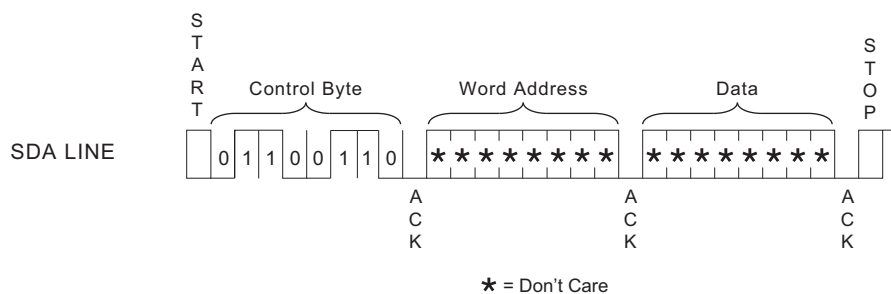
**Figure 7-1. Setting Permanent Write Protect Register (PSWP)**



**Figure 7-2. Setting Reversible Write Protect Register (RSWP)**



**Figure 7-3. Clearing Reversible Write Protect Register (RSWP)**



**Table 7-1. Write Protection**

| Command    | Pin            |                 |                 | Preamble |       |       |       |                |                |                | R/W   |
|------------|----------------|-----------------|-----------------|----------|-------|-------|-------|----------------|----------------|----------------|-------|
|            | A <sub>2</sub> | A <sub>1</sub>  | A <sub>0</sub>  | Bit 7    | Bit 6 | Bit 5 | Bit 4 | Bit 3          | Bit 2          | Bit 1          | Bit 0 |
| Set PSWP   | A <sub>2</sub> | A <sub>1</sub>  | A <sub>0</sub>  | 0        | 1     | 1     | 0     | A <sub>2</sub> | A <sub>1</sub> | A <sub>0</sub> | 0     |
| Set RSWP   | 0              | 0               | V <sub>HV</sub> | 0        | 1     | 1     | 0     | 0              | 0              | 1              | 0     |
| Clear RSWP | 0              | V <sub>CC</sub> | V <sub>HV</sub> | 0        | 1     | 1     | 0     | 0              | 1              | 1              | 0     |

**Table 7-2. V<sub>HV</sub>**

|                 | Min | Max | Units |
|-----------------|-----|-----|-------|
| V <sub>HV</sub> | 7   | 10  | V     |

Note:  $V_{HV} - V_{CC} > 4.8V$

**Table 7-3. WP Connected to GND or Floating**

| WP Connected to GND or Floating |         |                                       |  |                      |  |
|---------------------------------|---------|---------------------------------------|--|----------------------|--|
| Command                         | R/W Bit | Permanent Write Protect Register PSWP | Reversible Write Protect Register RSWP | Response from Device | Action from Device   |
| 1010                            | R       | X                                     | X                                      | ACK                  | Read Array.  |
| 1010                            | W       | Programmed                            | X                                      | ACK                  | Can write to second-half (80h - FFh) only.                             |
| 1010                            | W       | X                                     | Programmed                             | ACK                  | Can write to second-half (80h - FFh) only.                             |
| 1010                            | W       | Not Programmed                        | Not Programmed                         | ACK                  | Can write to full array.   |
| Read PSWP                       | R       | Programmed                            | X                                      | No ACK               | STOP – Indicates Permanent Write Protect Register is programmed.       |
| Read PSWP                       | R       | Not Programmed                        | X                                      | ACK                  | Data read out is undefined. Indicates PSWP Register is not programmed. |
| Set PSWP                        | W       | Programmed                            | X                                      | No ACK               | STOP – Indicates Permanent Write Protect Register is programmed.       |
| Set PSWP                        | W       | Not Programmed                        | X                                      | ACK                  | Program Permanent Write Protect Register (irreversible).               |
| Read RSWP                       | R       | X                                     | Programmed                             | No ACK               | STOP – Indicates Reversible Write Protect Register is programmed.      |
| Read RSWP                       | R       | X                                     | Not Programmed                         | ACK                  | Data read out is undefined. Indicates RSWP Register is not programmed. |
| Set RSWP                        | W       | X                                     | Programmed                             | No ACK               | STOP – Indicates Reversible Write Protect Register is programmed.      |
| Set RSWP                        | W       | X                                     | Not Programmed                         | ACK                  | Program Reversible Write Protect Register (reversible).                |
| Clear RSWP                      | W       | Programmed                            | X                                      | No ACK               | STOP – Indicates Permanent Write Protect Register is programmed.       |
| Clear RSWP                      | W       | Not Programmed                        | X                                      | ACK                  | Clear (unprogram) Reversible Write Protect Register (reversible).      |

**Table 7-4. WP Connected to V<sub>CC</sub>**

| WP Connected to V <sub>CC</sub> |         |                                       |  |                      |  |
|---------------------------------|---------|---------------------------------------|--|----------------------|--|
| Command                         | R/W Bit | Permanent Write Protect Register PSWP | Reversible Write Protect Register RSWP | Response from Device | Action from Device   |
| 1010                            | R       | X                                     | X                                      | ACK                  | Read array.  |
| 1010                            | W       | X                                     | X                                      | ACK                  | Device is write protected.   |
| Read PSWP                       | R       | Programmed                            | X                                      | No ACK               | STOP – Indicates pErmanent Write Protect Register is programmed.       |
| Read PSWP                       | R       | Not Programmed                        | X                                      | ACK                  | Data read out is undefined. Indicates PSWP Register is not programmed. |
| Set PSWP                        | W       | Programmed                            | X                                      | No ACK               | STOP – Indicates Permanent Write Protect Register is programmed.       |
| Set PSWP                        | W       | Not Programmed                        | X                                      | ACK                  | Cannot program write protect registers.                                |
| Read RSWP                       | R       | X                                     | Programmed                             | No ACK               | STOP – Indicates Reversible Write Protect Register is programmed.      |
| Read RSWP                       | R       | X                                     | Not Programmed                         | ACK                  | Data read out is undefined. Indicates RSWP Register is not programmed. |
| Set RSWP                        | W       | X                                     | Programmed                             | No ACK               | STOP – Indicates Reversible Write Protect Register is programmed.      |
| Set RSWP                        | W       | X                                     | Not Programmed                         | ACK                  | Cannot program write protect registers.                                |
| Clear RSWP                      | W       | Programmed                            | X                                      | No ACK               | STOP – Indicates Permanent Write Protect Register is programmed.       |
| Clear RSWP                      | W       | Not Programmed                        | X                                      | ACK                  | Cannot write to write protect registers.                               |

## 8. Read Operations

Read operations are initiated the same way as write operations with the exception that the read/write select bit in the device address word is set to one. There are three types of read operations:

- Current Address Read
- Random Address Read
- Sequential Read

**Current Address Read:** The internal data word address counter maintains the last address accessed during the last read or write operation, incremented by one. This address stays valid between operations as long as  $V_{CC}$  to the chip is maintained. The address roll-over during read is from the last byte of the last memory page to the first byte of the first page.

Once the device address with the read/write select bit set to one is clocked in and acknowledged by the EEPROM, the current address data word is serially clocked out. To end the command, the microcontroller does not respond with a zero but does generate a Stop condition in the subsequent clock cycle (see [Figure 8-3 on page 17](#)).

**Random Read:** A random read requires a dummy byte write sequence to load in the data word address. Once the device address word and data word address are clocked in and acknowledged by the EEPROM, the microcontroller must generate another Start condition. The microcontroller now initiates a current address read by sending a device address with the read/write select bit high. The EEPROM acknowledges the device address and serially clocks out the data word. To end the random read sequence, the microcontroller does not respond with a zero but does generate a Stop condition in the subsequent clock cycle (see [Figure 8-4 on page 17](#)).

**Sequential Read:** Sequential reads are initiated by either a current address read or a random address read. After the microcontroller receives a data word, it responds with an acknowledge. As long as the Serial EEPROM receives an acknowledge, it will continue to increment the data word address and serially clock out sequential data words. When the memory address limit is reached, the data word address will “roll over” and the sequential read will continue. The sequential read operation is terminated when the microcontroller does not respond with a zero but does generate a following Stop condition in the subsequent clock cycle (see [Figure 8-5 on page 17](#)).

**Serial Number Read:** Reading the serial number is similar to the sequential read sequence but requires use of a different device address value as shown in [Figure 8-6 on page 18](#), followed by a dummy write, and the use of a specific word address.

Note: The entire 128-bit value must be read from the starting address of the serial number block to guarantee a unique number.

Since the address pointer of the device is shared between the regular EEPROM array and the serial number block, a dummy write sequence should be performed to ensure the address pointer is set to zero. Random reads of the serial number block are supported but if the previous operation was to the EEPROM array, the address pointer will retain the last location accessed, incremented by one. Reading the serial number from a location other than the first address of the block will not result in a unique serial number.

Additionally, the most-significant four bits of the word address must be `'1000'` (8h). Thus, if the application desires to read the pre-programmed serial number, then the corresponding word address input would be 80h. If a word address other than 80h is used, then the device will output undefined data.

**EUI Address Read:** Reading the EUI address is very similar to the Serial Number read sequence with the exceptions of the starting word address and the amount of data bytes clocked out (see [Figure 8-7 on page 18](#)). The EUI read sequence requires use of the device address values as shown in [Table 8-1 on page 16](#), followed by a dummy write, and the use of a specific word address from [Figure 3-1 on page 7](#) for EUI-48 standard or [Figure 3-2 on page 7](#) for EUI-64 standard.

Note: The entire six byte (EUI-48) or eight byte (EUI-64) values must be read from the respective starting address of either 9Ah (for EUI-48) or 98h (for EUI-64) to guarantee a unique EUI data value.

Since the address pointer of the device is shared between the regular EEPROM array, the serial number block, and the EUI block, a dummy write sequence should be performed to ensure the address pointer is set to the correct starting EUI-48 or EUI-64 address. Random reads of the EUI block are supported, but if the previous operation was to the EEPROM array or to the serial number block, the address pointer will retain the last location accessed, incremented by one. Reading the EUI data from a location other than the correct starting EUI address of the block will not result in a unique EUI data value.

Additionally, the most-significant four bits of the word address must be '1001' (9h). Therefore, if the application desires to read the pre-programmed EUI value, then the corresponding word address input would be 9Ah in the AT24MAC402 and 98h for the AT24MAC602. If a word address other than 9Ah or 98h respectively is used, the device will output undefined data.

Once the EUI block of six or eight bytes of data have been clocked out of the device, the EUI read operation will end when the microcontroller does not respond with a zero or acknowledge, but then creates a Stop condition. It is important to note that the data word address will not roll-over back to the beginning of the respective EUI starting address. If the read operation continues past the last EUI data value, the data word address will roll-over back to the beginning of the extended memory block where the 128-bit serial number will begin to read out. Therefore, every EUI read sequence attempt requires a valid starting address in the dummy write sequence as shown in [Figure 8-7 on page 18](#).

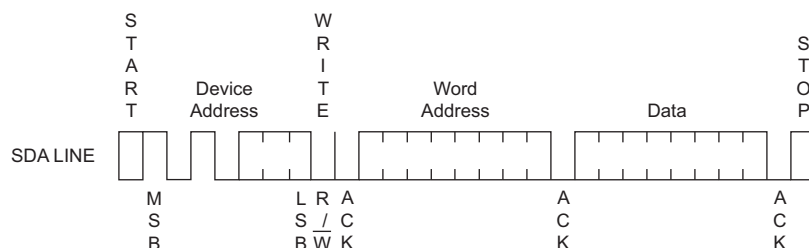
**Checking the Permanent Write Protect Register (PSWP) Status:** Determining the status of the Permanent Write Protect Register can be accomplished by sending a similar command to the device as was used when programming the register, except the R/W bit must be set to one. If the device responds with an acknowledge, the Permanent Write Protect Register has not been programmed; otherwise, it has been programmed and the first-half of the array is permanently write protected.

**Checking the Reversible Write Protect Register (RSWP) Status:** Determining the status of the Reversible Write Protect Register can be accomplished by sending a similar command to the device as was used when programming the register, except the R/W bit must be set to one. If the device returns an acknowledge, the Reversible Write Protect Register has not been programmed; otherwise, it has been programmed and the first-half of the array is write protected, but remains reversible.

**Table 8-1. PSWP and RSWP Status**

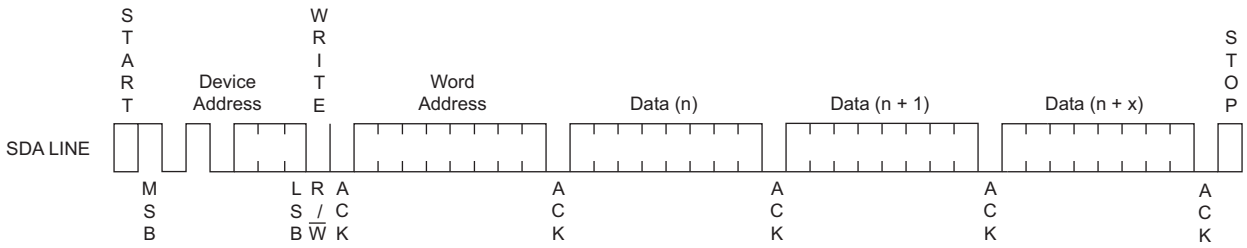
| Command   | Pin            |                |                | Preamble |       |       |       |                |                |                | R/W   |
|-----------|----------------|----------------|----------------|----------|-------|-------|-------|----------------|----------------|----------------|-------|
|           | A <sub>2</sub> | A <sub>1</sub> | A <sub>0</sub> | Bit 7    | Bit 6 | Bit 5 | Bit 4 | Bit 3          | Bit 2          | Bit 1          | Bit 0 |
| Read PSWP | A <sub>2</sub> | A <sub>1</sub> | A <sub>0</sub> | 0        | 1     | 1     | 0     | A <sub>2</sub> | A <sub>1</sub> | A <sub>0</sub> | 1     |
| Read RSWP | 0              | 0              | A <sub>0</sub> | 0        | 1     | 1     | 0     | 0              | 0              | 1              | 1     |

**Figure 8-1. Byte Write**

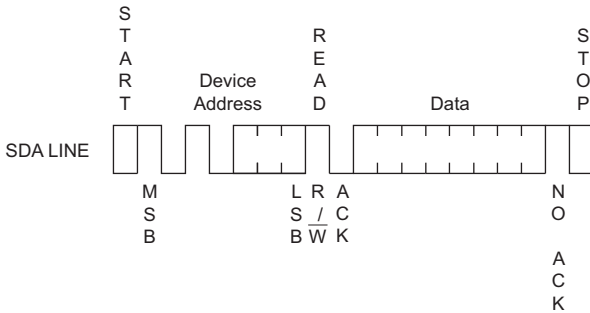




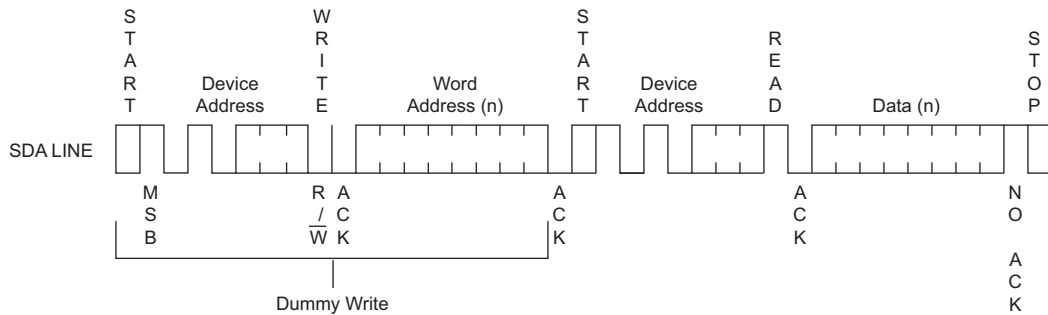
**Figure 8-2. Page Write**



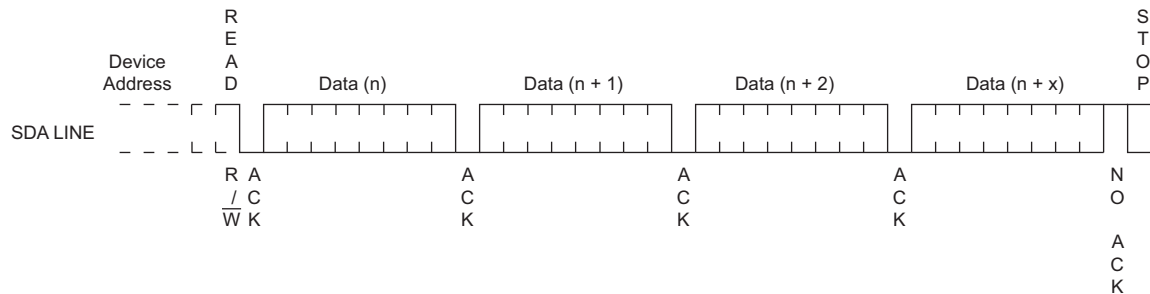
**Figure 8-3. Current Address Read**



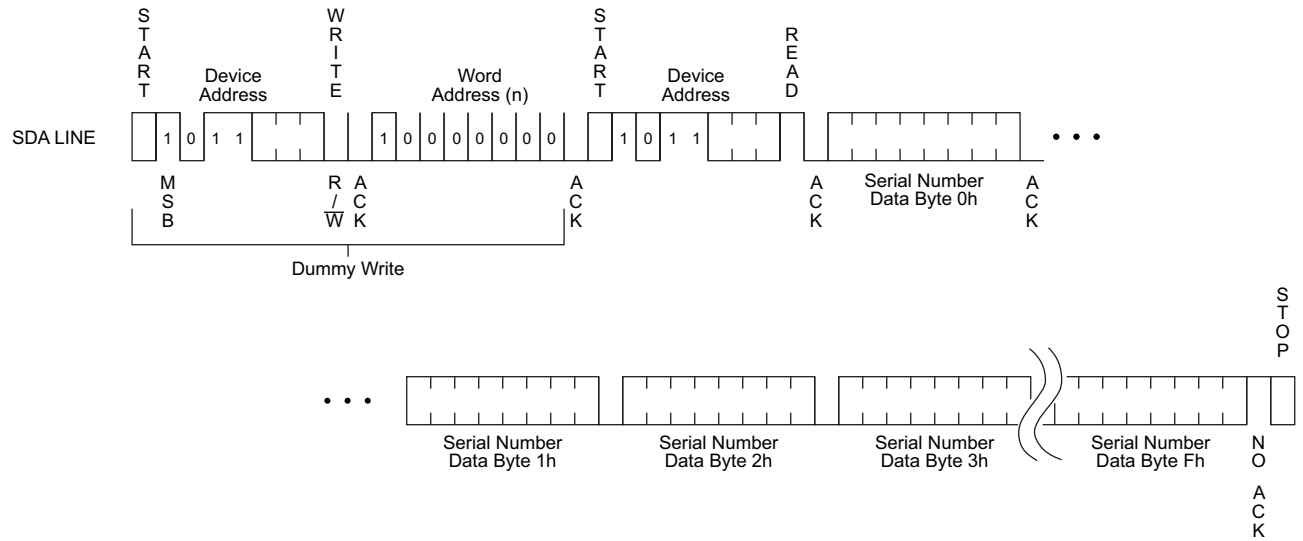
**Figure 8-4. Random Read**



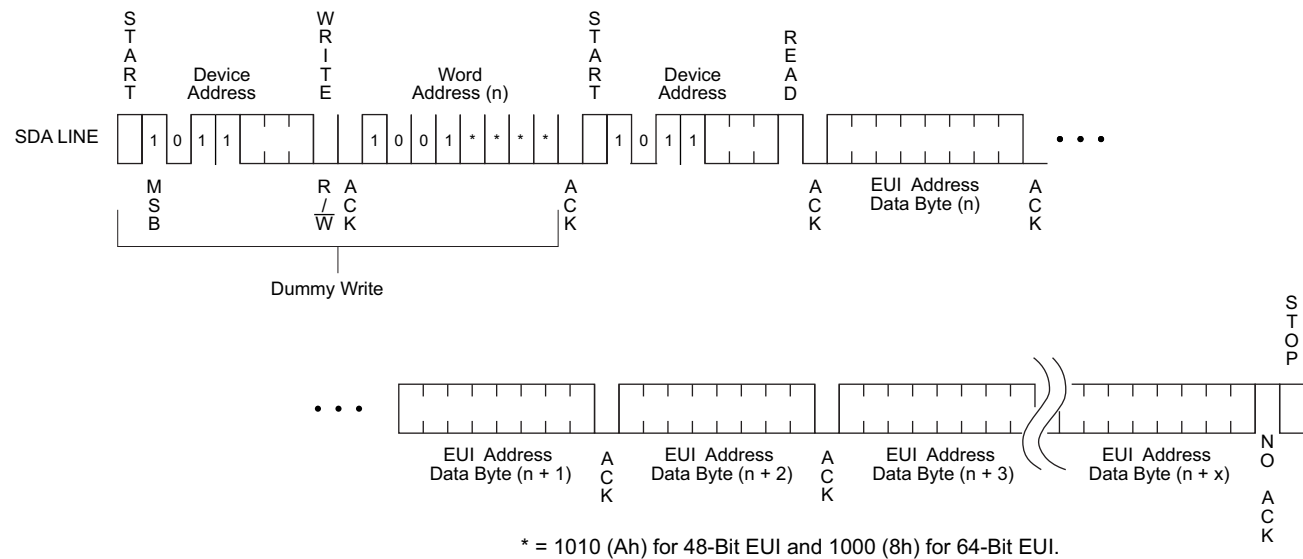
**Figure 8-5. Sequential Read**



**Figure 8-6. Serial Number Read**

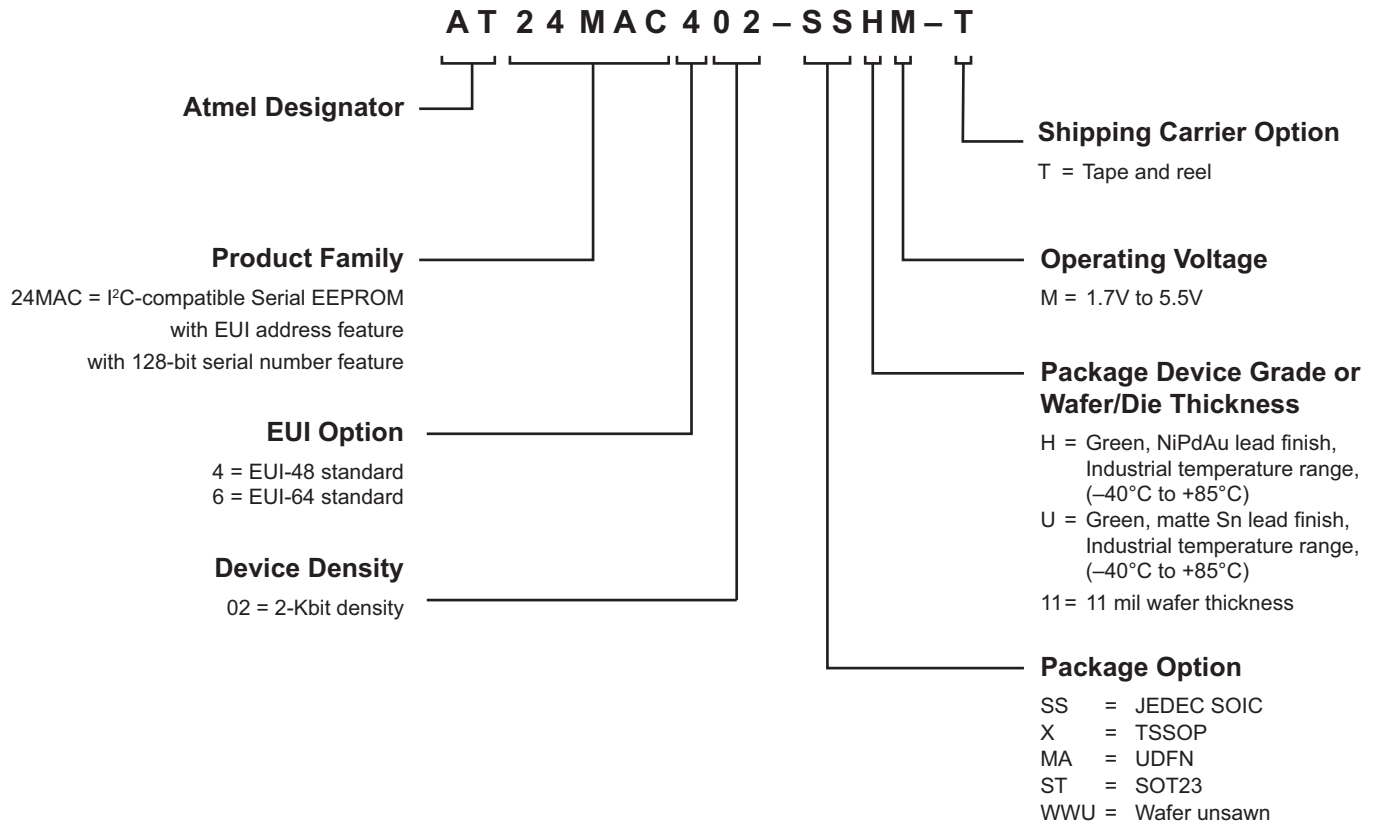


**Figure 8-7. EUI Address Read**



## 9. Ordering Information

### 9.1 Ordering Code Detail



## 9.2 Atmel AT24MAC402 Ordering Codes

Programming of IEEE assigned customer OUIs (non-Atmel OUIs) in conjunction with specific blocks of EUI-48 values is available. Please contact Atmel for more details.

Additional package types that are not listed may be available. Please contact Atmel for more details.

| Atmel Ordering Codes                                  | Package    | Voltage      | Operation Range  |
|---|------------|--------------|--|
| AT24MAC402-SSHM-T <sup>(1)</sup> (NiPdAu lead finish) | 8S1        | 1.7V to 5.5V | Lead-free/Halogen-free/<br>Industrial Temperature<br>(-40°C to 85°C) |
| AT24MAC402-XHM-T <sup>(1)</sup> (NiPdAu lead finish)  | 8X         |              |  |
| AT24MAC402-MAHM-T <sup>(1)</sup> (NiPdAu lead finish) | 8MA2       |              |  |
| AT24MAC402-STUM-T <sup>(1)</sup>                      | 5TS1       |              |  |
| AT24MAC402-WWU11M <sup>(2)</sup>                      | Wafer Sale |              | Industrial Temperature<br>(-40°C to 85°C)                            |

- Notes:
- T = Tape and reel
    - SOIC = 4K per reel
    - TSSOP, UDFN, and SOT23 = 5K per reel
  - For wafer sales, please contact Atmel Sales.

| Package Type |   |
|--------------|---|
| <b>8S1</b>   | 8-lead, 0.150" wide, Plastic Gull Wing Small Outline (JEDEC SOIC)         |
| <b>8X</b>    | 8-lead, 0.170" wide, Thin Shrink Small Outline (TSSOP)                    |
| <b>8MA2</b>  | 8-pad, 2.00mm x 3.00mm body, 0.50mm pitch, Ultra Thin Dual No Lead (UDFN) |
| <b>5TS1</b>  | 5-lead, 2.90mm x 1.60mm body, Plastic Thin Shrink Small Outline (SOT23)   |

### 9.3 Atmel AT24MAC602 Ordering Codes

Programming of IEEE assigned customer OUIs (non-Atmel OUIs) in conjunction with specific blocks of EUI-64 values is available. Please contact Atmel for more details.

Additional package types that are not listed may be available. Please contact Atmel for more details.

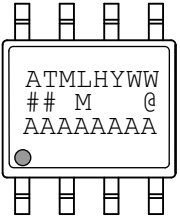

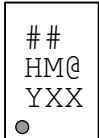
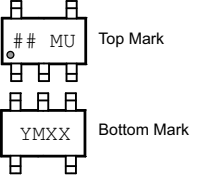
| Atmel Ordering Codes                                 | Package    | Voltage      | Operation Range  |
|--|------------|--------------|--|
| AT24MAC602-SSHMT <sup>(1)</sup> (NiPdAu lead finish) | 8S1        | 1.7V to 5.5V | Lead-free/Halogen-free/<br>Industrial Temperature<br>(−40°C to 85°C) |
| AT24MAC602-XHMT <sup>(1)</sup> (NiPdAu lead finish)  | 8X         |              |  |
| AT24MAC602-MAHMT <sup>(1)</sup> (NiPdAu lead finish) | 8MA2       |              |  |
| AT24MAC602-STUMT <sup>(1)</sup>                      | 5TS1       |              |  |
| AT24MAC602-WWU11M <sup>(2)</sup>                     | Wafer Sale |              | Industrial Temperature<br>(−40°C to 85°C)                            |

- Notes:
- T = Tape and reel
    - SOIC = 4K per reel
    - TSSOP, UDFN and SOT23 = 5K per reel
  - For wafer sales, please contact Atmel Sales.

| Package Type |   |
|--------------|---|
| <b>8S1</b>   | 8-lead, 0.150" wide, Plastic Gull Wing Small Outline (JEDEC SOIC)         |
| <b>8X</b>    | 8-lead, 0.170" wide, Thin Shrink Small Outline (TSSOP)                    |
| <b>8MA2</b>  | 8-pad, 2.00mm x 3.00mm body, 0.50mm pitch, Ultra Thin Dual No Lead (UDFN) |
| <b>5TS1</b>  | 5-lead, 2.90mm x 1.60mm body, Plastic Thin Shrink Small Outline (SOT23)   |

# 10. Part Markings


## AT24MAC402 and AT24MAC602: Package Marking Information

|  |  |
|--|--|
| <b>8-lead SOIC</b><br><br>                      | <b>8-lead TSSOP</b><br><br>  |
| <b>8-lead UDFN</b><br>2.0 x 3.0 mm Body<br><br> | <b>5-lead SOT-23</b><br><br> |

Note 1: ● designates pin 1  
 Note 2: Package drawings are not to scale

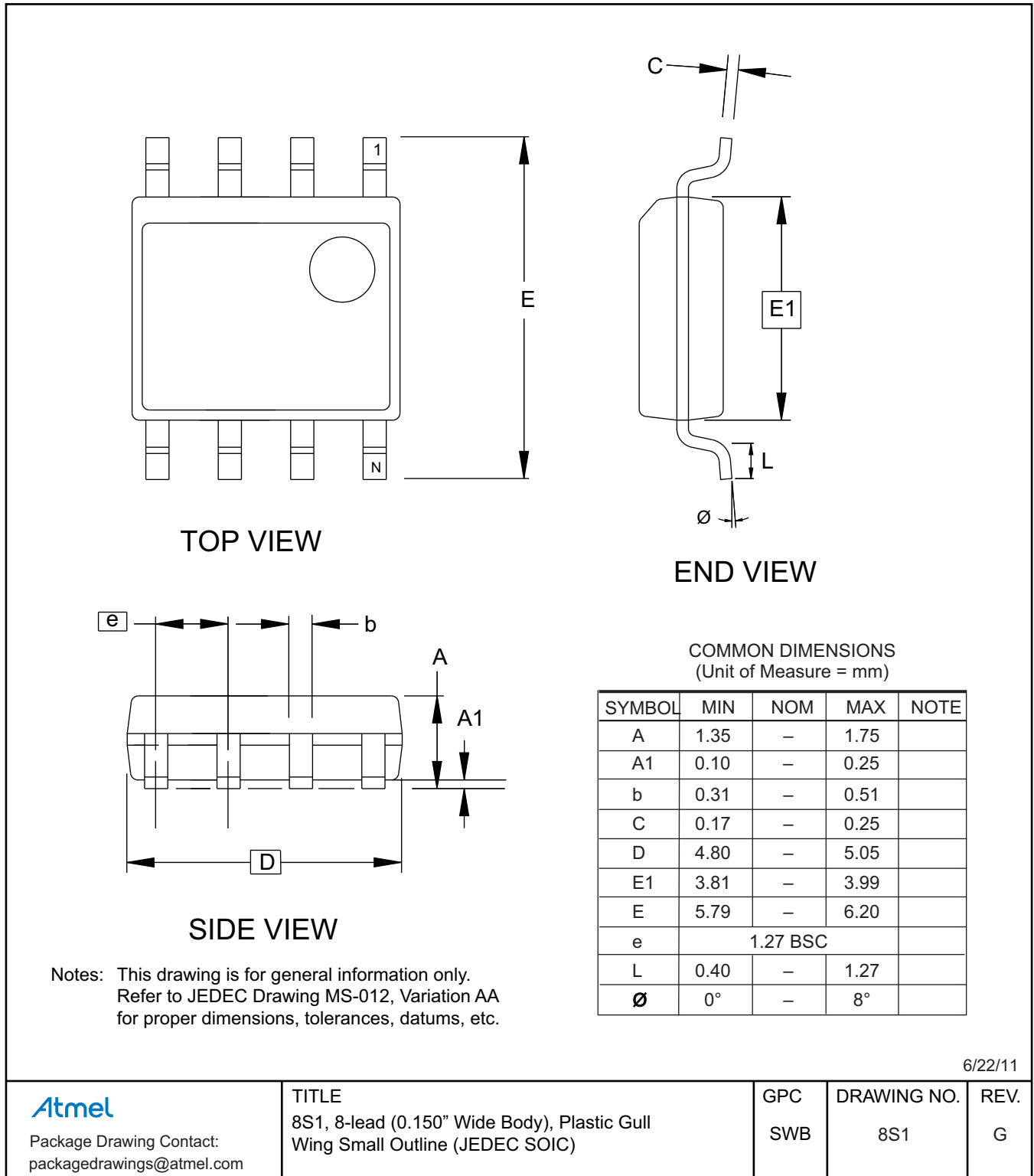
|   |             |                                  |  |   |
|---|-------------|----------------------------------|--|---|
| <b>Catalog Number Truncation</b>  |             |                                  |  |   |
| AT24MAC402  |             | Truncation Code ##: P4           |  |   |
| AT24MAC602  |             | Truncation Code ##: P6           |  |   |
| <b>Date Codes</b>   |             |                                  |  | <b>Voltages</b>                                 |
| Y = Year  | M = Month   | WW = Work Week of Assembly       |  | M: 1.7V min                                     |
| 2: 2012    6: 2016  | A: January  | 02: Week 2                       |  |   |
| 3: 2013    7: 2017  | B: February | 04: Week 4                       |  |   |
| 4: 2014    8: 2018  | ...         | ...                              |  |   |
| 5: 2015    9: 2019  | L: December | 52: Week 52                      |  |   |
| <b>Country of Assembly</b>  |             | <b>Lot Number</b>                |  | <b>Grade/Lead Finish Material</b>               |
| @ = Country of Assembly   |             | AAA...A = Atmel Wafer Lot Number |  | H: Industrial/NiPdAu<br>U: Industrial/Matte Tin |
| <b>Trace Code</b>   |             |                                  |  | <b>Atmel Truncation</b>                         |
| XX = Trace Code (Atmel Lot Numbers Correspond to Code)<br>Example: AA, AB... YZ, ZZ |             |                                  |  | AT: Atmel<br>ATM: Atmel<br>ATML: Atmel          |

4/3/12

|   |  |                                       |                  |
|---|--|---------------------------------------|------------------|
| <br>Package Mark Contact:<br>DL-CSO-Assy_eng@atmel.com | <b>TITLE</b><br>24MAC402-602SM, AT24MAC402 and AT24MAC602<br>Package Marking Information | <b>DRAWING NO.</b><br>24MAC402-602CSM | <b>REV.</b><br>C |
|   |  |                                       |                  |

# 11. Packaging Information

## 11.1 8S1 — 8-lead JEDEC SOIC



6/22/11



Package Drawing Contact:  
packagedrawings@atmel.com

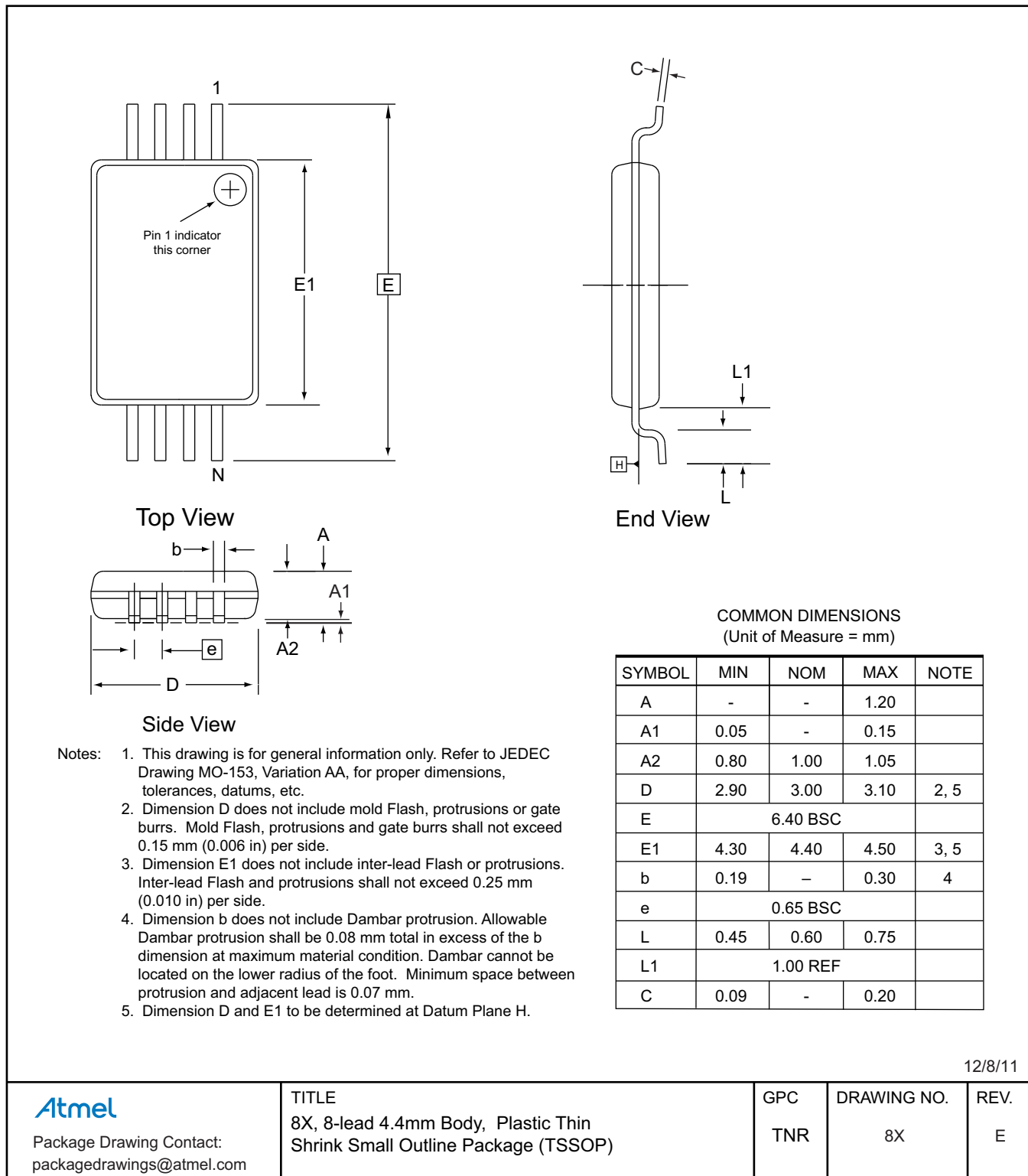
TITLE  
8S1, 8-lead (0.150" Wide Body), Plastic Gull  
Wing Small Outline (JEDEC SOIC)

GPC  
SWB

DRAWING NO.  
8S1

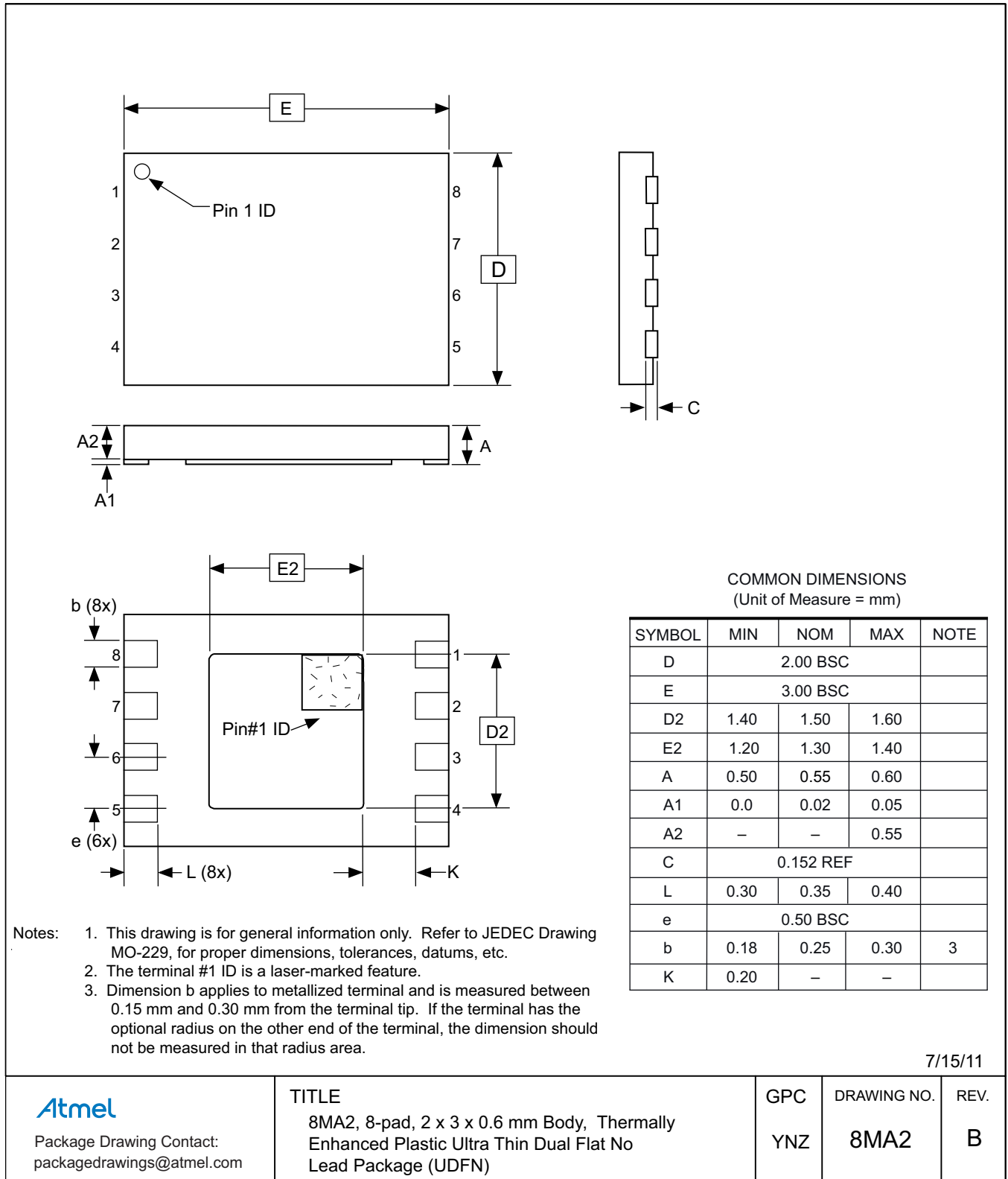
REV.  
G

## 11.2 8X — 8-lead TSSOP

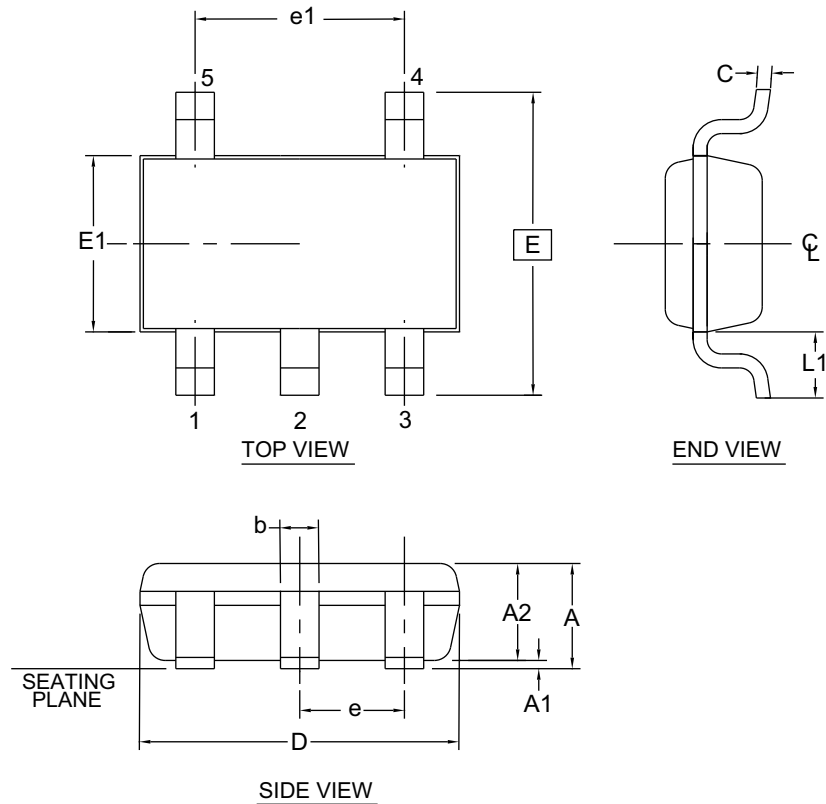




### 11.3 8MA2 — 8-pad UDFN



## 11.4 5TS1 — 5-lead SOT23



1. Dimension D does not include mold flash, protrusions or gate burrs. Mold flash, protrusions or gate burrs shall not exceed 0.15 mm per end. Dimension E1 does not include interlead flash or protrusion. Interlead flash or protrusion shall not exceed 0.15 mm per side.
2. The package top may be smaller than the package bottom. Dimensions D and E1 are determined at the outermost extremes of the plastic body exclusive of mold flash, tie bar burrs, gate burrs and interlead flash, but including any mismatch between the top and bottom of the plastic body.
3. These dimensions apply to the flat section of the lead between 0.08 mm and 0.15 mm from the lead tip.
4. Dimension "b" does not include dambar protrusion. Allowable dambar protrusion shall be 0.08 mm total in excess of the "b" dimension at maximum material condition. The dambar cannot be located on the lower radius of the foot. Minimum space between protrusion and an adjacent lead shall not be less than 0.07 mm.

This drawing is for general information only. Refer to JEDEC Drawing MO-193, Variation AB for additional information.

COMMON DIMENSIONS  
(Unit of Measure = mm)

| SYMBOL | MIN      | NOM  | MAX  | NOTE |
|--------|----------|------|------|------|
| A      | -        | -    | 1.00 |      |
| A1     | 0.00     | -    | 0.10 |      |
| A2     | 0.70     | 0.90 | 1.00 |      |
| c      | 0.08     | -    | 0.20 | 3    |
| D      | 2.90 BSC |      |      | 1,2  |
| E      | 2.80 BSC |      |      | 1,2  |
| E1     | 1.60 BSC |      |      | 1,2  |
| L1     | 0.60 REF |      |      |      |
| e      | 0.95 BSC |      |      |      |
| e1     | 1.90 BSC |      |      |      |
| b      | 0.30     | -    | 0.50 | 3,4  |

5/31/12

**Atmel**

Package Drawing Contact:  
packagedrawings@atmel.com

TITLE

5TS1, 5-lead 1.60mm Body, Plastic Thin  
Shrink Small Outline Package (Shrink SOT)

GPC

TSZ

DRAWING NO.

5TS1

REV.

D

## 12. Revision History

| Doc.rev. | Date    | Description               |
|----------|---------|---------------------------|
| 8807A    | 06/2012 | Initial document release. |



Enabling Unlimited Possibilities®

**Atmel Corporation**

1600 Technology Drive  
San Jose, CA 95110  
USA

**Tel:** (+1) (408) 441-0311

**Fax:** (+1) (408) 487-2600

[www.atmel.com](http://www.atmel.com)

**Atmel Asia Limited**

Unit 01-5 & 16, 19F  
BEA Tower, Millennium City 5  
418 Kwun Tong Roa  
Kwun Tong, Kowloon  
HONG KONG

**Tel:** (+852) 2245-6100

**Fax:** (+852) 2722-1369

**Atmel Munich GmbH**

Business Campus  
Parkring 4  
D-85748 Garching b. Munich  
GERMANY

**Tel:** (+49) 89-31970-0

**Fax:** (+49) 89-3194621

**Atmel Japan G.K.**

16F Shin-Osaki Kangyo Bldg  
1-6-4 Osaki, Shinagawa-ku  
Tokyo 141-0032  
JAPAN

**Tel:** (+81) (3) 6417-0300

**Fax:** (+81) (3) 6417-0370

© 2012 Atmel Corporation. All rights reserved. / Rev.: 8807A-SEEPR-6/12

Atmel®, Atmel logo and combinations thereof, Enabling Unlimited Possibilities®, and others are registered trademarks or trademarks of Atmel Corporation or its subsidiaries. Other terms and product names may be trademarks of others.

Disclaimer: The information in this document is provided in connection with Atmel products. No license, express or implied, by estoppel or otherwise, to any intellectual property right is granted by this document or in connection with the sale of Atmel products. EXCEPT AS SET FORTH IN THE ATMEL TERMS AND CONDITIONS OF SALES LOCATED ON THE ATMEL WEBSITE, ATMEL ASSUMES NO LIABILITY WHATSOEVER AND DISCLAIMS ANY EXPRESS, IMPLIED OR STATUTORY WARRANTY RELATING TO ITS PRODUCTS INCLUDING, BUT NOT LIMITED TO, THE IMPLIED WARRANTY OF MERCHANTABILITY, FITNESS FOR A PARTICULAR PURPOSE, OR NON-INFRINGEMENT. IN NO EVENT SHALL ATMEL BE LIABLE FOR ANY DIRECT, INDIRECT, CONSEQUENTIAL, PUNITIVE, SPECIAL OR INCIDENTAL DAMAGES (INCLUDING, WITHOUT LIMITATION, DAMAGES FOR LOSS AND PROFITS, BUSINESS INTERRUPTION, OR LOSS OF INFORMATION) ARISING OUT OF THE USE OR INABILITY TO USE THIS DOCUMENT, EVEN IF ATMEL HAS BEEN ADVISED OF THE POSSIBILITY OF SUCH DAMAGES. Atmel makes no representations or warranties with respect to the accuracy or completeness of the contents of this document and reserves the right to make changes to specifications and products descriptions at any time without notice. Atmel does not make any commitment to update the information contained herein. Unless specifically provided otherwise, Atmel products are not suitable for, and shall not be used in, automotive applications. Atmel products are not intended, authorized, or warranted for use as components in applications intended to support or sustain life.