

**4-CHANNEL BTL MOTOR DRIVER FOR CD-ROM/DVD****AZ5954****General Description**

The AZ5954 is a four-channel BTL driver IC for driving the motors and actuators in products such as CD-ROM and DVD. Two of the channels use current feedback to minimize the current phase shift caused by the influence of load inductance. The IC is used in CD-ROM drivers and DVD drivers, etc.

The AZ5954 is available in HSOP-28 package.

Features

- Wide Dynamic Range (3.9V(Typ.) When $V_{CC} = 12V$, $PV_{CC}=5V$ and $R_L=8\Omega$)
- Level Shift Circuit On Chip
- Thermal Shutdown Circuit On Chip
- Internal Standby Mode

Applications

- CD-ROM Driver
- DVD Driver



Figure 1. Package Type of AZ5954



4-CHANNEL BTL MOTOR DRIVER FOR CD-ROM/DVD

AZ5954

Pin Configuration

M Package
(HSOP-28)

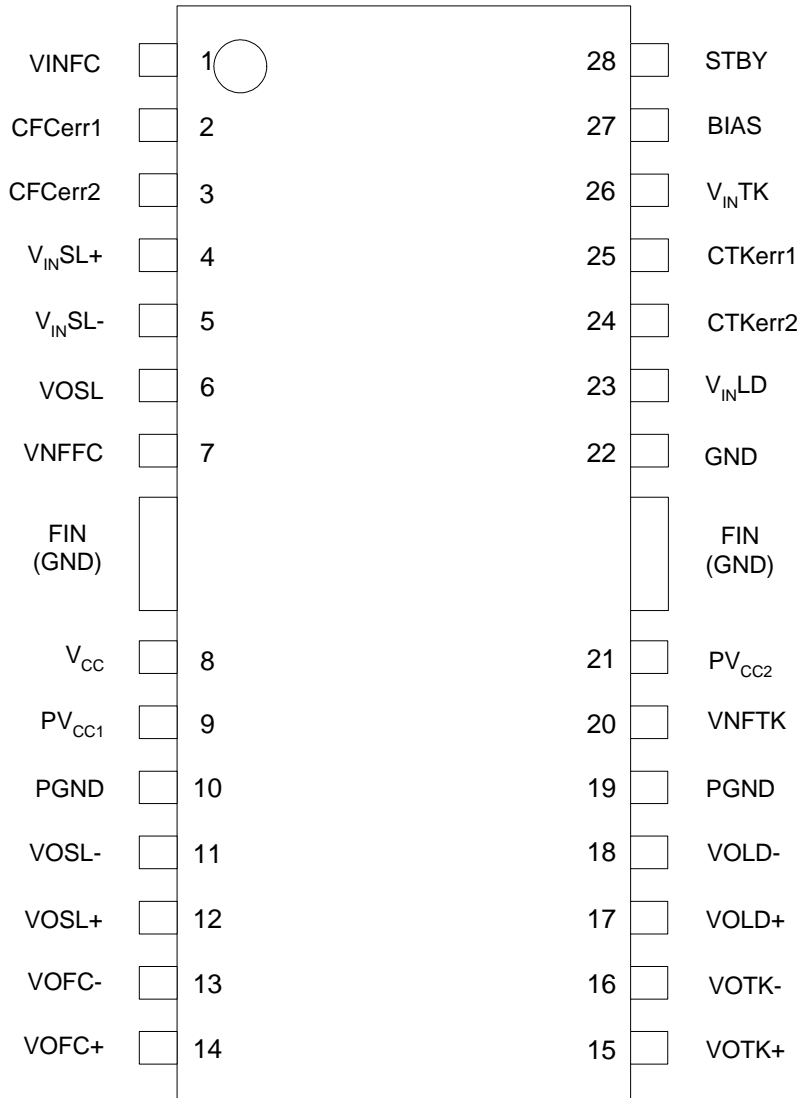


Figure 2. Pin Configuration of AZ5954 (Top View)

**4-CHANNEL BTL MOTOR DRIVER FOR CD-ROM/DVD****AZ5954****Pin Description (Note 1)**

Pin Number	Pin Name	Function
1	VINFC	Focus driver input
2	CFCerr1	For connection of capacitor for the error amp filter
3	CFCerr2	For connection of capacitor for the error amp filter
4	V _{INSL+}	Op Amp input (+) for the sled driver
5	V _{INSL-}	Op Amp input (-) for the sled driver
6	VOSL	Op Amp output for the sled driver
7	VNFFC	Focus driver feedback pin
8	V _{CC}	Supply voltage
9	PV _{CC1}	Power supply voltage for sled driver block
10	PGND	Ground for sled driver block
11	VOSL-	Sled driver output (-)
12	VOSL+	Sled driver output (+)
13	VOFC-	Focus driver output (-)
14	VOFC+	Focus driver output (+)
15	VOTK+	Tracking driver output (+)
16	VOTK-	Tracking driver output (-)
17	VOLD+	Loading driver output (+)
18	VOLD-	Loading driver output (-)
19	PGND	Ground for actuator driver block
20	VNFTK	Tracking driver feedback pin
21	PV _{CC2}	Power supply voltage for actuator driver block
22	GND	Ground
23	V _{INLD}	Loading driver input
24	CTKerr2	For connection of capacitor for the error amp filter
25	CTKerr1	For connection of capacitor for the error amp filter
26	V _{INTK}	Tracking driver input
27	BIAS	Bias input
28	STBY	Standby control

Note 1: The indicated polarities for the output pin are for when all inputs are (+).

The output H bridge power supply pins are PV_{CC2} for the focus, tracking channel, PV_{CC1} for the loading channel, and V_{CC} for the pre-block and sled channel.

Always ensure that $V_{CC} \geq PV_{CC}$.



4-CHANNEL BTL MOTOR DRIVER FOR CD-ROM/DVD

AZ5954

Functional Block Diagram

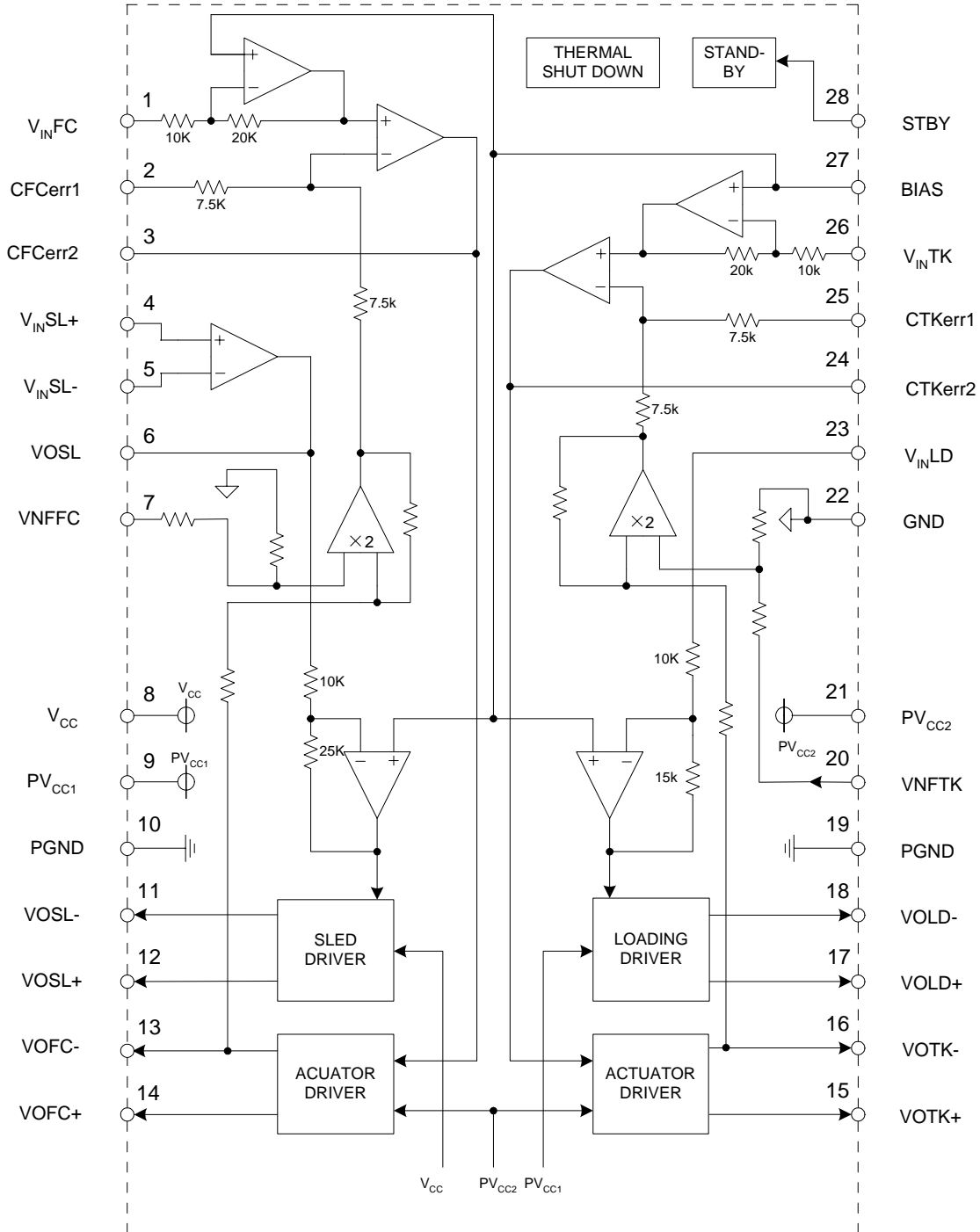


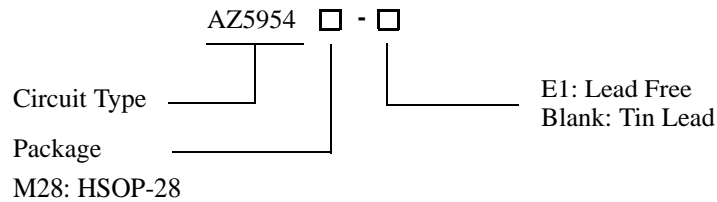
Figure 3. Functional Block Diagram of AZ5954



4-CHANNEL BTL MOTOR DRIVER FOR CD-ROM/DVD

AZ5954

Ordering Information



Package	Temperature Range	Part Number		Marking ID		Packing Type
		Tin Lead	Lead Free	Tin Lead	Lead Free	
HSOP-28	0 to 70°C	AZ5954M28	AZ5954M28-E1	AZ5954M28	AZ5954M28-E1	Tube

BCD Semiconductor's Pb-free products, as designated with "E1" suffix in the part number, are RoHS compliant.

Absolute Maximum Ratings (Note 2)

Parameter	Symbol	Value	Unit
Supply Voltage	$V_{CC}, PV_{CC1/2}$	13.5	V
Power Dissipation	P_D	1.7 (Note 3)	W
Storage Temperature Range	T_{STG}	-55 to 150	°C

Note 2: Stresses greater than those listed under "Absolute Maximum Ratings" may cause permanent damage to the device. These are stress ratings only, and functional operation of the device at these or any other conditions beyond those indicated under "Recommended Operating Conditions" is not implied. Exposure to "Absolute Maximum Ratings" for extended periods may affect device reliability.

Note 3: The power dissipation is reduced by 13.6mW for each increase in temperature of 1°C over 25°C.

Recommended Operating Conditions

Parameter	Symbol	Min	Max	Unit
Supply Voltage	V_{CC}	4.0	13.2	V
	PV_{CC1}	4.0	V_{CC}	V
	PV_{CC2}	4.0	V_{CC}	V
Operating Temperature	T_A	0	70	°C



4-CHANNEL BTL MOTOR DRIVER FOR CD-ROM/DVD

AZ5954

Electrical Characteristics

($T_A = 25^\circ\text{C}$, $V_{CC} = 12\text{V}$, $PV_{CC1} = PV_{CC2} = 5\text{V}$, $V_{BIAS} = 2.5\text{V}$, $R_{L1} = R_{L2} = R_{L3} = R_{L4} = 8\Omega$, $R_D = 0.5\Omega$, $C_{FC} = C_{TK} = 100\text{pF}$, unless otherwise specified.)

Parameter	Symbol	Test Conditions	Min	Typ	Max	Unit
Quiescent Current	I_{CC}			18	27	mA
Standby Current	I_{ST}				0.5	mA
Standby-on Voltage	V_{STON}	All channels off	0		0.5	V
Standby-off Voltage	V_{STOFF}	All channels on	2.0			V
Actuator Driver						
Output Offset Current	I_{OO}		-6		6	mA
Maximum Output Amplitude	V_{OM}	$V_{IN} = V_{BIAS} \pm 1.5\text{V}$	3.6	3.9		V
Transmission Gain	gm	$V_{IN} = V_{BIAS} \pm 0.2\text{V}$	1.3	1.55	1.7	A/V
Sled Motor Driver/Pre Op Amp						
Common Input Voltage Range	V_{ICM}	$V_{BIAS} = 6\text{V}$	-0.3		11.0	V
		$V_{CC} = PV_{CC1} = 5\text{V}$	-0.3		4.0	V
Input Bias Current	I_{IB}			14	300	nA
Output Low Level Voltage	V_{OL}			0.1	0.3	V
Output Source Current	I_{SO}		0.3	0.58		mA
Output Sink Current	I_{SI}		1			mA
Sled Motor Driver						
Output Offset Voltage	V_{OOFSL}		-100		100	mV
Maximum Output Voltage	V_{OMSL}	$V_{IN} = V_{BIAS} \pm 1.5\text{V}$	7.5	8.8		V
Closed-loop Voltage Gain	G_{VSL}	$V_{IN} = V_{BIAS} \pm 0.2\text{V}$	18.0	20.0	22.0	dB
Loading Motor Driver						
Output Offset Voltage	V_{OOFLD}	$V_{IN} = V_{BIAS} \pm 0.2\text{V}$	-50		50	mV
Maximum Output Voltage	V_{OMLD}	$V_{IN} = V_{BIAS} \pm 2.0\text{V}$	7.5	8.7		V
		$V_{IN} = V_{BIAS} \pm 1.5\text{V}$ $V_{CC} = PV_{CC1} = 5\text{V}$	3.6	3.9		V
Closed-loop Voltage Gain	G_{VLD}	$V_{IN} = V_{BIAS} \pm 0.2\text{V}$	13.5	15.5	17.5	dB
Gain Error by Polarity	ΔG_{VLD}	$V_{IN} = V_{BIAS} \pm 0.2\text{V}$	0	1	2	dB



4-CHANNEL BTL MOTOR DRIVER FOR CD-ROM/DVD

AZ5954

Test Circuit

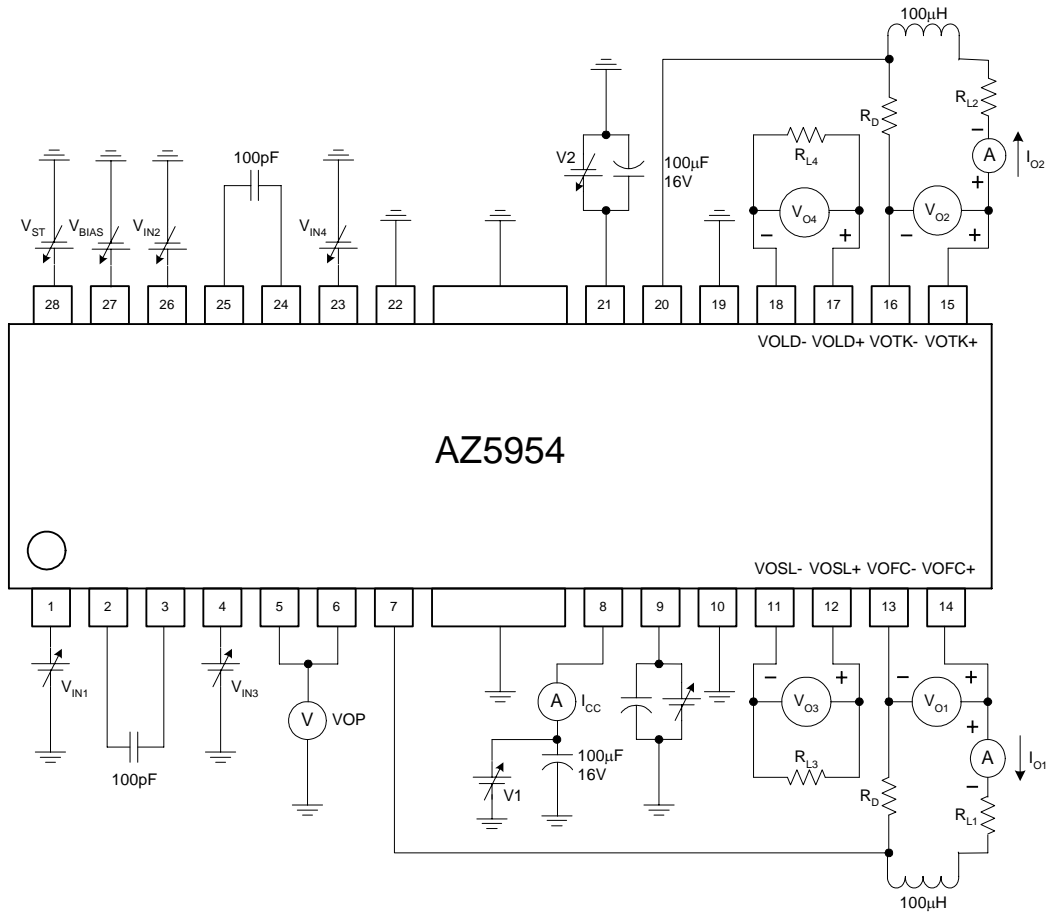


Figure 4. Test Circuit of AZ5954



4-CHANNEL BTL MOTOR DRIVER FOR CD-ROM/DVD

AZ5954

Typical Performance Characteristics

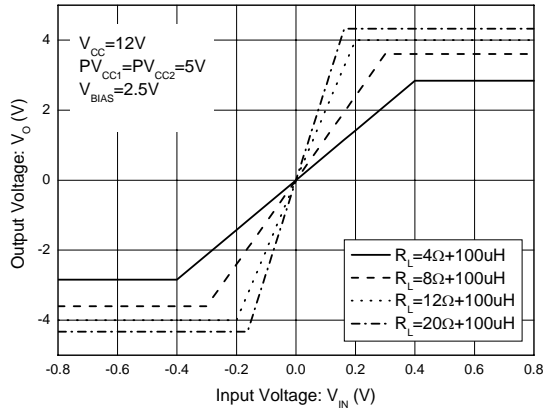


Figure 5. Driver I/O Characteristics (Focus and Tracking)

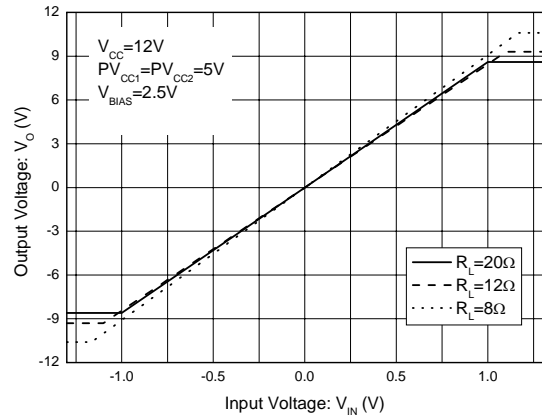


Figure 6. Driver I/O Characteristics (Loading)

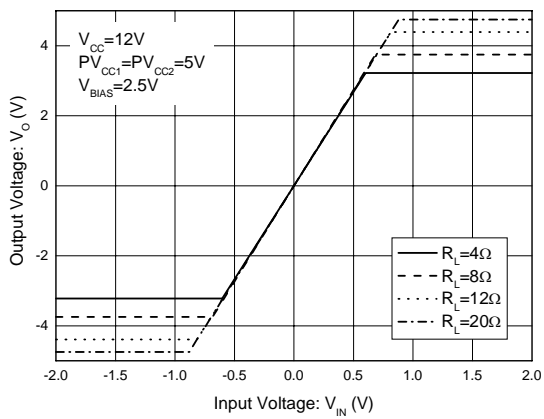


Figure 7. Driver I/O Characteristics (Sled)

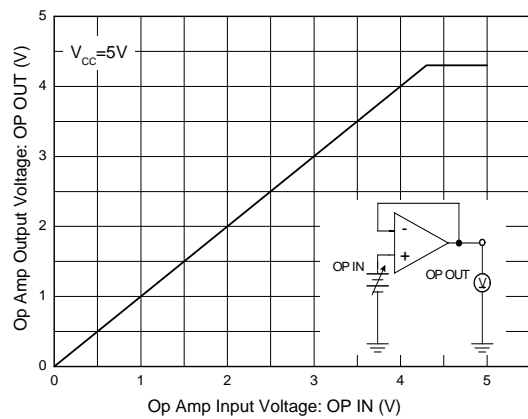


Figure 8. Op Amp I/O Characteristics



4-CHANNEL BTL MOTOR DRIVER FOR CD-ROM/DVD

AZ5954

Typical Performance Characteristics (Continued)

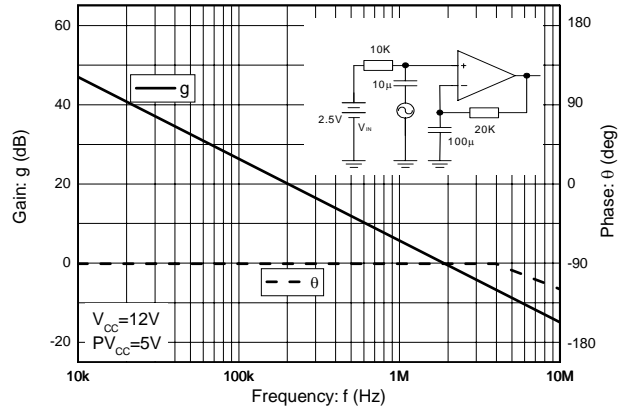


Figure 9. Op Amp Phase-Frequency, Amplitude-Frequency Characteristics



4-CHANNEL BTL MOTOR DRIVER FOR CD-ROM/DVD **AZ5954**

Typical Application

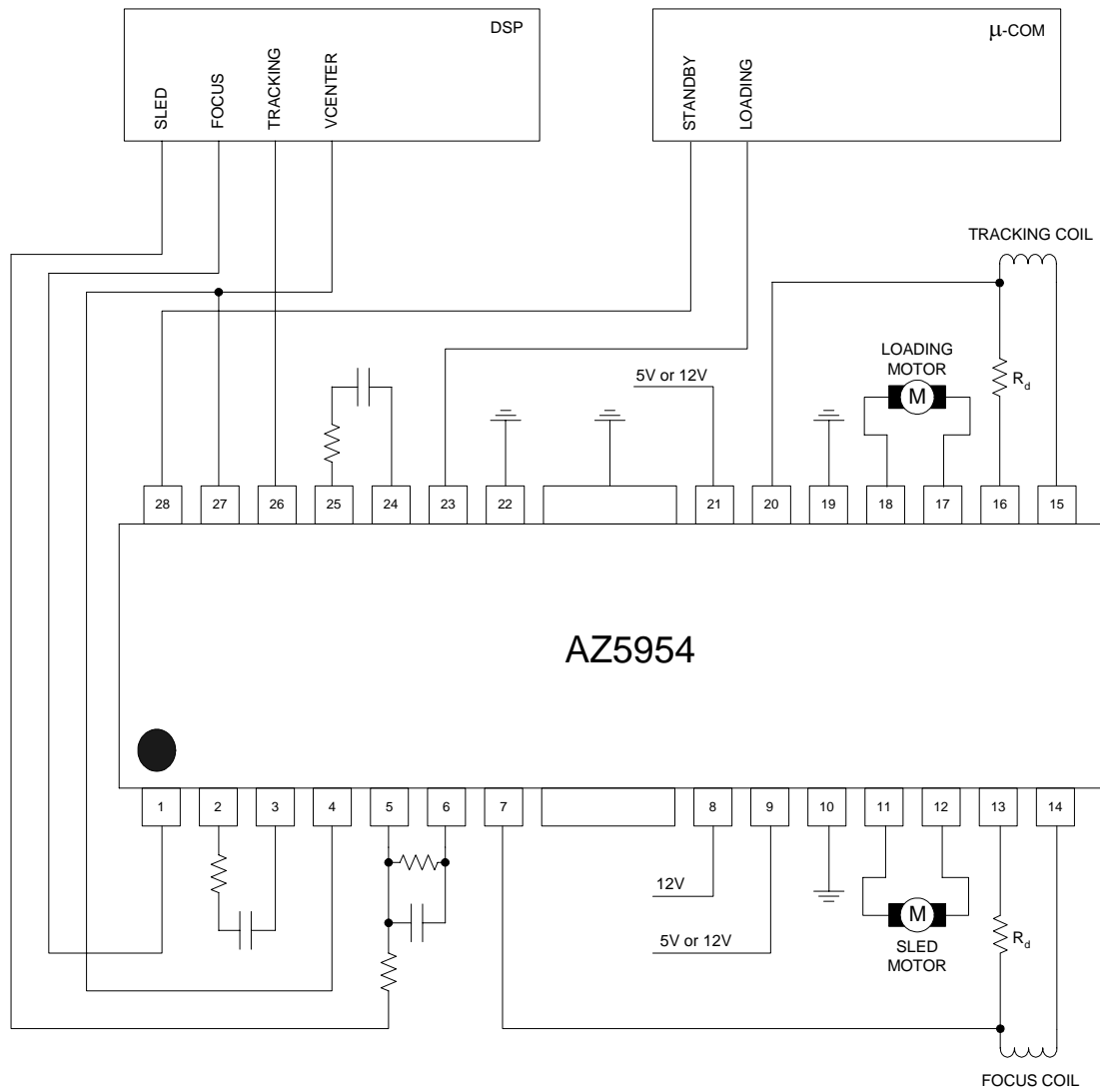


Figure 10. Typical Application of AZ5954 in DVD Player

**4-CHANNEL BTL MOTOR DRIVER FOR CD-ROM/DVD****AZ5954****Application Information**

1. This IC has a built-in thermal shutdown circuit that mutes the output current when the chip temperature reached 178°C (Typ.). The hysteresis is set to 25°C (Typ.), so the driver circuits start up again when the chip temperature falls to 153°C (Typ.).
2. The driver buffer is switched off when the supply voltage falls below 3.5V (Typ.), and is switched back on when the voltage reaches 3.7V (Typ.) again.
3. In case standby pin voltage under 0.5V or opened, quiescent current is muted. Standby pin voltage should be over 2.0V for normal application.
4. BIAS pin (pin 27) should be pulled up more than 1.2V. In case bias pin voltage is pulled down under 0.9V (Typ.), output current is muted.
5. Insert the by-pass capacitor (approximately 0.1μF) between V_{CC}-pin and GND-pin as near as possible to this IC.
6. Heat dissipation fins are attached to the GND on the inside of the package. Make sure to connect these to external GND.

Supplement: (Current-feedback driver)

The transmission gain (output current/input voltage) is given by:

$$g_m = 1 / (R_D + R_{WIRE}) \text{ (A/V)}$$

R_{WIRE} is the total gold wire resistance inside the package (0.15 Ω ± 0.05 Ω) (Typ.).



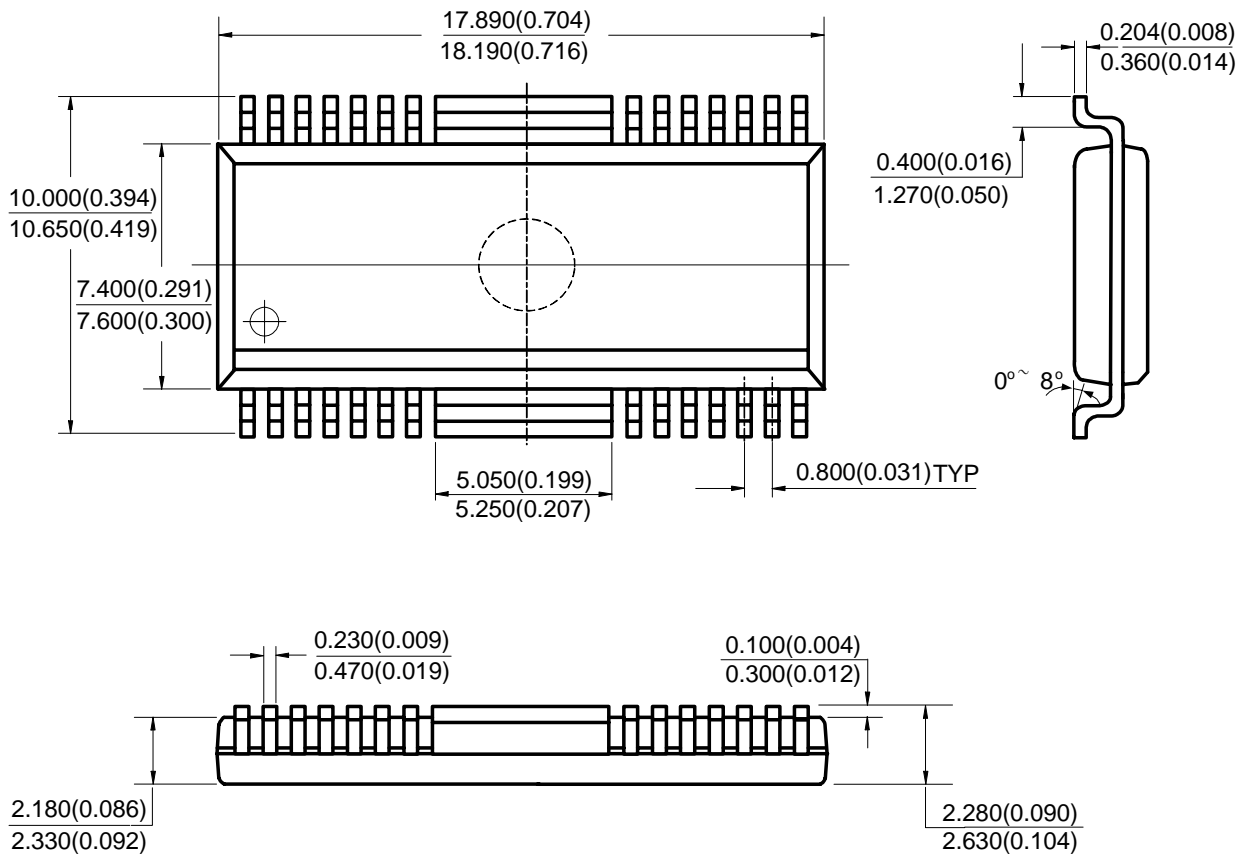
4-CHANNEL BTL MOTOR DRIVER FOR CD-ROM/DVD

AZ5954

Mechanical Dimensions

HSOP-28

Unit: mm(inch)





BCD Semiconductor Manufacturing Limited

<http://www.bcdsemi.com>

BCD Semiconductor Corporation

3170 De La Cruz Blvd, Suite # 105 Santa Clara, CA 95054-2411, U.S.A

Tel: +1-408-988 6388, Fax: +1-408-988 6386

Shanghai SIM-BCD Semiconductor Manufacturing Co., Ltd.

800 Yi Shan Road, Shanghai 200233, PRC

Tel: +86-21-6485-1491, Fax: +86-21-5450-0008

Advanced Analog Circuits (Shanghai) Corporation

8F, B Zone, 900 Yi Shan Road, Shanghai 200233, PRC

Tel: +86-21-6495 9539, Fax: +86-21-6485 9673

BCD Semiconductor (Taiwan) Company Limited

Room 2210, 22nd Fl, 333, Keelung Road, Sec. 1, TaiPei (110), Taiwan

Tel: +886-2-2758 6828, Fax: +886-2-2758 6892

IMPORTANT NOTICE

BCD Semiconductor Manufacturing Limited reserves the right to make changes without further notice to any products or specifications herein. BCD Semiconductor Manufacturing Limited does not assume any responsibility for use of any its products for any particular purpose, nor does BCD Semiconductor Manufacturing Limited assume any liability arising out of the application or use of any its products or circuits. BCD Semiconductor Manufacturing Limited does not convey any license under its patent rights or other rights nor the rights of others.