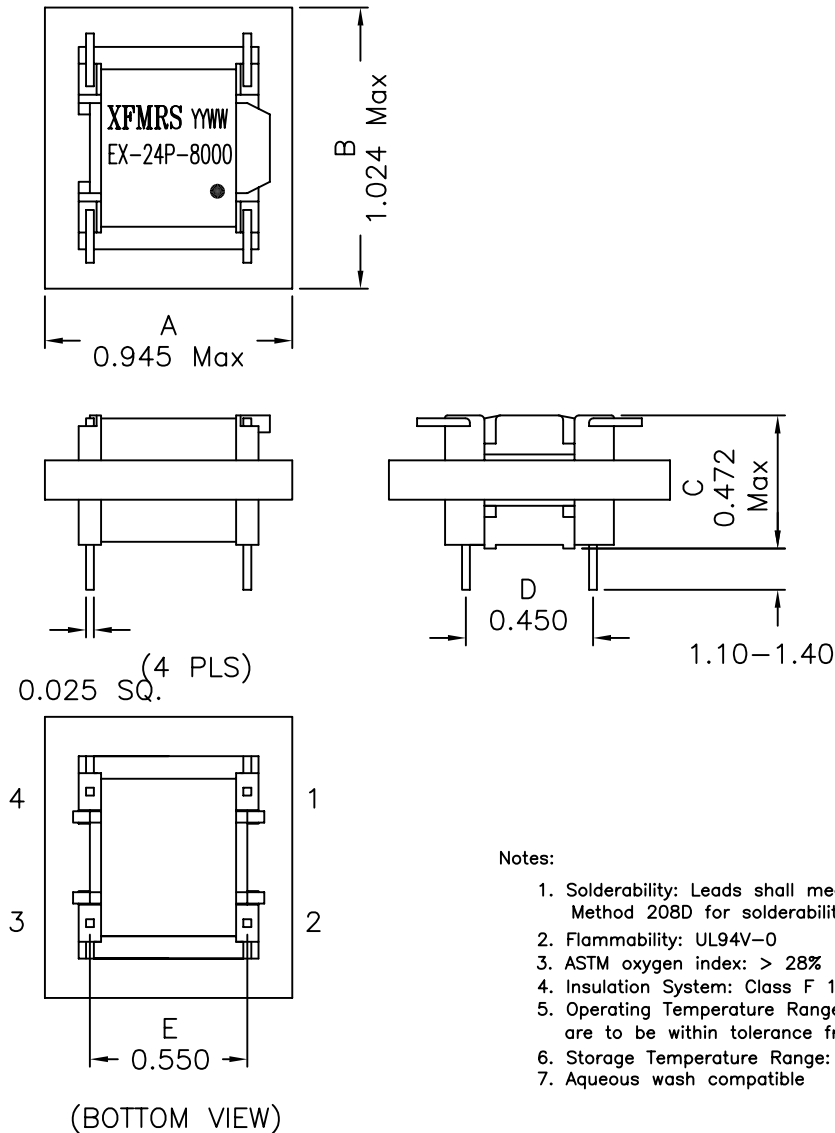


1. Mechanical Dimensions:

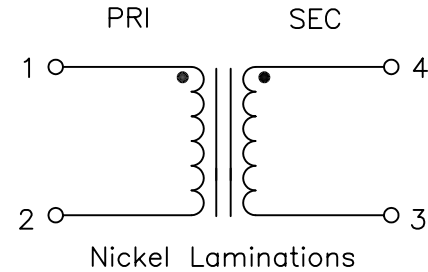


Notes:

1. Solderability: Leads shall meet MIL-STD-202, Method 208D for solderability.
2. Flammability: UL94V-0
3. ASTM oxygen index: > 28%
4. Insulation System: Class F 155°C. UL file E151556
5. Operating Temperature Range: All listed parameters are to be within tolerance from -40°C to +85°C
6. Storage Temperature Range: -55°C to +125°C
7. Aqueous wash compatible

DOC REV: A/1

2. Schematic:



3. Electrical Specifications:

- OCL: Pins 1-2 1.5H Min @200Hz 1.0V, Lp Scale
- Q: Pins 1-2 TBD Min @200Hz 1.0V
- DCR: Pins 1-2 25.1 Ohms ±10%
- DCR: Pins 4-3 20.3 Ohms ±10%
- IL: 0.75dB ±0.25dB
- FR: ±0.5dB @200Hz-20KHz
- LB: 60dB Min @200Hz-1000Hz
40dB Min @1000Hz-4000Hz
- RL: 15dB Min @200Hz-500Hz
20dB Min @500Hz-4000Hz
- URNS RATIO: Pins (1-2):(4-3)=1:1±2%
- HIPOT: 1250Vac, PRI to SEC
- Designed to reflect 600 Ohms on the PRI with 600 Ohms load on the SEC.

XFMRS Inc	Title: MODEM TRANSFORMER		
	UNLESS OTHERWISE SPECIFIED	P/N: EX-24P-8000	REV. A
TOLERANCES: .xxx ±0.010	DWN.	Juan Mao	Mar-24-04
Dimensions in Inch/mm	CHK.	YK Liao	Mar-24-04
Scale 1.5:1 SHT 1 OF 1	APP.	Isaiah M	Mar-24-04

PROPRIETARY

Document is the property of XFMRS Group & is not allowed to be duplicated without authorization.