

# LED Strip Specifications

## PRODUCT SPECIFICATION

**Model No.: FYLH-3528UXC-60-12V-LW**

| Applications:                                                                                                                                                                                                      |
|--------------------------------------------------------------------------------------------------------------------------------------------------------------------------------------------------------------------|
| <ul style="list-style-type: none"> <li>■ Channel Letters</li> <li>■ Lighting source for shop windows</li> <li>■ Indoor Decoration Lighting</li> <li>■ Advertising Signs</li> <li>■ Replacement for Neon</li> </ul> |



| CUSTOMER APPROVED SIGNATURES | APPROVED BY | CHECKED BY | PREPARED BY |
|------------------------------|-------------|------------|-------------|
|                              |             |            |             |

**NINGBO FORYARD OPTOELECTRONICS CO.,LTD.**

**Add:**NO.115 Qixin Road Ningbo Zhejiang China

**Zip:**315051

**Tel:** 0086-574-87933652 87927870 87922206

**Fax:** 0086-574-87927917

**E-mail:**Sales@foryard.com (General)

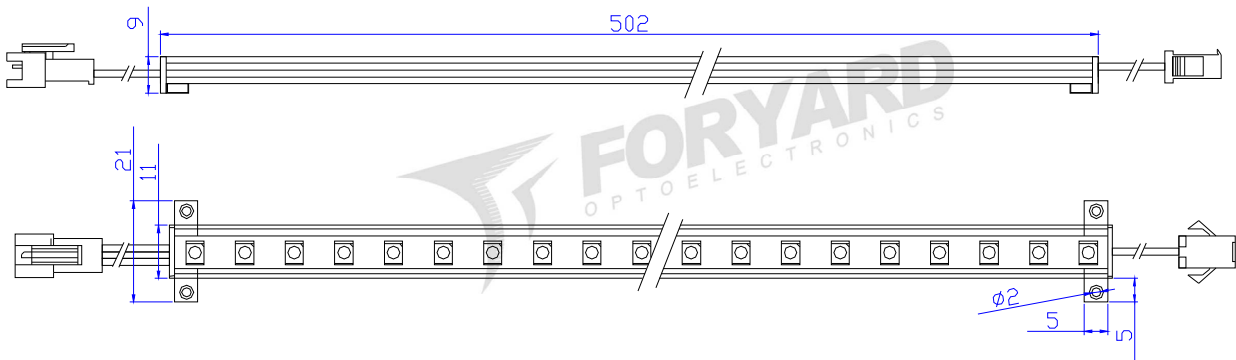
[Http://www.foryard.com](http://www.foryard.com)

**Model No.: FYLH-3528UXC-60-12V-LW**

**Photo**



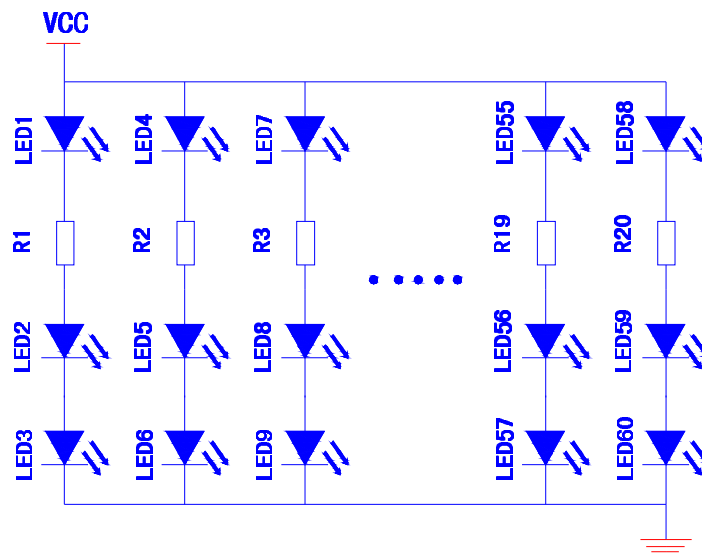
**Drawing (1 PC)**



**Notes:**

1. All dimensions are millimeters.
2. Tolerance is  $\pm 0.2\text{mm}$  unless otherwise specified.
3. Specifications are subject to change without notice.
4. Dimension: L502\*W11\*H9mm.without prior notice.

**Circuit Diagram(1PC)**



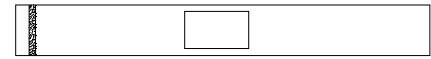
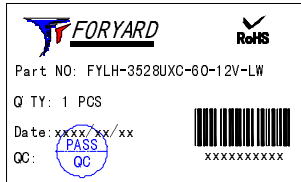
**Model No.: FYLH-3528UXC-60-12V-LW**

**Rating Electrical/Optical Characteristics(1PC)**

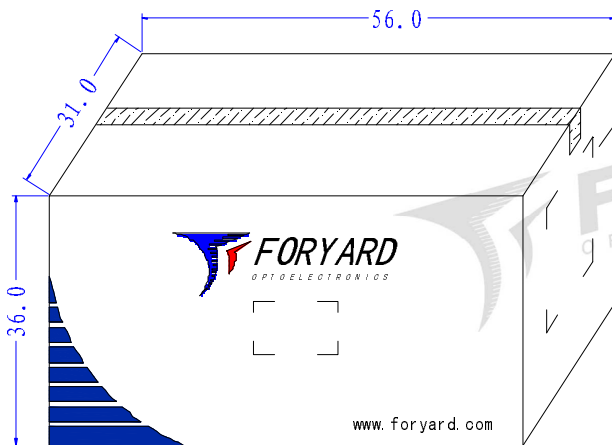
| Item                               | Red                        | Yellow  | Blue    | Green   | White           |
|------------------------------------|----------------------------|---------|---------|---------|-----------------|
| Operation Voltage(V)               | DC12                       | DC12    | DC12    | DC12    | DC12            |
| Power Dissipation(W)               | 4.8                        | 4.8     | 4.8     | 4.8     | 4.8             |
| Input Current(mA)                  | 400                        | 400     | 400     | 400     | 400             |
| Wavelength(nm)                     | 625-635                    | 590-594 | 465-475 | 515-525 | CCT:5000K-6500K |
| Single LED Luminous Intensity(MCD) | 200                        | 200     | 150     | 700     | 800             |
| Luminous Flux(lm)                  | 200                        | 200     | 200     | 680     | 660             |
| Angle(°)                           | 120                        |         |         |         |                 |
| Operation Temperature(°C)          | -20~60                     |         |         |         |                 |
| single LED Operating               | 20                         |         |         |         |                 |
| LED Quantity(pcs)                  | 60                         |         |         |         |                 |
| Dimension:(mm)                     | L502*W11*H9mm              |         |         |         |                 |
| Life Time(hrs)                     | 50000                      |         |         |         |                 |
| net weight:(g)                     | 65                         |         |         |         |                 |
| Approval                           | CE(NO:E8N 08 03 57489 001) |         |         |         |                 |

**Model No.: FYLH-3528UXC-60-12V-LW**

**Package**

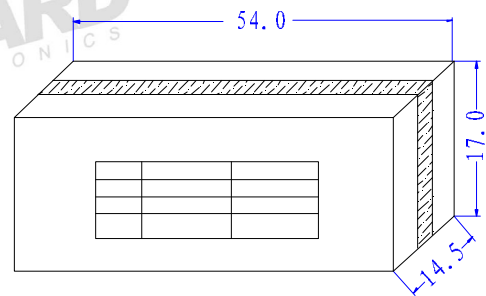


1Pcs / Polybag



4Boxes/Carton

OUTSIDE LABEL



50 Bags/Box



OUTSIDE LABEL