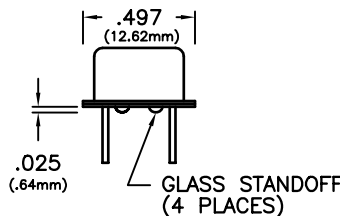
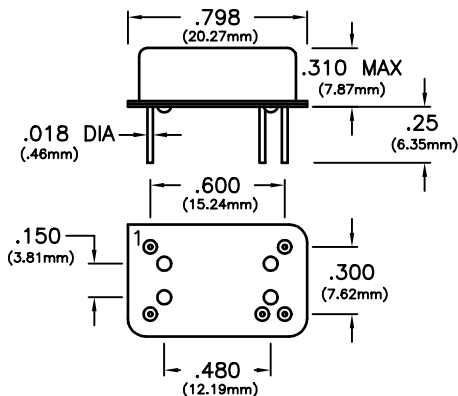


**DIFFERENTIAL OUTPUT 14 PIN PECL VCXO**

SPECIFICATIONS	<b>PV54I-150</b>	
Center Frequency (Fo)	30MHz to 156.25MHz	
Frequency Stability (2.5Vdc Pin 1)		
Vs Temperature	±10ppm Typical	
Vs Calibration @ 25°C	±5ppm Typical	
Vs Aging (10yrs)	±5ppm	
Total	±20ppm Maximum (Reference to Fo @ 2.5Vdc pin 1)	
Temperature Range	0°C to +70°C	
Output	Waveform	PECL Squarewave
	Load	50 Ohms Terminated into Vcc-2V
	Voltage Voh	3.96 Minimum
	Vol	3.40 Maximum
	Duty Cycle	45/55 Maximum (Both outputs)
	Rise/Fall Time	1.5nS Typical, 2.0nS Maximum
	RMS Jitter	1.0pS Maximum over 12KHz to 20MHz bandwidth
	SSB Phase Noise (Typical)	-80dBc/Hz @ 100Hz , -130dBc/Hz @ 10KHz
Frequency Control		
Pullability @25°C (Referenced to 2.5V freq.)	±75ppm Minimum	
Absolute Pull Range	Guaranteed absolute pull range ±50ppm from Fo	
Transfer Function	Positive	
Control Voltage	0.5 to +4.5Vdc	
Linearity	±10% Maximum	
Freq Modulation Bandwidth	≥ 10KHz (3dB cutoff)	
Supply Voltage	+5Vdc ±5%	
Supply Current	80mA Maximum	
Package	All metal, hermetically sealed, welded package	



PIN	CONNECTION
1	VOLTAGE CONTROL
7	GROUND (CASE)
8	OUTPUT
9	COMPLEMENTARY OUTPUT
14	(+) SUPPLY

**ORDERING INFORMATION**

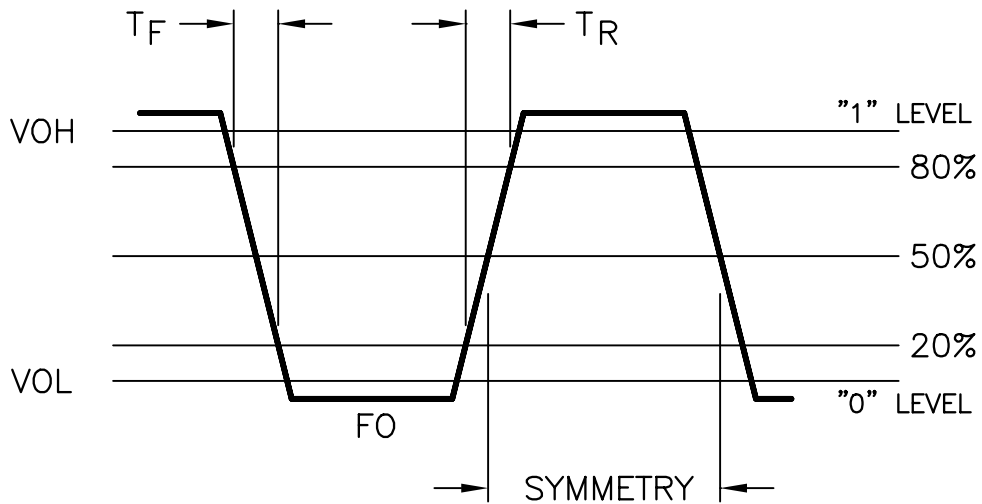
**PV54I-150 - 150 MHz**

VCXO  
SERIES

CENTER  
FREQUENCY

**DIFFERENTIAL OUTPUT 14 PIN PECL VCXO**

OUTPUT WAVEFORM



TEST CIRCUIT

