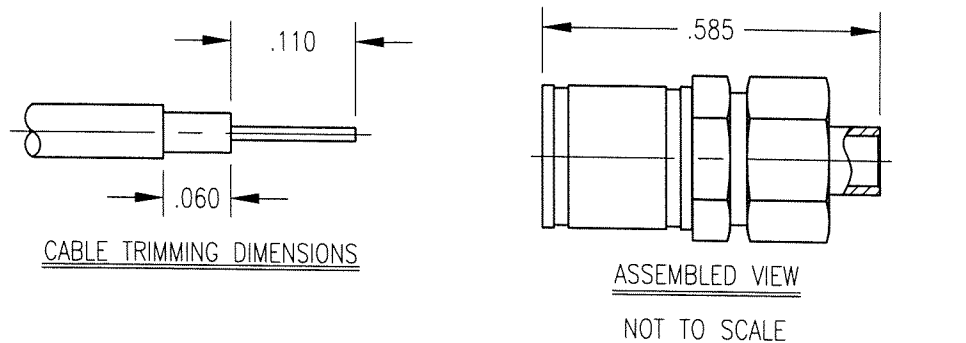
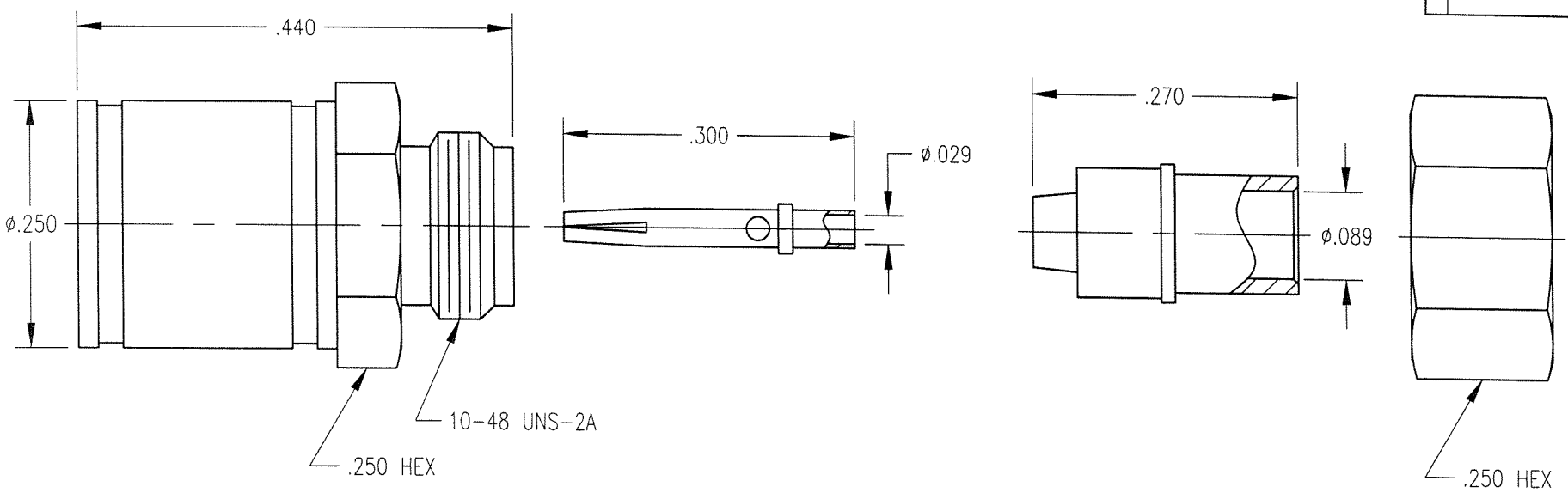


DWG. NO.			
510-600-0850H			
REV	DESCRIPTION	BY	APPD
-	NPR 2249A	10/01/01	[Signature]



- NOTES:
- MATERIALS:
 CENTER CONTACT: COPPER ALLOY
 INSULATOR: TEFLON PER ASTM D1710
 RETAINING RING: BERYLLIUM COPPER PER ASTM B194
 ALL OTHER METAL PARTS: BRASS PER ASTM B16
 - FINISH:
 CENTER CONTACT: .000030 MIN. GOLD PER MIL-G-45204 OVER
 .000050 MIN. NICKEL PER QQ-N-290
 BODY AND WEDGE: .000015 MIN. GOLD PER MIL-G-45204 OVER
 .000050 MIN. NICKEL PER QQ-N-290
 CLAMP NUT & SHROUD: .000005 MIN. GOLD PER MIL-G-45204 OVER
 .000050 MIN. NICKEL PER QQ-N-290
 - ELECTRICAL:
 IMPEDANCE: 50 OHMS NOMINAL
 FREQUENCY RANGE: 0 - 4.0 GHz
 - FOR USE WITH .085 SEMI-RIGID CABLE OR EQUIVALENT.
 - FOR CABLING PROCEDURES USE CAP 6-01 WITH TRIMMING DIMENSIONS SHOWN.

PER ASME Y14.5M-1994 UNLESS OTHERWISE SPECIFIED: DIMENSIONS ARE IN INCHES (MM)		Litton	
TOLERANCES: DECIMALS xx ± .01/0.254 xxx ± .005/0.127		Winchester/Retconn 400 Park Road Watertown, Connecticut 06795	
CUSTOMER DRAWING		TITLE SMB STRAIGHT PLUG, SOLDER/CLAMP .085 S.R.	
DRAWN M.J.F.	DATE 2/6/01	CHECKED [Signature]	DATE 2/14/01
APPROVED [Signature]	DATE 2/14/01	APPROVED [Signature]	DATE 2/14/01
A		510-600-0850H	SHT. 1 OF 1 REV. -