

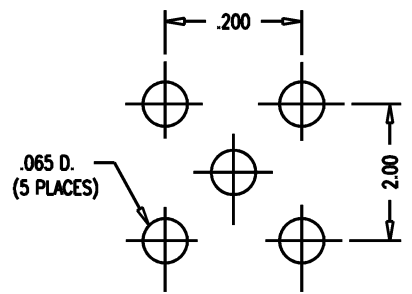
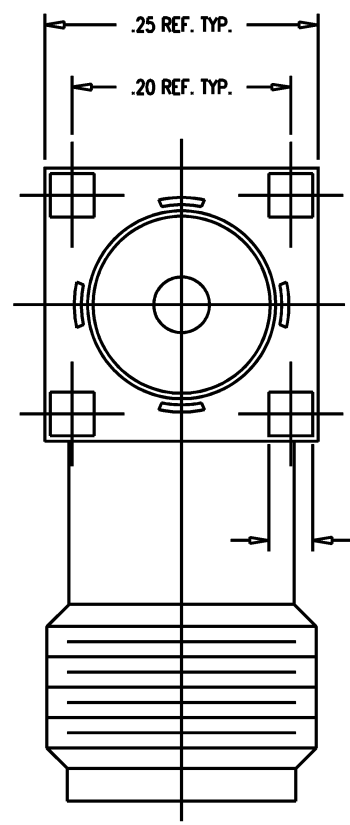
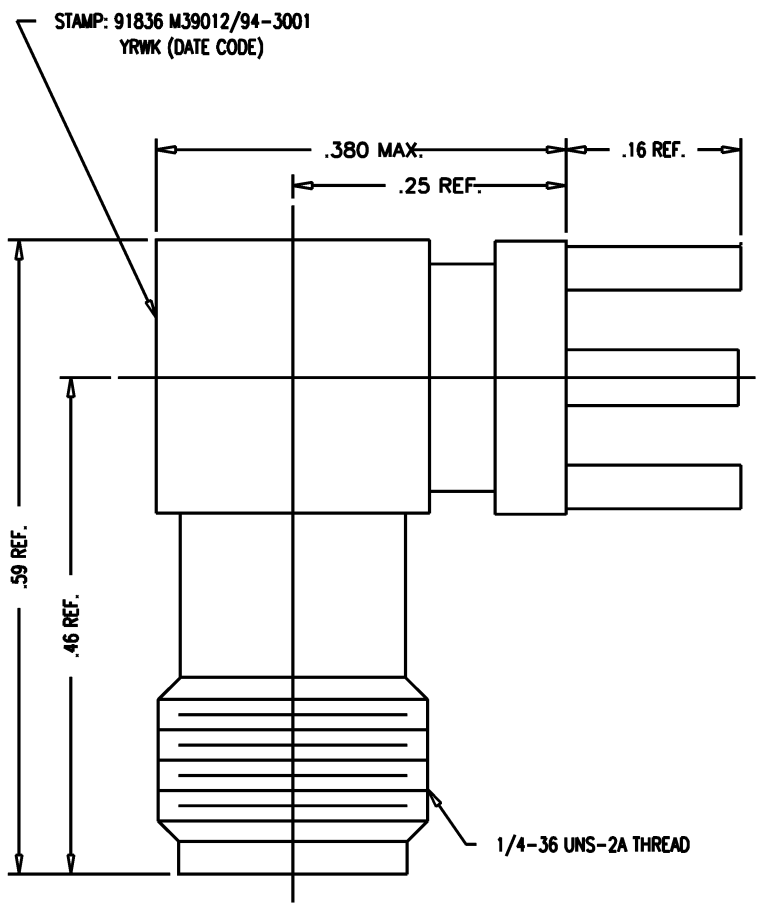
|          |        |           |
|----------|--------|-----------|
| DASH NO. | M CODE | MADE FROM |
|----------|--------|-----------|

# GSD

M39012/94-3001

### REVISIONS

| ISSUE | CHANGES  |
|-------|--|
| 4     | CN 32906 E<br>REDRAWN<br>RESTRICTION REMOVED<br>JCA 03/01/91 |
| 5     | CN 33494 C<br>JCA 10/31/91                                   |
| 6     | CN 34192 E<br>KH 10/19/92                                    |
| 7     | CN 36001 E<br>ME 01/16/95                                    |
| 8     | CN 38473 E<br>TML 01/21/02                                   |
| 9     | CN 39474 A<br>DCT 6/13/6                                     |
| 10    | CN 39552 C<br>JPK 08/07/06                                   |
| 11    | CN 39815 C<br>PMC 2/28/07                                    |



MOUNTING HOLES

- NOTES:
- INTERFACE PER MIL-STD-348 FIG. 310-2.
  - MATERIALS:  
INSULATORS: TEFLON, ASTM-D4894  
CENTER CONTACT: BER. COP., ASTM-B196  
ALL OTHER PARTS: STAINLESS STEEL, SAE-AMS-00-S-763
  - FINISHES:  
ALL METAL PARTS: HARD GOLD PLATE PER ASTM-B488
  - ELECTRICAL CHARACTERISTICS:  
NOMINAL IMPEDANCE: 50 OHMS  
FREQUENCY RATING: DC TO 12.4  
VOLTAGE RATING: 1000 VRMS

# GSD

|  |              |
|--|--------------|
| 877-87-1   |              |
| SCALE  | 8:1          |
| APPROX SURFACE AREA  |              |
| USED ON  |              |
| REF:   |              |
| RCPT, P.C.B., ANG, SMA   |              |
| DRAWN  | JCA 00/01/91 |
| DESIGN   | GA 03/01/91  |
| APPR.  | DW 10/26/92  |
| <b>KINGS</b><br>ELECTRONICS CO., INC.<br>ROCK HILL, SOUTH CAROLINA 29730 |              |
| M39012/94-3001   |              |