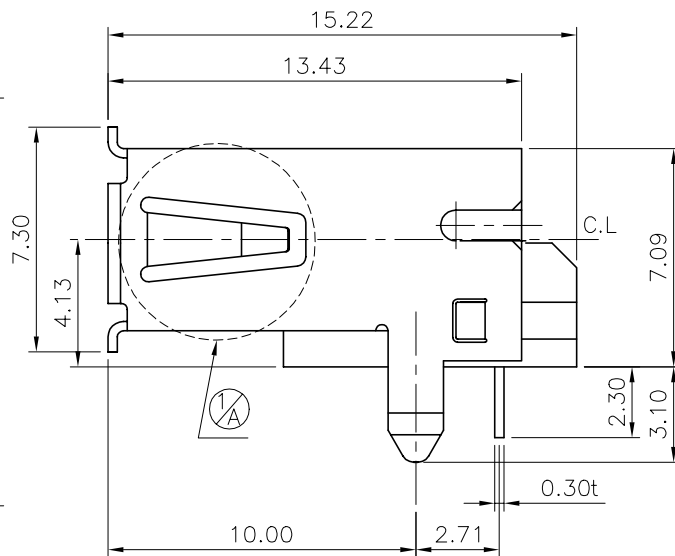
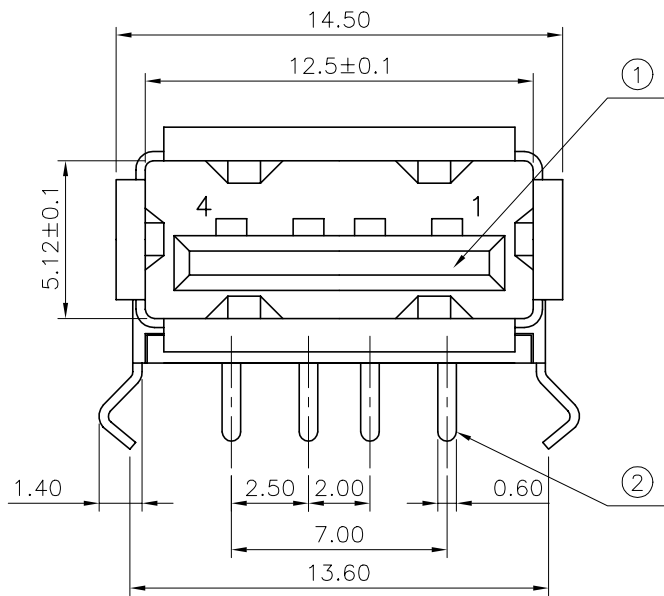
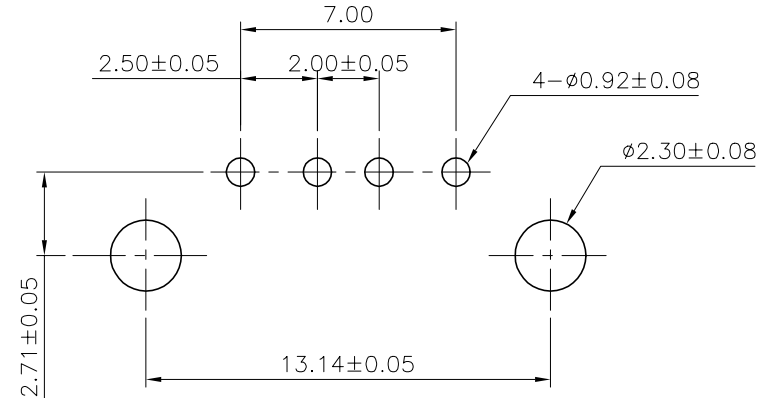


Recommended P.C.B Layout (Component Side)



4				
3	SHELL	Pho.Bronze	—	Nickel Plated
2	TERMINAL	Pho.Bronze	—	Selective Gold/Tin
1	HOUSING	NY-6T	BLACK	UL 94V-0
NO.	DESCRIPTION	MATERIAL	COLOR	REMARK

SUYIN
CONNECTOR

CUSTOMER COPY TITLE: USB CONNECTOR R/A DIP TYPE, SERIES A

PART NO. 020003MR004S200ZU

PART NO. (OLD) _____

DRAWING NO. ^D/_{ING} 020003MR004S200ZU

SCALE 4:1 UNIT mm A4

ECN (DCN) NO.	REV	DATE	DESCRIPTION	CHANGE	APPRO.	GENERAL TOLERANCE UNLESS OTHERWISE NOTED	ANGLE	±2°	DRAW		
	0		NEW				30 ~	±0.50	DESIGN		
							10 ~ 30	±0.30	CHECK		
							~ 10	±0.15	APPRO.		