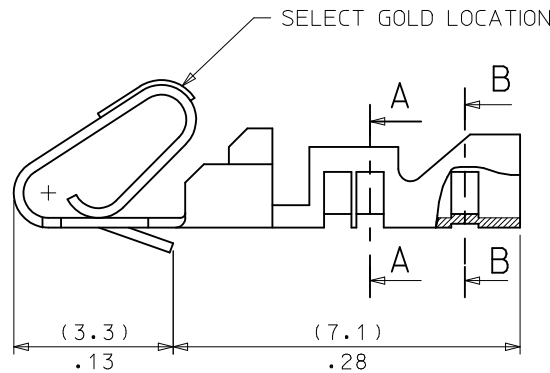
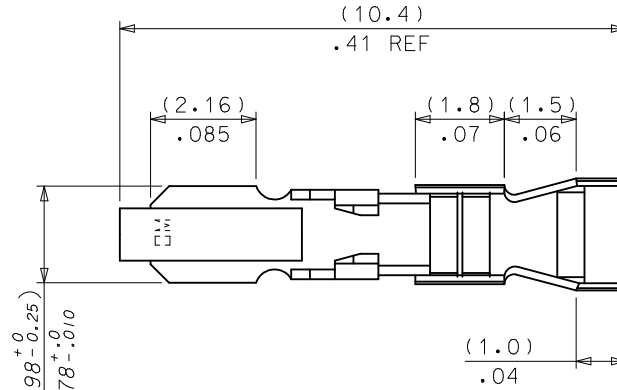
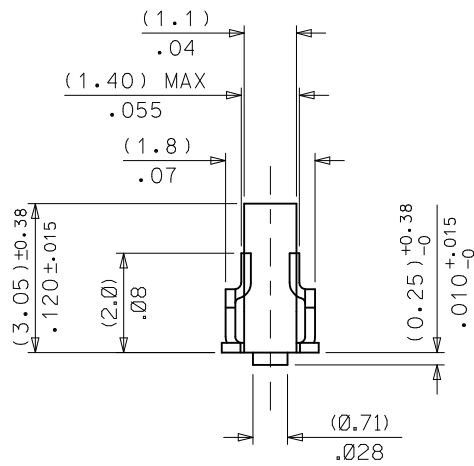


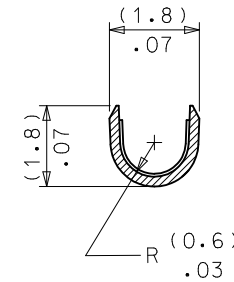
TOP FEEDING REEL WINDING DIRECTION



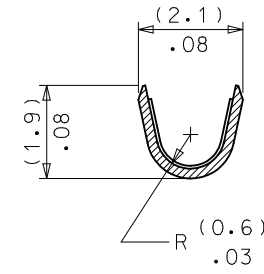
PART No.	ENG No.	FORM	FINISH
08-65-0105	8088-(555)	CHAIN	555
08-65-0106	8088-(555)L	LOOSE	

LEGEND

8088-(\*\*\*)\*  
 PLATING CODE ——— BLANK = CHAIN FORM, TOP FEEDING REEL  
 L = LOOSE FORM



A-A



B-B

NOTES:

- MATERIAL: PHOS. BRONZE
- FINISH:  
555 = 0.00038/.000015 MIN. SELECT GOLD IN CONTACT AREA OVER (0.00076)/.000030 MIN. NICKEL OVERALL
- PRODUCT SPECIFICATION: PS-99020-0088.
- FOR 22-30 AWG WIRE: (1.57)/.062 DIA MAX INSULATION
- THIS PART CONFORMS TO CLASS B REQUIREMENTS OF MOLEX COSMETIC SPECIFICATION PS-45499-002.

<b>CORRECT GOLD LOC.</b> EC NO: UCP2012-1821 DRWN:HKIPPER 2011/08/02 CHKD:HKIPPER 2011/08/02 APPR:FSMITH 2012/02/02	QUALITY SYMBOLS $\nabla Z=0$ $\nabla E=0$ $\nabla F=0$	GENERAL TOLERANCES (UNLESS SPECIFIED) <table border="1"> <thead> <tr> <th></th> <th>mm</th> <th>INCH</th> </tr> </thead> <tbody> <tr> <td>4 PLACES</td> <td>± ---</td> <td>± ---</td> </tr> <tr> <td>3 PLACES</td> <td>± ---</td> <td>± .010</td> </tr> <tr> <td>2 PLACES</td> <td>± 0.25</td> <td>± .020</td> </tr> <tr> <td>1 PLACE</td> <td>± 0.51</td> <td>± ---</td> </tr> </tbody> </table>		mm	INCH	4 PLACES	± ---	± ---	3 PLACES	± ---	± .010	2 PLACES	± 0.25	± .020	1 PLACE	± 0.51	± ---	DIMENSION STYLE MM/IN	SCALE 10:1	DESIGN UNITS METRIC	THIRD ANGLE PROJECTION
		mm	INCH																		
	4 PLACES	± ---	± ---																		
	3 PLACES	± ---	± .010																		
2 PLACES	± 0.25	± .020																			
1 PLACE	± 0.51	± ---																			
DESCRIPTION K	DRAFT WHERE APPLICABLE MUST REMAIN WITHIN DIMENSIONS	DRAWN BY T. MAHON	DATE 1998/10/26	TITLE KK (2.54)/.100 ANTI-FISH HOOKING TERMINAL 22-30 AWG																	
		APPROVED BY JDENNEHY	DATE 2006/09/14	MOLEX INCORPORATED																	
		MATERIAL NO. SEE CHART	DOCUMENT NO. SD-8088-****	SHEET NO. 1 OF 1																	