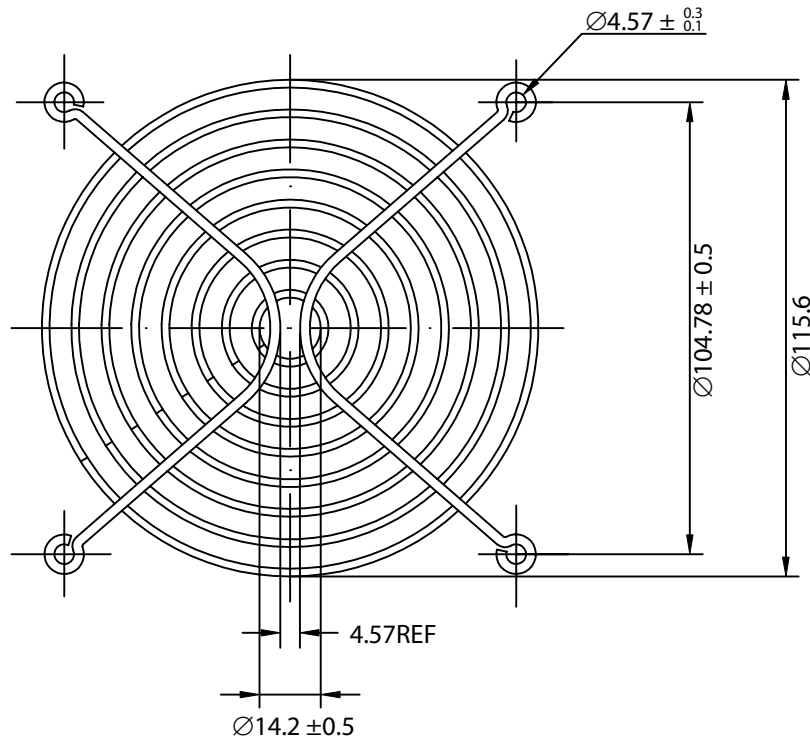


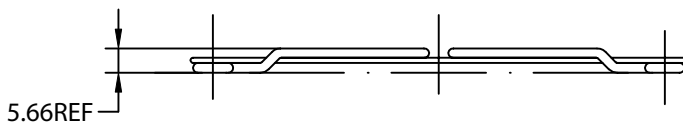
THESE DRAWINGS ARE THE PROPERTY OF QUALTEK ELECTRONICS AND NOT TO BE REPRODUCED FOR OR COMMUNICATED TO A THIRD PARTY WITHOUT THE EXPRESS WRITTEN PERMISSION OF AN OFFICER OF QUALTEK ELECTRONICS.

REVISION			
REV.	DESCRIPTION	DATE	APPROVED
B	RoHS Compliancy	06-01-06	DP



NOTES:

1. MATERIAL: C1008 BRIGHT BASIC WIRE
2. FINISH: BRIGHT NICKEL CHROME PLATING
3. 0.35 ± 0.05 DEPTH OF SERRATIONS ON WIRE
4. RING: Ø1.8 ± 0.1mm
RIB: Ø1.8 ± 0.1mm
5. GENERAL TOLERANCE UNLESS NOTED IS ± 0.5mm
6. RoHS COMPLIANT



CONTROLLED

Dim range (mm)	Tolerance +/- (mm)	Qualtek Electronics Corp. FAN-S DIVISION											
		Part Number: 08170		RoHS Compliant									
0-5	0.1	Description: WIRE FORM FAN GUARD (120mm)											
5-16	0.15	<table border="1" style="width: 100%; border-collapse: collapse;"> <tr> <td style="width: 33%;"></td> <td style="width: 33%;">UNIT: mm</td> <td style="width: 33%;">REV: B</td> </tr> <tr> <td>Drawn / Date</td> <td>Checked / Date</td> <td>Approved / Date</td> </tr> <tr> <td>B. ZHANG 07-26-04</td> <td>07-26-04</td> <td>JJH / 07-26-04</td> </tr> </table>				UNIT: mm	REV: B	Drawn / Date	Checked / Date	Approved / Date	B. ZHANG 07-26-04	07-26-04	JJH / 07-26-04
	UNIT: mm				REV: B								
Drawn / Date	Checked / Date	Approved / Date											
B. ZHANG 07-26-04	07-26-04	JJH / 07-26-04											
16-64	0.2												
64-250	0.4												
250-1000	0.5												
1000-1500	1.0												