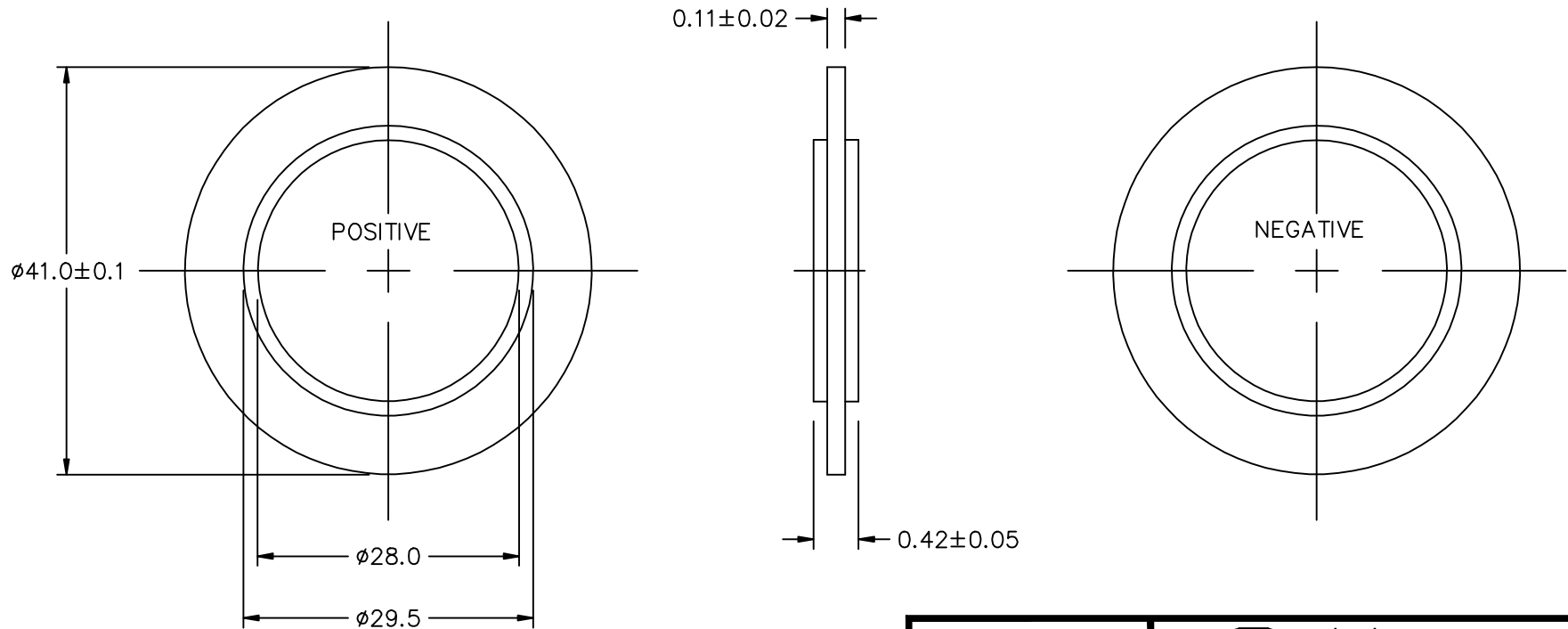


THIS DOCUMENT CONTAINS DATA PROPRIETARY TO PROJECTS UNLIMITED, INC. ANY USE OR REPRODUCTION, IN ANY FORM, WITHOUT PRIOR WRITTEN PERMISSION OF PROJECTS UNLIMITED, INC. IS PROHIBITED.
 ©2003, Projects Unlimited Inc.

SPECIFICATIONS

PARAMETERS	VALUES	UNITS
RESONANT FREQUENCY	2,900±500	Hz
RESONANT IMPEDANCE (MAX)	2,000	Ohm
MAX INPUT VOLTAGE	20	Vp-p
CAPACITANCE @ 1KHz	200,000±30%	pF
PLATE MATERIAL	BRASS	-
OPERATING TEMPERATURE	-20 ~ +60	°C
STORAGE TEMPERATURE	-20 ~ +70	°C


REVISIONS			
LTR	DESCRIPTION	DATE	APPROVED
-	RELEASED FROM ENGINEERING	4/4/03	
A	RELEASED CAPACITANCE	4/25/03	S.J.
B	REVISED TO NEW TEMPLATE	9/4/03	R.W.
C	REVISED SPECIFICATIONS	1/16/04	R.W.
D	REVISED DIMENSION SIZE AND STYLE	01/27/06	B.R.
E	REVISED CAPACITANCE VALUE	11/30/07	R.W.



NOTES:

1. ALL DIMENSIONS ARE IN MILLIMETERS.
2. SPECIFICATION SUBJECT TO CHANGE OR WITHDRAWAL WITHOUT NOTICE.

FILE NAME
 AB4129B-D.DWG

UNLESS OTHERWISE SPECIFIED: DIMENSIONS ARE IN MILLIMETERS, TOLERANCES ARE ± 0.5 AND ANGLES ARE $\pm 3^\circ$.		 projects® unlimited Dayton, Ohio	
APPROVALS		DATE	
DRAWN	T.P.I.	4/03	
APPROVED	S.J.	4/03	
SIZE	A	DRAWING NO. AB4129B-D	
DO NOT SCALE DRAWING		SCALE: N.T.S.	SHEET 1 OF 1