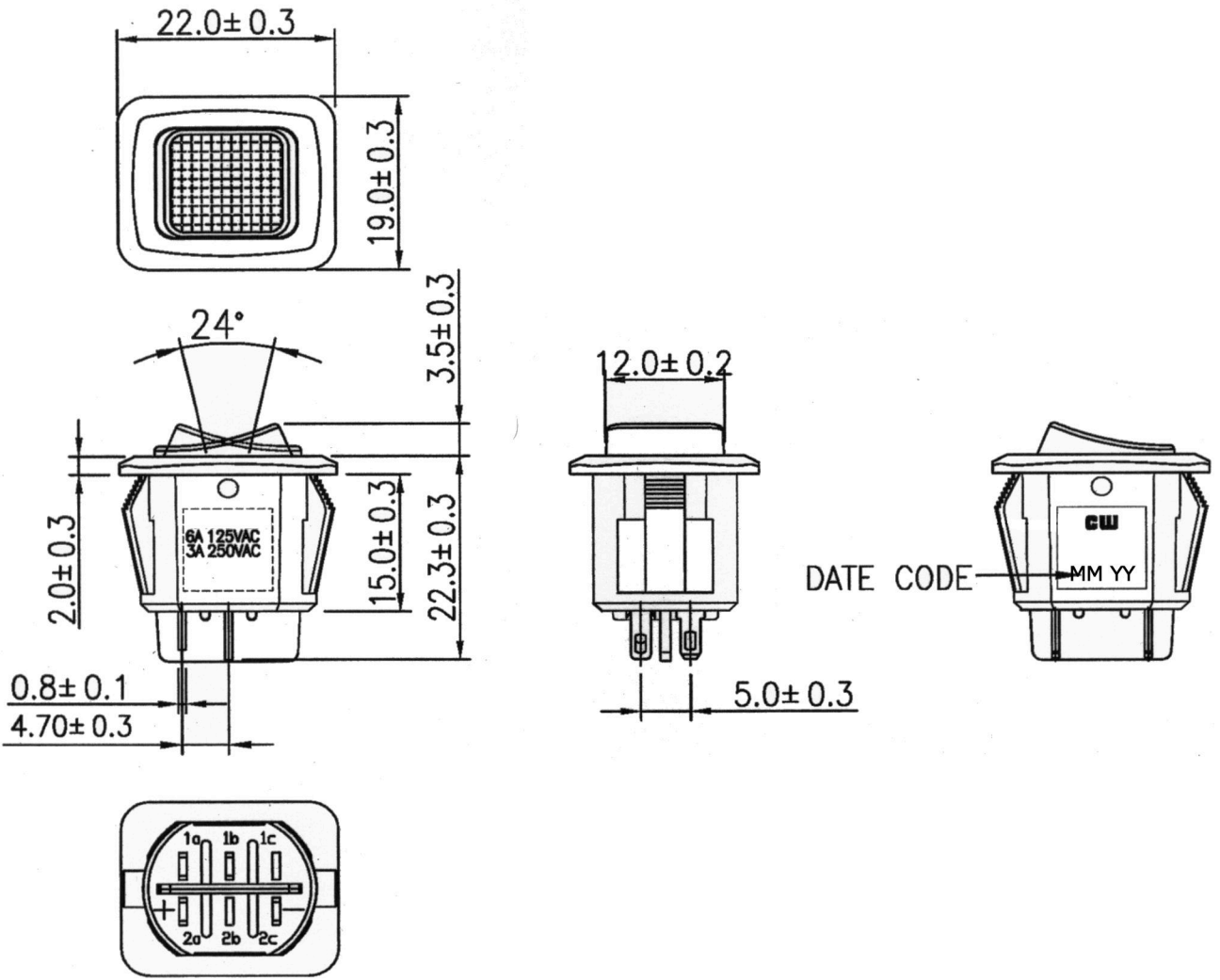


THIS INFORMATION IS CONFIDENTIAL AND PROPRIETARY TO CW INDUSTRIES INCORPORATED AND ITS AFFILIATES. IT MAY NOT BE DISCLOSED TO ANYONE, OTHER THAN CW INDUSTRIES PERSONNEL, WITHOUT WRITTEN AUTHORIZATION FROM CW INDUSTRIES INCORPORATED, SOUTHAMPTON, PENNSYLVANIA USA.

Rating	6A 125V AC, 3A 250V AC		<b>Mounting Hole</b> 	<b>Circuit Diagram</b> 
Contact Resistance	50m ohm max.			
Insulation Resistance	DC 500V 100M ohm min.			
Dielectric Strength	AC 1000V 1 minute			
Operating Temperature	-25° C ~ 85° C			

Cut-Out 0.75 ~ 3.0 mm thk.  
 LED Rating  
 Red: @ 20mA if= 2.0 VDC

BASE COLOR: Black  
 BUTTON COLOR: Red  
 LED: Red



RoHS Compliant

**CW INDUSTRIES**  
 Southampton, Pa. 18966  
 Tel 215.355.7080/www.cwind.com

Date Drawn: 12/21/09	Rev. 0	Unit: mm	Checked By: G. Guld
Title: <b>ROCKER SWITCH</b>		CW P/N: <b>GRB290AL105BRR</b>	