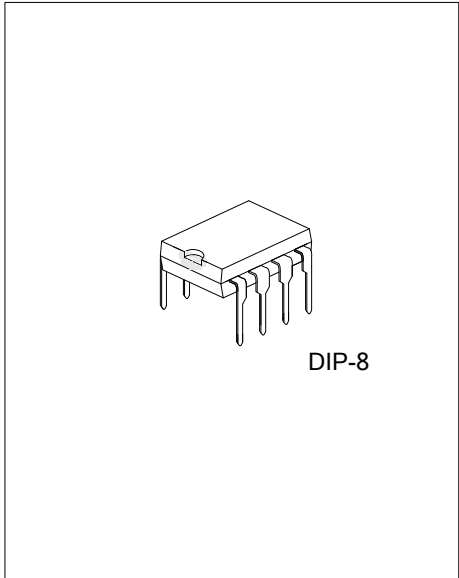




## UPS4602

## LINEAR INTEGRATED CIRCUIT

### HIGH PERFORMANCE CURRENT MODE POWER SWITCH WITH ZERO CURRENT DETECTION



#### DESCRIPTION

The UTC **UPS4602** is an integrated PWM controller and PowerMOSFET specifically designed for switching operation with minimal external components. The UTC **UPS4602** is designed to provide several special enhancements to satisfy the needs, for example, Power-Saving mode for low standby power (<0.3W), Frequency Hopping , Constant Output Power Limiting , Slope Compensation ,Over Current Protection (OCP), Over Voltage Protection (OVP), Over Load Protection (OLP), Under Voltage Lock Out (UVLO), Short Circuit Protection (SCP) , Over Temperature Protection (OTP), etc. IC will be shutdown or can auto-restart in situations.

#### FEATURE

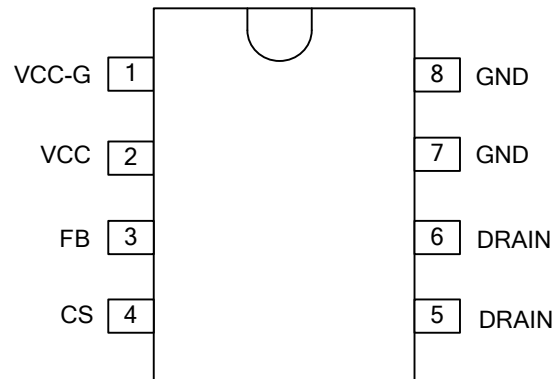
- \* Internal PowerMOSFET (650V)
- \* Programming Gate Driver Capability
- \* Frequency hopping for Improved EMI Performance.
- \* Lower than 0.3W Standby Power Design
- \* Linearly decreasing frequency to 26KHz during light load
- \* Internal Soft start
- \* Internal Slope Compensation
- \* Constant Power Limiting for universal AC input Range
- \* Gate Output Maximum Voltage Clamp(15V)
- \* Over temperature protection
- \* Overload protection
- \* Over voltage protection
- \* Leading edge blanking
- \* Cycle-by-Cycle current limiting
- \* Under Voltage Lock Out
- \* Short Circuit Protection

#### ORDERING INFORMATION

Ordering Number		Package	Packing
Lead Free	Halogen Free		
UPS4602L-D08-T	UPS4602G-D08-T	DIP-8	Tube

<p>UPS4602L-D08-T</p> <p>(1)Packing Type (2)Package Type (3)Lead Free</p>	<p>(1) T: Tube (2) D08: DIP-8 (3) G: Halogen Free, L: Lead Free</p>
---	---

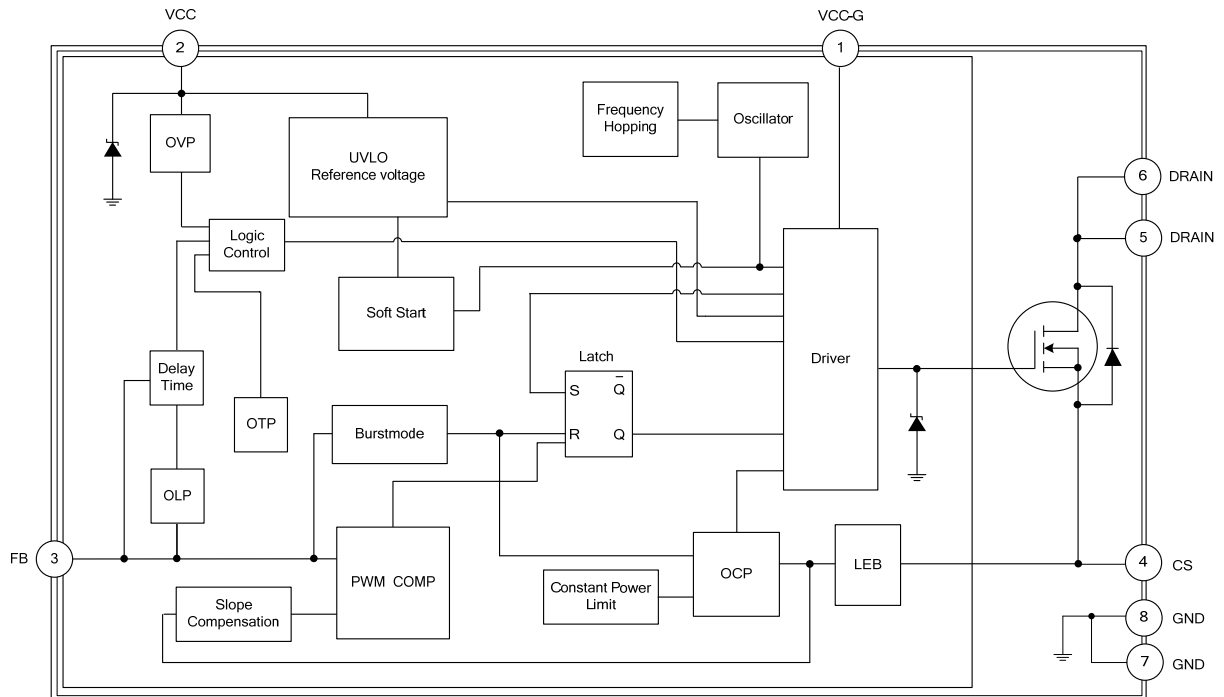
### ■ PIN CONFIGURATION



### ■ PIN DESCRIPTION

PIN NO.	PIN NAME	DESCRIPTION
1	VCC-G	Supply voltage
2	VCC	Supply voltage
3	FB	Feedback
4	CS	Current sense input
5	DRAIN	Power MOSFET drain
6	DRAIN	Power MOSFET drain
7	GND	Ground
8	GND	Ground

### ■ BLOCK DIAGRAM



- Notes:
- OLP (Over Load Protection)
  - OVP (Over Voltage Protection)
  - OTP (Over Temperature Protection)
  - OCP (Over Current Protection)
  - UVLO (Under Voltage Latch-Out)
  - LEB (Led Edge Blanking)

■ ABSOLUTE MAXIMUM RATING (Ta=25°C, unless otherwise specified)

PARAMETER	SYMBOL	RATINGS	UNIT
Supply Voltage	V <sub>CC</sub>	30	V
Input Voltage to FB Pin	V <sub>FB</sub>	-0.3 ~ 6.5	V
Input Voltage to CS Pin	V <sub>CS</sub>	-0.3 ~ 6.5	V
Junction Temperature	T <sub>J</sub>	+150	°C
Operating Temperature	T <sub>OPR</sub>	-40 ~ +125	°C
Storage Temperature	T <sub>STG</sub>	-50 ~ +150	°C

Note: Absolute maximum ratings are those values beyond which the device could be permanently damaged. Absolute maximum ratings are stress ratings only and functional device operation is not implied.

■ OPERATING RANGE

PARAMETER	SYMBOL	RATINGS	UNIT
Supply Voltage	V <sub>CC</sub>	8.6 ~ 22	V

■ ELECTRICAL CHARACTERISTICS (Ta=25°C, V<sub>CC</sub>=15V, unless otherwise specified)

PARAMETER	SYMBOL	TEST CONDITIONS	MIN	TYP	MAX	UNIT
<b>SUPPLY SECTION</b>						
Start Up Current	I <sub>ST</sub>	V <sub>CC</sub> = V <sub>THD(ON)</sub> -1V		22	45	μA
Supply Current with switch	I <sub>OP</sub>	V <sub>FB</sub> = 4V		8	10	mA
<b>UNDER-VOLTAGE LOCKOUT SECTION</b>						
Start Threshold Voltage	V <sub>THD(ON)</sub>		13.5	14.2	15	V
Min. Operating Voltage	V <sub>CC(MIN)</sub>		7.5	8.2	9	V
Hysteresis	V <sub>CC(HY)</sub>			6		V
<b>INTERNAL VOLTAGE REFERENCE</b>						
Reference Voltage	V <sub>REF</sub>	Guarantee by design	6.3	6.5	6.7	V
<b>CONTROL SECTION</b>						
Feedback Source Current	I <sub>FB</sub>	V <sub>FB</sub> =0		1.1		mA
V <sub>FB</sub> Operating Level	V <sub>FBMAX</sub>				3.5	V
Burst-Mode Out FB Voltage	V <sub>FB(OUT)</sub>	V <sub>CS</sub> =0		1.1		V
Reduce-Frequency end FB Voltage	V <sub>FB(END)</sub>	V <sub>CS</sub> =0		1.2		V
Burst-Mode Enter FB Voltage	V <sub>FB(IN)</sub>	V <sub>CS</sub> =0		0.9		V
Switching frequency	Normal initial	V <sub>FB</sub> = 4V Before enter burst mode	45	50	55	kHz
	Power-Saving		20		30	
Duty Cycle	D <sub>MAX</sub>	V <sub>FB</sub> =4V, V <sub>CS</sub> =0	64	72	80	%
Frequency Hopping	F <sub>J(SW)</sub>		±2.5	±4	±5.5	kHz
Frequency Variation VS V <sub>CC</sub> Deviation	F <sub>DV</sub>	V <sub>CC</sub> =10 to 20V			5	%
Frequency Variation VS Temperature Deviation	F <sub>DT</sub>	T=-25 to 105°C			5	%
Soft-Start Time	T <sub>SOFTS</sub>		2	4	6	ms
<b>PROTECTION SECTION</b>						
OVP threshold	V <sub>OVP</sub>	V <sub>FB</sub> =4V		23		V
OLP threshold	V <sub>FB(OLP)</sub>	V <sub>CS</sub> =0		3.7		V
Delay Time Of OLP	T <sub>D-OLP</sub>	C <sub>FB</sub> =47nF(From V <sub>FB</sub> =3.7V to Drain OFF)	35	65	95	ms
OTP Threshold	T <sub>(THR)</sub>		120	135	155	°C
<b>CURRENT LIMITING SECTION</b>						
Leading Edge Blanking Time	t <sub>LEB</sub>		270	350	450	nS
Peak Current Limitation	V <sub>CS</sub>	V <sub>FB</sub> =4V	0.88	0.95	1.03	V
Threshold Voltage For Valley	V <sub>SENSE-L</sub>	V <sub>FB</sub> =4V		0.75		V
<b>POWER MOS-TRANSISTOR SECTION</b>						
Drain-Source Breakdown Voltage	V <sub>DSS</sub>	V <sub>GS</sub> =0V, I <sub>D</sub> =250μA	650			V
Turn-on voltage between gate and source	V <sub>TH</sub>	V <sub>DS</sub> =V <sub>GS</sub> , I <sub>D</sub> =250μA	2		4	V
Drain-Source Diode Continuous Source Current	I <sub>S</sub>				2	A
Static Drain-Source On-State Resistance	R <sub>DS(ON)</sub>	V <sub>GS</sub> =10V, I <sub>D</sub> =2.25A			5	Ω
Rise Time	t <sub>R</sub>	V <sub>DD</sub> =300V, I <sub>D</sub> =4.0A RG=25Ω (Note 1,2)		45	100	ns
Fall Time	t <sub>F</sub>			35	80	ns

- Notes: 1. Pulse Test: Pulse width ≤ 300μs, Duty cycle ≤ 2%  
2. Essentially independent of operating temperature

## FUNCTIONAL DESCRIPTION

The internal reference voltages and bias circuit work at  $V_{CC} > V_{THD(ON)}$ , and shutdown at  $V_{CC} < V_{CC(MIN)}$ .

### (1) Soft-Start

When every IC power on, driver output duty cycle will be decided by inter-slope voltage  $V_{SOFTS}$  and  $V_{CS}$  on current sense resistor at beginning. After the whole soft-start phase end, and driver duty cycle depend on  $V_{FB}$  and  $V_{CS}$ . The relation among  $V_{SOFTS}$ ,  $V_{FB}$  and  $V_{OUT}$  as followed FIG.3. Furthermore, soft-start phase should end before  $V_{CC}$  reach  $V_{CC(MIN)}$  during  $V_{CC}$  power on. Otherwise, if soft-start phase remain not end before  $V_{CC}$  reach  $V_{CC(MIN)}$  during  $V_{CC}$  power on, IC will enter auto-restart phase and not set up  $V_{OUT}$ .

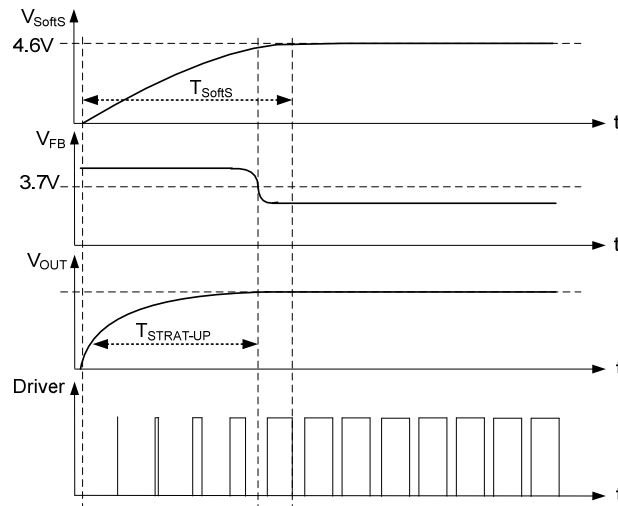


FIG.3 Soft-start phase

### (2) Switching Frequency Set

The maximum switching frequency is set to 50kHz. Switching frequency is modulated by output power  $P_{OUT}$  during IC operating. At no load or light load condition, most of the power dissipation in a switching mode power supply is from switching loss on the MOSFET transistor, the core loss of the transformer and the loss on the snubber circuit. The magnitude of power loss is in proportion to the number of switching events within a fixed period of time. So lower Switching frequency at lower load, which more and more improve IC's efficiency at light load. At from no load to light load condition, The IC will operate at from Burst mode to Reducing Frequency Mode. The relation curve between  $f_{SW}$  and  $P_{OUT}/P_{OUT(MAX)}$  as followed FIG.4.

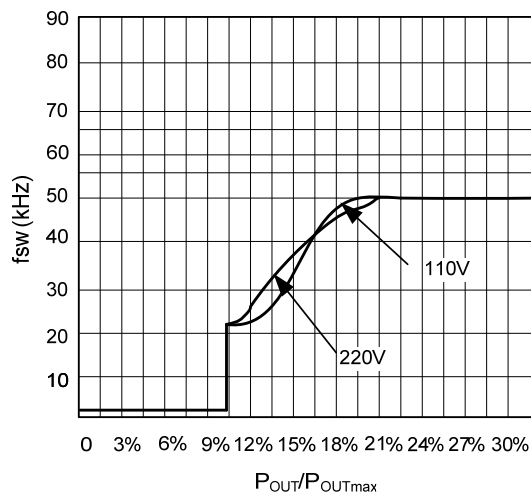


FIG.4 The relation curve between  $f_{sw}$  and relative output power  $P_{OUT}/ P_{OUT(MAX)}$

## ■ FUNCTIONAL DESCRIPTION(Cont.)

### (3) Internal Synchronized Slope Compensation

Built-in slope compensation circuit adds voltage ramp onto the current sense input voltage for PWM generation, this greatly improves the close loop stability at CCM and prevents the sub-harmonic oscillation and thus reduces the output ripple voltage.

### (4) Frequency Hopping For EMI Improvement

The Frequency Hopping is implemented in the IC; there are two oscillators built-in the IC. The first oscillator is to set the normal switching frequency; the switching frequency is modulated with a period signal generated by the 2nd oscillator. The relation between the first oscillator and the 2nd oscillator as followed FIG.5. So the tone energy is evenly spread out, the spread spectrum minimizes the conduction band EMI and therefore eases the system design in meeting stringent EMI requirement.

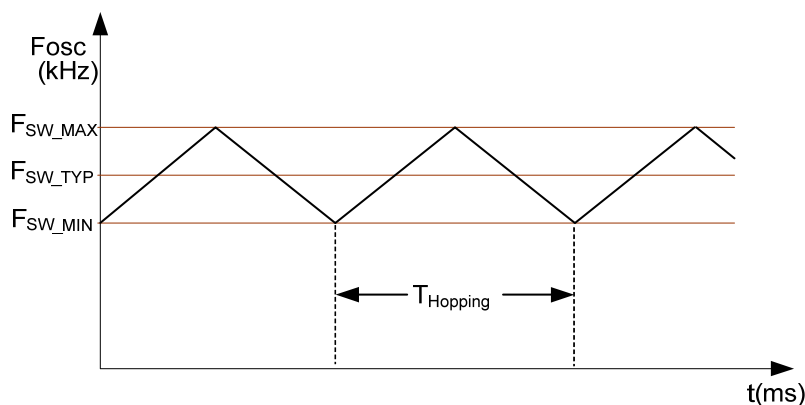


FIG.5 Frequency Hopping

### (5) Constant Output Power Limit

When the primary current, across the primary wind of transfer, reaches the limit current, around 1.2A, the output GATE drive will be turned off after a small propagation delay  $t_D$ . This propagation delay will introduce an additional current proportional to  $t_D \times V_{IN} / L_p$ . Since the propagation delay is nearly constant regardless of the input line voltage  $V_{IN}$ . Higher input line voltage will result in a larger additional current and hence the output power limit is also higher than that under low input line voltage. To compensate for this output power limit variation across a wide AC input range, the threshold voltage is adjusted by adding a positive ramp. This ramp signal rises from 0.75V to 0.95V, and then flattens out at 0.95V. A smaller threshold voltage forces the output GATE drive to terminate earlier. This reduces the total PWM turn-on time and makes the output power equal to that of low line input. This proprietary internal compensation ensures a constant output power limit for a wide AC input voltage range (90VAC to 264VAC).

### (6) Protection section

The IC takes on more protection functions such as OLP, OVP and OTP etc. In case of those failure modes for continual blanking time, the driver is shut down. At the same time, IC enters auto-restart,  $V_{CC}$  power on and driver is reset after  $V_{CC}$  power on again.

#### OLP

After power on, IC will shutdown driver if over load state occurs for continual  $T_{D-OLP}$ . OLP case as followed FIG.6. The test circuit as followed FIG.8.  $T_{D-OLP} \approx 2C_{FB} / 1.4$ .

#### OVP

OVP will shutdown the switching of the power MOSFET whenever  $V_{CC} > V_{OVP}$ . The OVP case as followed FIG.7. the test circuit as followed FIG.9.

## FUNCTIONAL DESCRIPTION(Cont.)

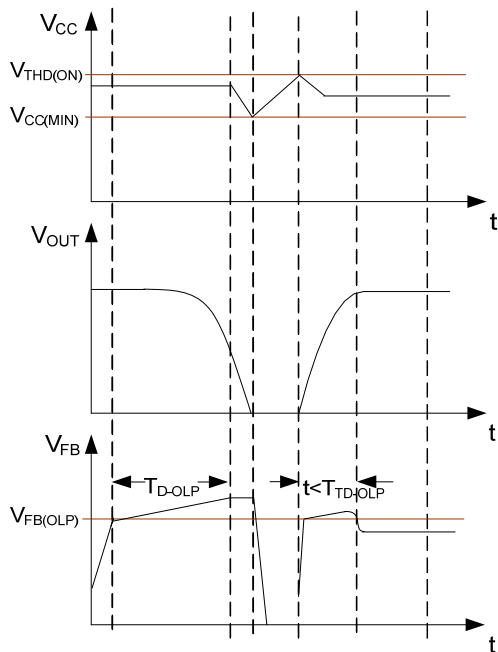


FIG.6 OLP case

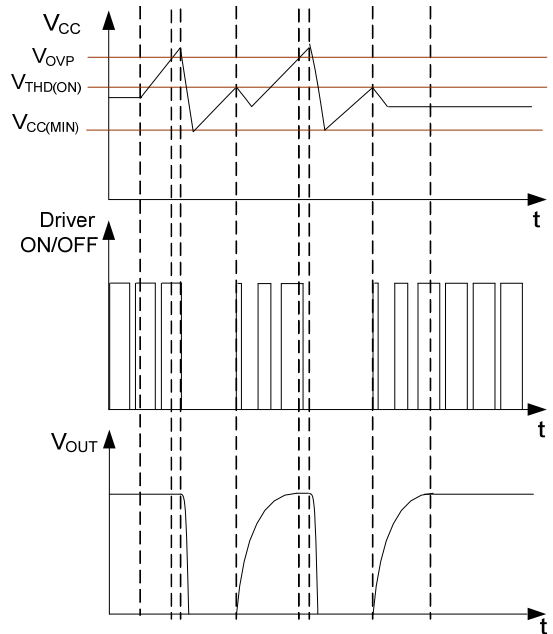


FIG.7 OVP case

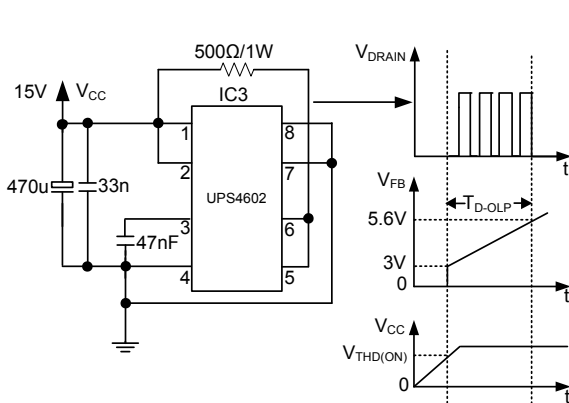


FIG.8 OLP test circuit

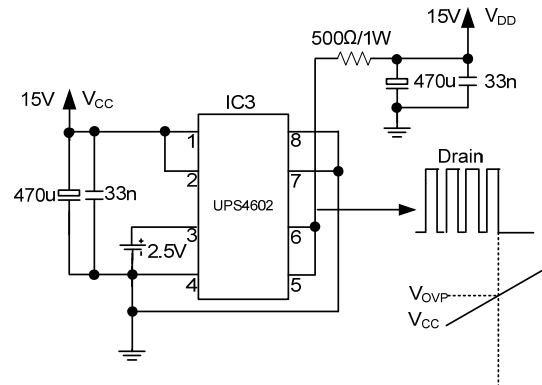


FIG.9 OVP test circuit

### OTP

OTP will shut down driver when junction temperature  $T_J > T_{(THR)}$  for continual a blanking time.

#### (7) Driver Output Section

The driver-stage drives the gate of the MOSFET and is optimized to minimize EMI and to provide high circuit efficiency. This is done by reducing the switch on slope when reaching the MOSFET threshold. This is achieved by a slope control of the rising edge at the driver's output. The output driver is clamped by an internal 15V Zener diode in order to protect power MOSFET transistors against undesirable gate over voltage.

#### (8) Inside power switch MOS transistor

Specific power MOS transistor parameter is as "POWER MOS TRANSISTOR SECTION" in electrical characteristics table.



## ■ TYPICAL APPLICATION CIRCUIT

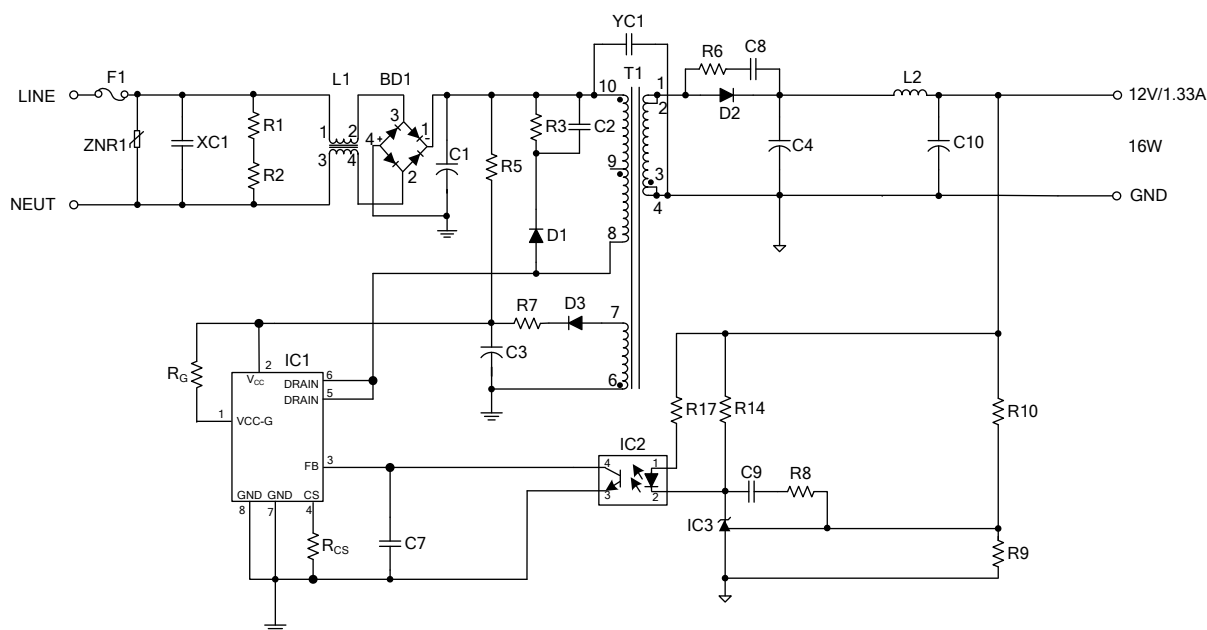


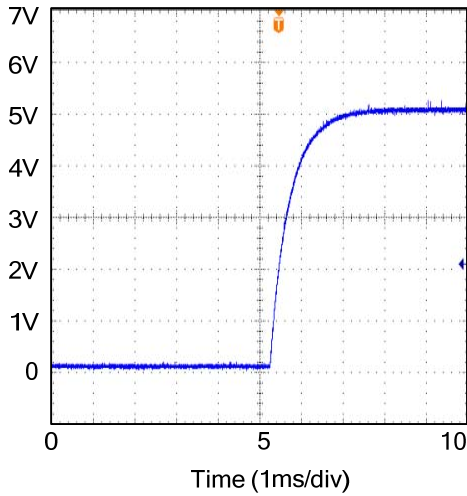
FIG.10 UTC UPS4602 Typical Application Circuit

Table1. Components reference description for UTC UPS4602 application circuit

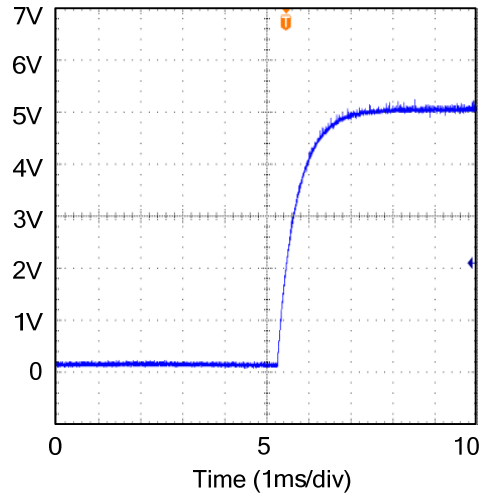
DESIGNATOR	PART TYPE	DESIGNATOR	PART TYPE	DESIGNATOR	PART TYPE
C1	33 $\mu$ F	R1	2.2M $\Omega$	D1	RS1M
C2	0.001 $\mu$ F	R2	2.2M $\Omega$	D2	SR39
C3	22 $\mu$ F	R3	100K $\Omega$	D3	RS1D
C4	470 $\mu$ F	R5	2M $\Omega$	IC1	UPS4602
C7	0.01 $\mu$ F	R6	30 $\Omega$	IC2	PC-817
C8	0.001 $\mu$ F	R7	15 $\Omega$	IC3	TL431
C9	0.1 $\mu$ F	R8	4.7K $\Omega$	YC1	102P/400V
C10	470 $\mu$ F	R9	3.92K $\Omega$	T1	EE22
		R10	15K $\Omega$	L1	UU9.8
		R14	1.8K $\Omega$	L2	2 $\mu$ H
		R17	510 $\Omega$	F1	1A/250V
		R <sub>G</sub>	0 $\Omega$	ZNR1	7D471K
		R <sub>CS</sub>	1 $\Omega$	XC1	0.1 $\mu$ F/250V
				BD1	KBP205

## TYPICAL CHARACTERISTICS

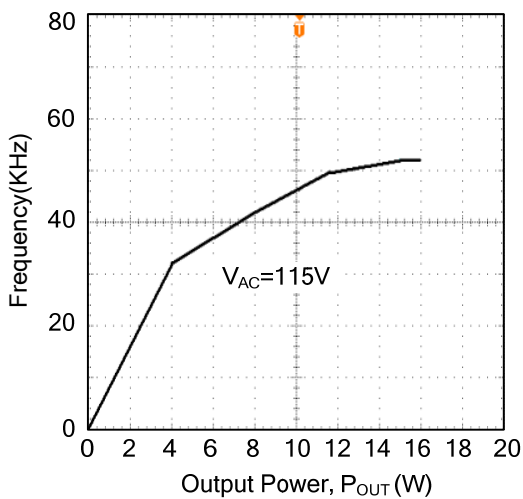
Feedback Voltage During Loadjump From 10% Up To 100% Load ( $V_{AC}=90V$ )



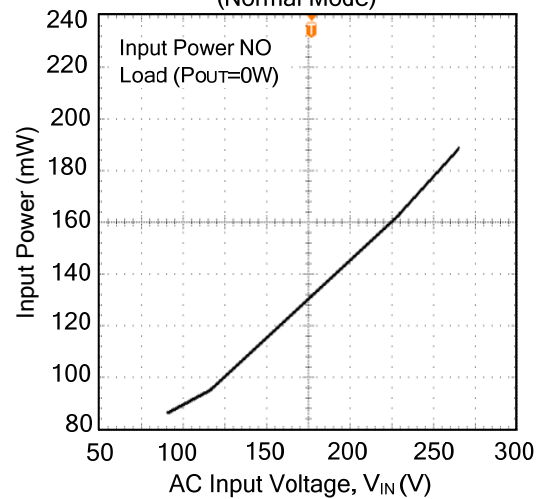
Feedback Voltage During Loadjump From 10% Up To 100% Load ( $V_{AC}=264V$ )



Frequency vs. Output Power



NO Load Input Power vs. Line Voltage (Normal Mode)



UTC assumes no responsibility for equipment failures that result from using products at values that exceed, even momentarily, rated values (such as maximum ratings, operating condition ranges, or other parameters) listed in products specifications of any and all UTC products described or contained herein. UTC products are not designed for use in life support appliances, devices or systems where malfunction of these products can be reasonably expected to result in personal injury. Reproduction in whole or in part is prohibited without the prior written consent of the copyright owner. The information presented in this document does not form part of any quotation or contract, is believed to be accurate and reliable and may be changed without notice.