

**P/N: VP2006Z DATA SHEET**

Page : 1/1

Feature

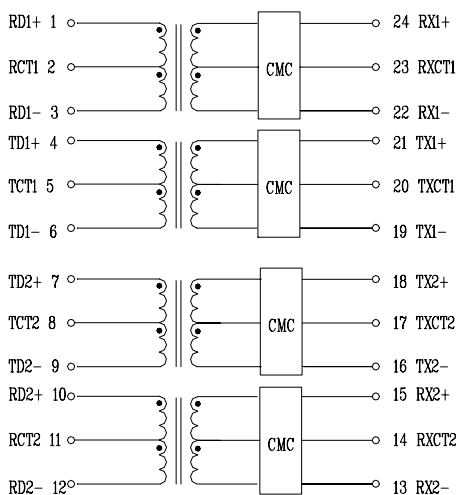
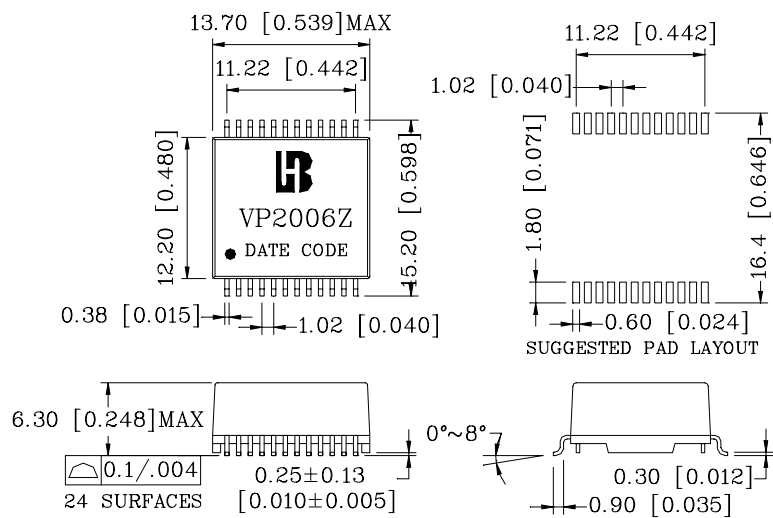
- IEEE 802.3af/ANSI X3.263 compliant performance.
- 350mA current capability.
- Designed for IP phone or switch applications.
- Compact footprint.
- The mold offer Auto MDIX capability.
- Operating temperature range : 0°C to +70°C.
- Storage temperature range: -25°C to +125°C.

Electrical Specifications @ 25°C

Part Number	Turns Ratio (±5%)		Insertion Loss (dB Max)	HI-POT (Vrms)
	TX	RX		
VP2006Z	1CT:1CT	1CT:1CT	-1.2	1500

Continue

Part Number	Return Loss (dB Min)@ Load 100Ω				Cross talk Attenuation (dB Min)			DCMR (dB Min)		
	1-30MHz	40MHz	50MHz	60-80MHz	30MHz	60MHz	100MHz	30MHz	60MHz	100MHz
VP2006Z	-14	-13	-12	-10	-40	-35	-30	-40	-35	-30

Schematic**Mechanical**

Units: mm[Inches] Tolerance: xx.x0±0.25[0.010]
0.xx±0.05[0.002]