

**P/N: VP2019ZM LF DATA SHEET**

Page : 1/1

Feature

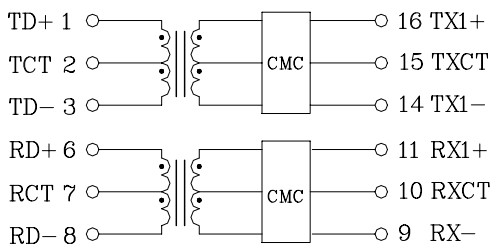
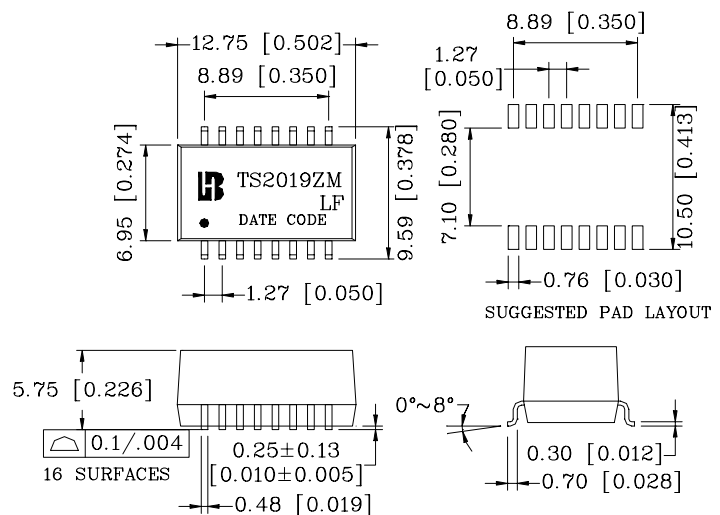
- IEEE 802.3af/ANSI X3.263 compliant performance.
- 350mA current capability.
- Designed to for IP phone or switch applications.
- Compact footprint.
- Lead free for external pins.
- Operating temperature range: -40°C to +85°C.
- Storage temperature range: -40°C to +125°C.

Electrical Specifications @ 25°C

Part Number	Turns Ratio (±5%) TX/RX	OCL(Min) @100KHz/0.1V with 8mA DC Bias	Cross talk (dB Min)			HI-POT (Vrms)
			30MHz	60MHz	100 MHz	
VP2019ZM LF	1CT:1CT	320	-45	-40	-35	1500

Continue

Part Number	Insertion Loss (dB Max)	Return Loss (dB Min)@ Load 100Ω			
		1-100MHz	1-30MHz	40MHz	50MHz
VP2019ZM LF	-1.4	-18	-14	-13	-12

Schematic**Mechanical**

Units: mm[Inches] Tolerance: xx.x0±0.25[0.010]
0.xx±0.05[0.002]