

PLEASE CHECK WWW.MOLEX.COM FOR LATEST PART INFORMATION

Part Number: [0470192402](#)
Status: **Active**
Overview: sim smart card
Description: 2.54mm (.100") Pitch SIM Card Connector, 6 Circuits, Housing Height 2.40mm (.094"), Lead Free

Documents:

[3D Model](#) [RoHS Certificate of Compliance \(PDF\)](#)
[Drawing \(PDF\)](#)

General

Product Family	Memory Card Sockets
Series	47019
Button Type	N/A
Comments	Housing Height: 2.40mm (.094")
Component Type	Header/Socket (Host)
Overview	sim smart card
Product Name	SIM
Type	N/A

Physical

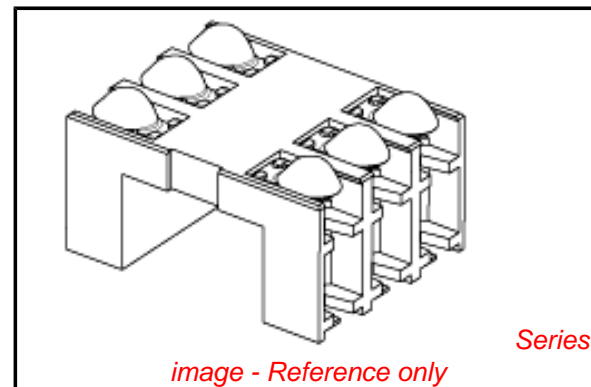
Card Detection Switch	No
Circuits (Loaded)	6
Circuits (maximum)	6
Color - Resin	Black
Durability (mating cycles max)	3,000
Ejector Button Side	No Ejector Button Present
Entry Angle	90° Angle (Side Entry), Vertical (Top Entry)
Keying to Mating Part	None
Material - Metal	Phosphor Bronze
Material - Plating Mating	Gold
Material - Plating Termination	Gold
Material - Resin	High Temperature Thermoplastic
PCB Locator	No
PCB Mounting Side	Reverse
PCB Retention	None
Packaging Type	Embossed Tape on Reel
Pitch - Mating Interface (in)	0.100 In
Pitch - Mating Interface (mm)	2.54 mm
Pitch - Term. Interface (in)	0.100 In
Pitch - Term. Interface (mm)	2.54 mm
Plating min: Mating (µin)	32
Plating min: Mating (µm)	0.8
Plating min: Termination (µin)	2
Plating min: Termination (µm)	0.05
Ports	0
Temperature Range - Operating	-30°C to +85°C
Termination Interface: Style	Surface Mount

Electrical

Current - Maximum per Contact	0.5A
Shielded	No
Voltage - Maximum	15V DC

Solder Process Data

Duration at Max. Process Temperature (seconds)	10
--	----



EU RoHS

**ELV and RoHS
Compliant**
**REACH SVHC
Contains SVHC: No**
**Halogen-Free
Status**

China RoHS



**Need more information on product
environmental compliance?**

Email productcompliance@molex.com
 For a multiple part number RoHS Certificate of Compliance, [click here](#)

Please visit the [Contact Us](#) section for any non-product compliance questions.

Search Parts in this Series

[47019Series](#)

Mates With

Standard SIM Card

Lead-free Process Capability
Max. Cycles at Max. Process Temperature
Process Temperature max. C

Reflow Capable (SMT only)
1
250

Material Info

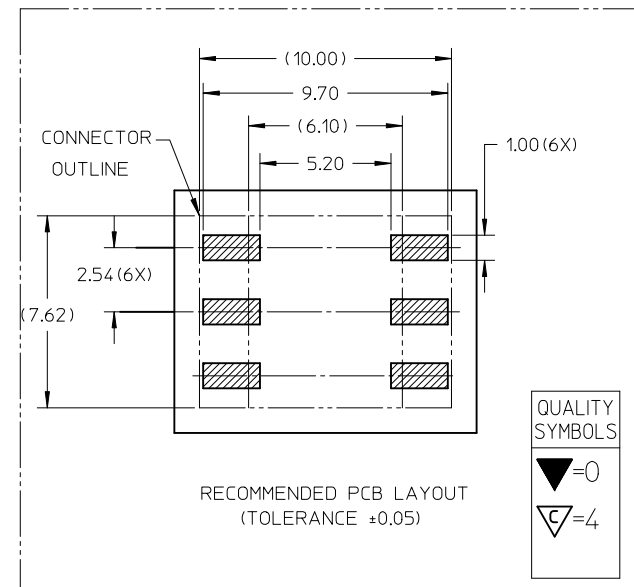
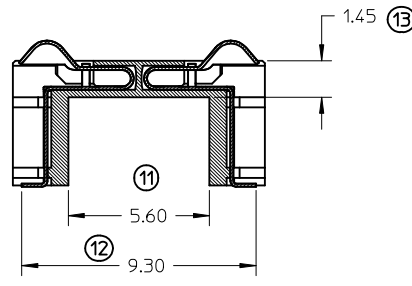
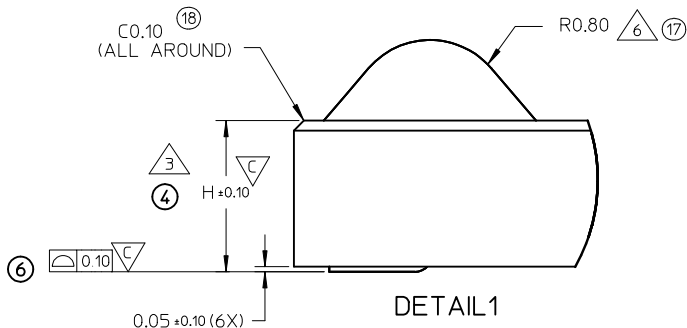
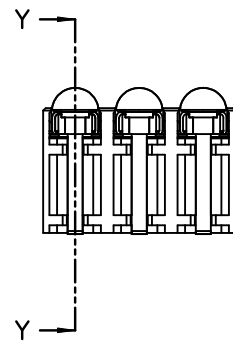
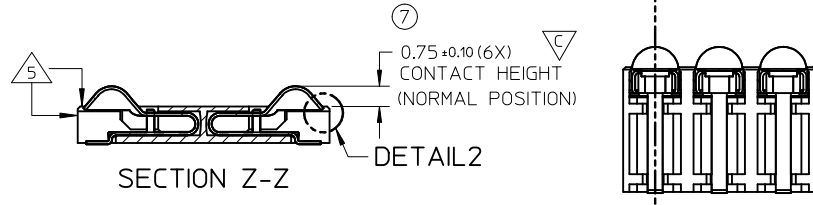
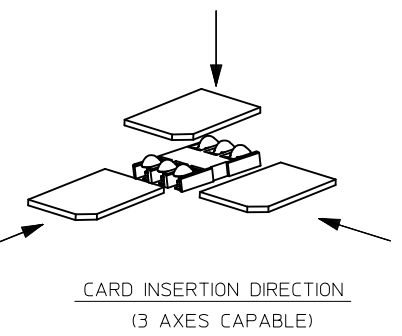
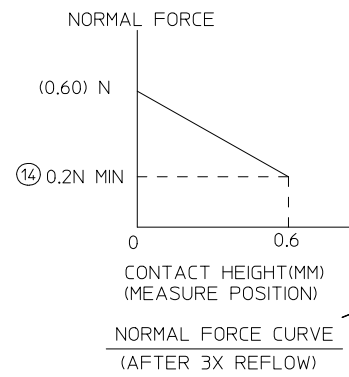
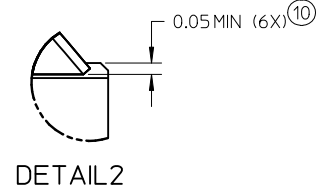
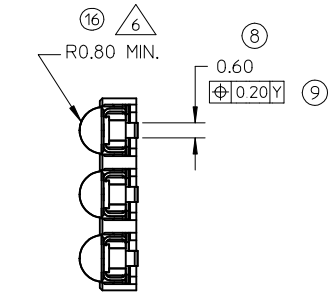
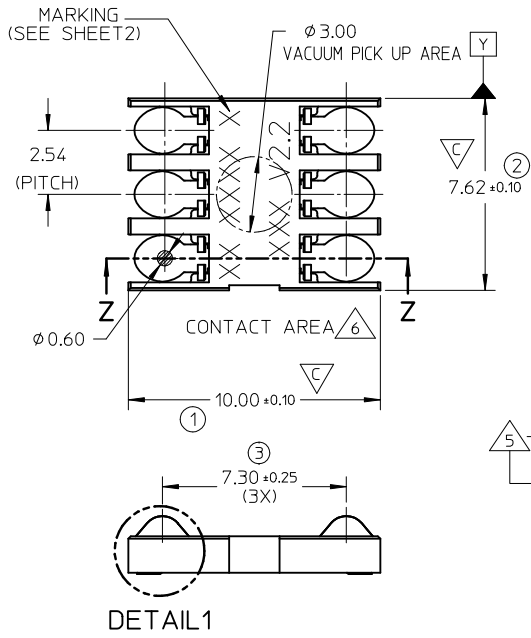
Reference - Drawing Numbers

Sales Drawing

SD-47019-001

This document was generated on 05/27/2010

PLEASE CHECK WWW.MOLEX.COM FOR LATEST PART INFORMATION



QUALITY SYMBOLS

▽=0
▽=4

- NOTES:**
- 1 MATERIAL:
 - 1-1 HOUSING : LCP 30% GLASS FILL, UL94 V-0,COLOR BLACK
 - 1-2 TERMINAL : PHOSPHOR BRONZE 0.12MM REF THICKNESS
 - 2 PLATING:TERMINAL:
 - 2-1 SIM SIDE (CONTACT AREA): 0.8 MICROMETER MIN GOLD
 - 2-1 SOLDER TAIL : GOLD FLASH 0.05 MICROMETER MIN
 - 2-3 UNDERPLATING : 2 MICROMETER NICKEL OVERALL
 - 3 H DIMENSION MINIMUM=1.50,MAXIMUM=5.00(SEE CHART ON SHEET2)
 - 4 NO SHARP EDGES INTERFACING WITH THE PCB OR SIM CARD
 - 5 CONTACT MUST NOT EXTENDED BEYOND HOUSING EDGE DURING DEFLECTION AND MUST LOWER THAN HOUSING LEVEL AFTER 3 TIMES REFLOW
 - 6 MAINTAIN IN CONTACT AREA

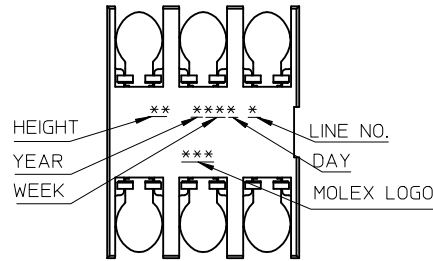
RELEASED EC NO:58122000-003555 DRWN:JL1U39 CHKD:LANDY APPR:WFDENG 2010/03/10 2010/03/10 2010/04/02	QUALITY SYMBOLS ▽=0 ▽=0 ▽=0	GENERAL TOLERANCES (UNLESS SPECIFIED)		DIMENSION STYLE MM ONLY		SCALE NTS	DESIGN UNITS METRIC	THIRD ANGLE PROJECTION		
		mm	INCH	DRAWN BY	DATE	TITLE				
		4 PLACES ± ---	± ---	JLU	2004/03/21	6 CKT SCALABLE SIM CONNECTOR				
		3 PLACES ± ---	± ---	CHECKED BY	DATE	MOLEX INCORPORATED				
2 PLACES ± 0.10	± ---	YJWU	2004/03/21	MATERIAL NO. DOCUMENT NO.						
1 PLACE ± 0.2	± ---	APPROVED BY	DATE	SEE TABLE SD-47019-001						
ANGULAR ± 2 °		WFDENG	2010/03/29	SHEET NO. 1 OF 2						
DRAFT WHERE APPLICABLE MUST REMAIN WITHIN DIMENSIONS		THIS DRAWING CONTAINS INFORMATION THAT IS PROPRIETARY TO MOLEX INCORPORATED AND SHOULD NOT BE USED WITHOUT WRITTEN PERMISSION								

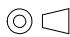
10	
9	
8	
7	
6	
5	
4	
3	
2	
1	

PART NUMBER	DIM H
470192002	2.0
470192402	2.4

HEIGHT	YEAR	WEEK	DAY	LINE NO.	MOLEX LOGO		
15--50	0--9	01--52	1--7	1--	MSH	MCH	MCD
Example 20	Example 0-2010	Example 13	Example 1	Example 2	PRODUCE IN SHANGHAI	PRODUCE IN DONG GUAN	PRODUCE IN CHENG DU

 PRODUCTION TOOL PART PRINTED DATE CODE



RELEASED EC NO: 58122000-00355 DRWN: JLU39 CHKD: LANDY APPR: WFDENG	2010/03/10 2010/03/10 2010/04/02	DESCRIPTION REV	QUALITY SYMBOLS	GENERAL TOLERANCES (UNLESS SPECIFIED)	DIMENSION STYLE	SCALE	DESIGN UNITS	THIRD ANGLE PROJECTION	
			$F_A=0$	mm INCH	MM ONLY	NTS	METRIC		
			$F_C=0$	4 PLACES ± --- ± ---	DRAWN BY DATE				
			$F_P=0$	3 PLACES ± --- ± ---	JLU 2004/03/21				
	2 PLACES ± 0.10 ± ---	CHECKED BY DATE							
	1 PLACE ± 0.2 ± ---	Y JWU 2004/03/21							
	ANGULAR ± 2 °	APPROVED BY DATE							
		WFDENG 2010/03/29							
		MATERIAL NO.							
		SEE TABLE							
		SIZE							
		A3							

TITLE		6 CKT SCALABLE SIM CONNECTOR	
MATERIAL NO.		SD-47019-001	
DOCUMENT NO.		SHEET NO.	
		2 OF 2	