

TITLE
TRANSFORMER
HDSL 1168 kbps

SCHOTT
 CORPORATION
 1000 PARKERS LAKE ROAD
 WAYZATA, MN 55391

AGENCY APPROVAL:
 N/A

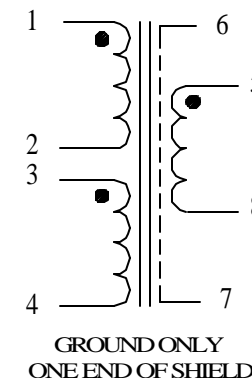
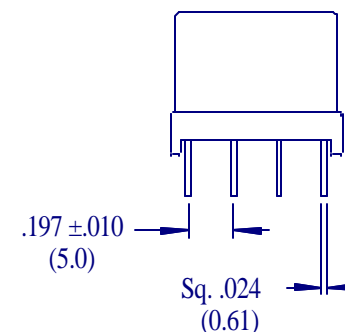
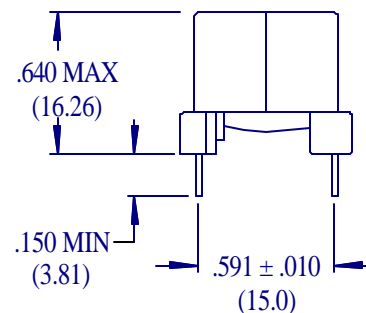
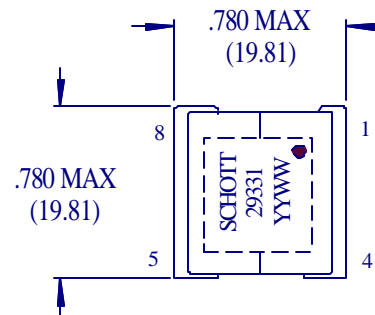
PART NUMBER
29331
 REV C PAGE 1 END

SPECIFICATIONS

TEMP CLASS 105°C

1. INDUCTANCE: (1-2-3-4) @ 10 Khz, 0.1V = 2 mhy ±3%
2. TURNS RATIO: (1-2):(3-4):(5-8) = 1:1:1 ±2%
3. LEAKAGE INDUCTANCE: (1-2-3-4) @ 100 Khz,
 WITH (5-8) SHORTED < 40 μhy
4. INTERWINDING CAPACITANCE: (5-8) TO (1-2-3-4)
 with the shield grounded @ 100 Khz < 75 pf
5. DC RESISTANCE: (5-8) = 1.00 OHMS ±10%
 (1-2),(3-4), = 1.25 OHMS ±10%
6. RETURN LOSS: (1-2-3-4) 135 OHMS REF,
 32 OHMS, .01 μf LOAD ON (5-8)
 40 - 200 Khz > 17 dB
7. LONGITUDINAL BALANCE: 1-2-3-4 @ 135OHMS
 200 Khz > 50 dB
8. HARMONIC DISTORION: 135 OHMS, 100 Khz, 160mADC,
 5Vp-p > -70 dB
10. DIELECTRIC STRENGTH: 2500 AC (1-2-3-4) TO (5-6)
11. INSULATION RESISTANCE: @ 500 Vdc > 500 MEGOHMS

DESIGNED FOR USE WITH BROOKTREE 8921/8952



GROUND ONLY
 ONE END OF SHIELD

inches
 (mm)

TOLERANCES UNLESS OTHERWISE NOTED	2 PLACE	3 PLACE	ANGLE
	± .01	± .005	± °