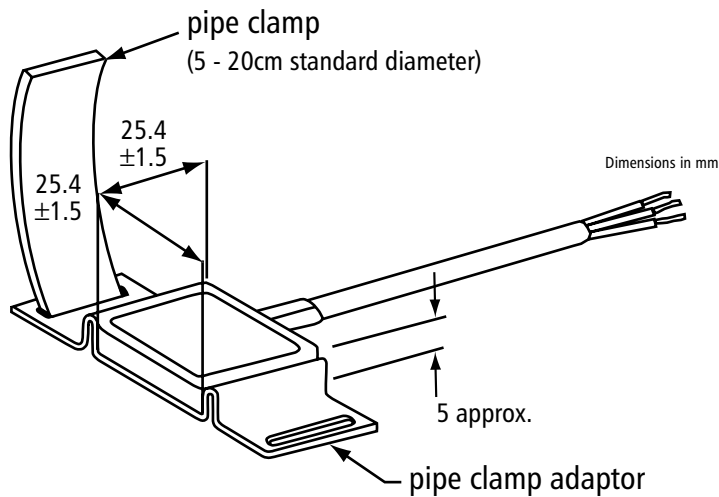


0.5 sec response time, 100Ω pipe clamp fitting RTD type 29393

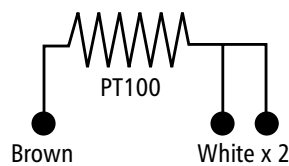


This 100R IEC 751 class B sensor has very fast response and is ideal for industrial control applications. The pipe clamp fitting allows a fast non intrusive installation. Other pipe clamp sizes can be made available up to 90cm diameter.

- Three wire class B
- Non penetrating
- Low cost installation
- Sealed for condensing environments
- Time constant is <0.5 seconds
- Long-term stability better than 0.05 °C per 5 years



Three wire configuration



Specifications

Resistance	100R at 0 °C
Accuracy	±0.12R
Stability	0.05 °C
Temperature range	-200 °C to 232 °C
Self heating	>25mW/ °C mounted
Time constant	<0.5 seconds
Lead length	1 metre approx.