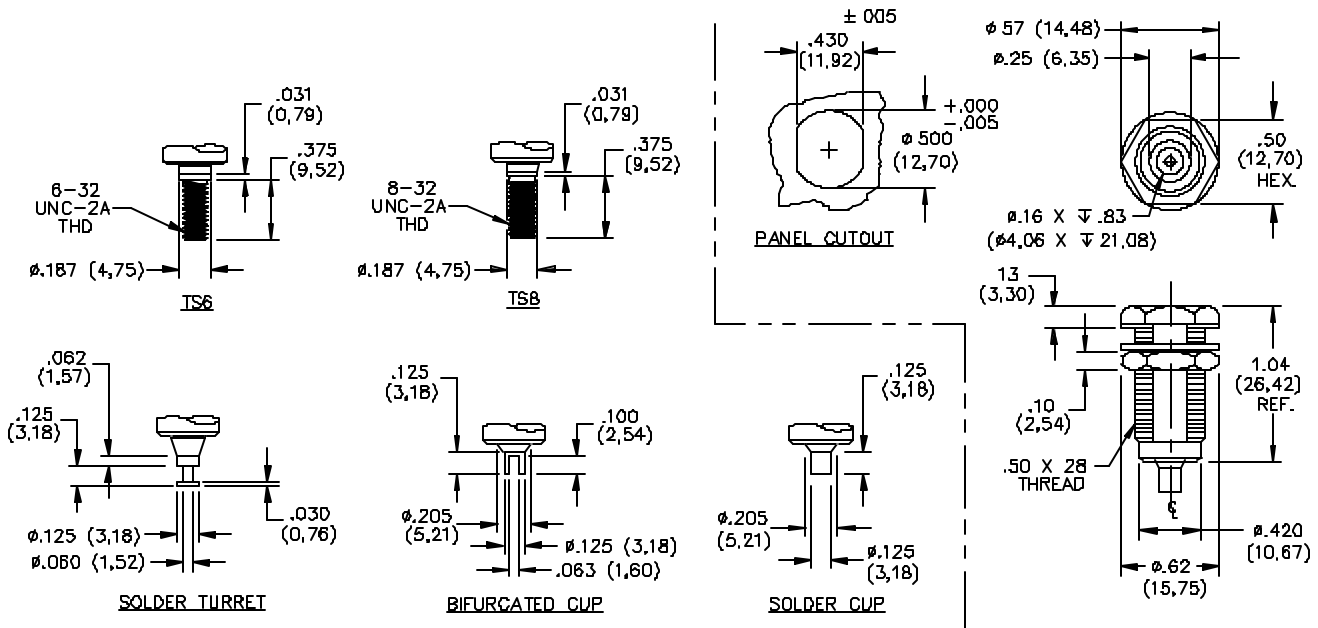


Model 6387 Banana Jack, Panel Mount, 4mm For Sheathed Banana Plugs



Recommended Maximum Panel Thickness: .57" (15mm)

FEATURES:

- Banana Jack mates to all popular shrouded and unshrouded DMM plugs
- Meets IEC 1010-2-031 CAT III 1000V

MATERIALS:

Banana Jack: Brass, see ordering information for plating

Insulation: Nylon, see ordering information for color

Nut: Brass, Nickel Plated

RATINGS:

Operating Voltage: 1000 VRMS Max.

Current: 15 Amperes Max.

ORDERING INFORMATION: Model 6387-T-P-C. Sold in packs of ten.

T = Terminal Type = SC=(Solder Cup), ST=(Solder Turret), BC=(Bifurcated Cup),

TS6= (Threaded Stud #6-32), TS8=(Threaded Stud #8-32)

P = Plating Options =T=(Tin), G=(Gold), N=(Nickel)

C = Color Options = 0=Black, 1=Brown, 2=Red, 3=Orange, 4=Yellow, 5=Green, 6=Blue, 7=Violet, 8=Gray, 9=White. Sold in packages of ten.

All dimensions are in inches. Tolerances (except noted): .xx = ±.02" (.51 mm), .xxx = ± .005" (.127 mm).

All specifications are to the latest revisions. Specifications are subject to change without notice.

Registered trademarks are the property of their respective companies. Made in USA

Sales: 800-490-2361 Fax: 888-403-3360
Technical Assistance: 800-241-2060

PomonaACCESS 90837 (800) 444-6785 or (425) 446-6010
More drawings available at www.pomonaelectronics.com