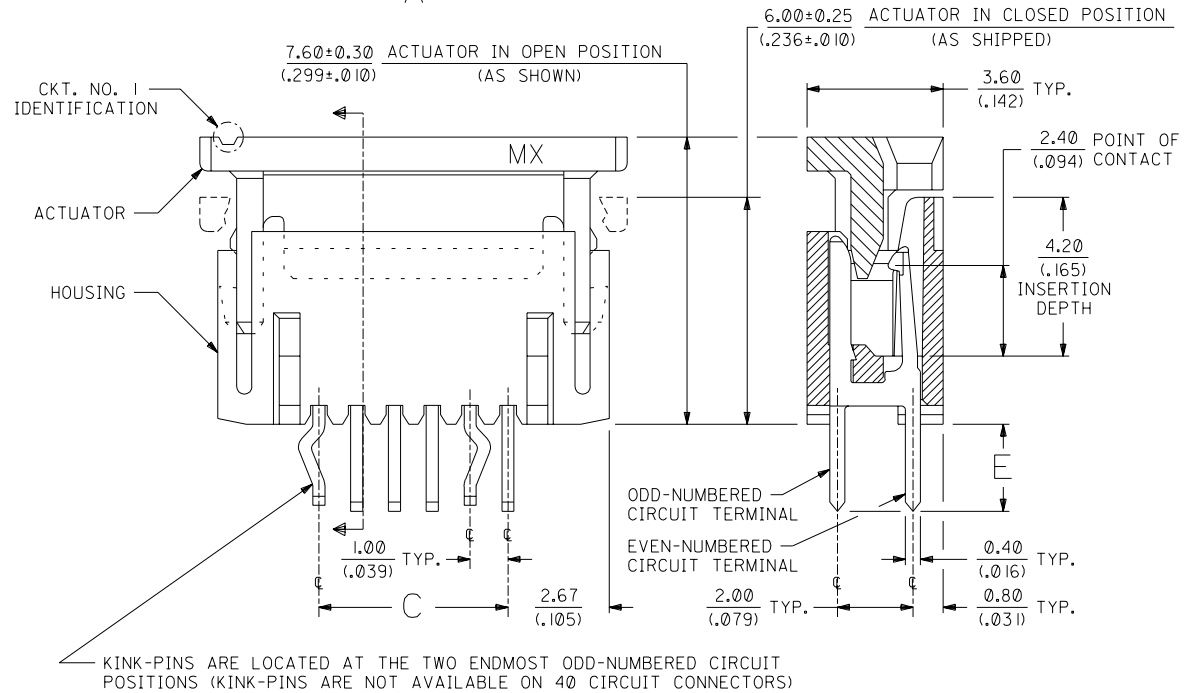
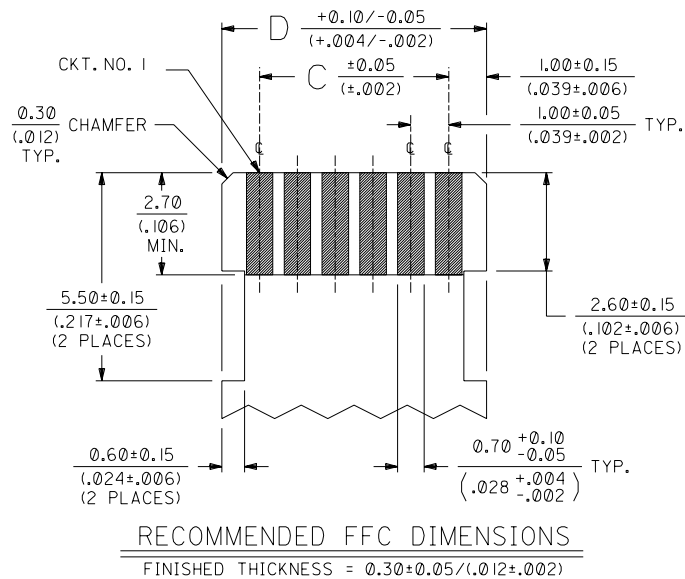
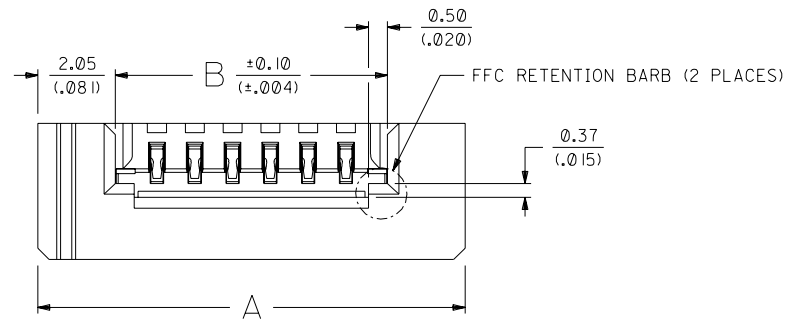


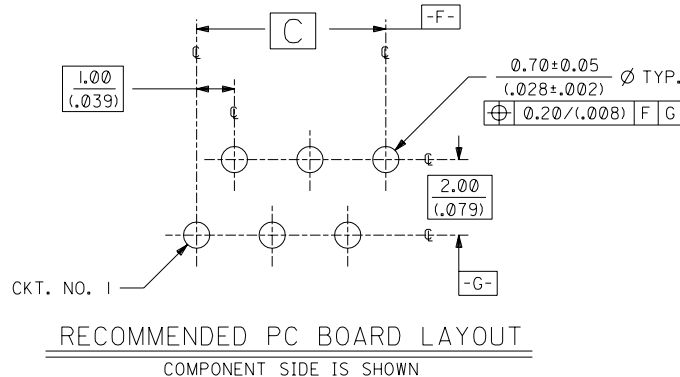
NOTES:

- CONNECTOR MATERIALS:  
HOUSING IS MADE OF NYLON (COLOR IS NATURAL) AND ACTUATOR IS MADE OF LCP [LIQUID CRYSTAL POLYMER] (COLOR IS GREEN), BOTH ARE GLASS-FILLED AND RATED U.L. 94V-0; TERMINALS ARE 0.32/(.013) THICK PHOSPHOR BRONZE.
- TERMINAL FINISH:  
5.0 MICROMETERS/200 MICRONS MINIMUM TIN OVER 1.3 MICROMETERS/ 50 MICRONS MINIMUM NICKEL UNDERPLATE OVERALL.
- THIS CONNECTOR CONFORMS TO PRODUCT SPECIFICATION PS-71226.
- SEE SHEET 2 FOR CONNECTOR PART NUMBERS, PACKAGING OPTIONS, AND DIMENSIONS NOT SHOWN BELOW.
- DRAWING IS DIMENSIONED METRIC/(INCHES); ALL UNTOLERANCED DIMENSIONS ARE SHOWN FOR REFERENCE ONLY.
- PART IS DESIGNED IN METRIC; DIMENSIONS IN INCHES ARE SHOWN FOR REFERENCE ONLY.



NOTE FOR LEAD FREE CONVERSION:

THE PRIMARY SHIPPING CARTON WILL BE LABELED "COMPLIANT TO ROHS DIRECTIVE 2002/95/EC AND ELV ANNEX II OF DIRECTIVE 2000/53/EC". CARTONS WITHOUT THIS LABEL MAY CONTAIN PRODUCT WITH LEAD.



LTR.	REVISIONS	LTR.	REVISIONS	LTR.	REVISIONS	DIMENSIONS SHOWN (METRIC) INCH UNLESS OTHERWISE SPECIFIED TOLERANCES: ANGULAR ± 1/2° 3 PLACE ± .005 2 PLACE ± ± .013 1 PLACE ± ± DRAFT WHERE APPLICABLE MUST REMAIN WITHIN DIMENSIONS DRWG. BY GLT CHK'D. BY CAB APP'D. BY CAB SCALE 10 : 1	FILE NAME SD71226.DGN THIS DRAWING CONTAINS INFORMATION THAT IS PROPRIETARY TO MOLEX INC. AND SHOULD NOT BE USED WITHOUT WRITTEN PERMISSION.	REVISIONS ONLY ON CAD SYSTEM TITLE 1.00mm/(.039) PITCH, ZIF, FFC CONNECTOR WITH FFC RETENTION BARBS MOLEX INCORPORATED SHEET NO. 1 OF 2 DATE 12/15/92 PART NO. SD-71226-***1 DRWG. NO. SD-71226-***1 DIV. CPP
------	-----------	------	-----------	------	-----------	--	---	--

2	D
1	E

MFG. SH. REV.

PACKAGED IN TRAYS PER PK-70873-0246

CKT SIZE	ITEM NUMBER	X=NOT TOOLED	DIM A	DIM B	DIM C	DIM D	DIM E
4	71226-0421		9.30/(.366)	5.20/(.205)	3.00/(.118)	5.00/(.197)	2.25±0.20 (.089±.008)
6	71226-0621		11.30/(.445)	7.20/(.283)	5.00/(.197)	7.00/(.276)	
8	71226-0821		13.30/(.524)	9.20/(.362)	7.00/(.276)	9.00/(.354)	
10	71226-1021		15.30/(.602)	11.20/(.441)	9.00/(.354)	11.00/(.433)	
12	71226-1221		17.30/(.681)	13.20/(.520)	11.00/(.433)	13.00/(.512)	
14	71226-1421		19.30/(.760)	15.20/(.598)	13.00/(.512)	15.00/(.591)	
16	71226-1621		21.30/(.839)	17.20/(.677)	15.00/(.591)	17.00/(.669)	
18	71226-1821		23.30/(.917)	19.20/(.756)	17.00/(.669)	19.00/(.748)	
20	71226-2021		25.30/(.996)	21.20/(.835)	19.00/(.748)	21.00/(.827)	
22	71226-2221		27.30/(1.075)	23.20/(.913)	21.00/(.827)	23.00/(.906)	
24	71226-2421		29.30/(1.154)	25.20/(.992)	23.00/(.906)	25.00/(.984)	
26	71226-2621		31.30/(1.232)	27.20/(1.071)	25.00/(.984)	27.00/(1.063)	
28	71226-2821		33.30/(1.311)	29.20/(1.150)	27.00/(1.063)	29.00/(1.142)	
30	71226-3021		35.30/(1.390)	31.20/(1.228)	29.00/(1.142)	31.00/(1.220)	
40	71226-4021	X	45.30/(1.783)	41.20/(1.622)	39.00/(1.536)	41.00/(1.614)	
4	71226-0431		9.30/(.366)	5.20/(.205)	3.00/(.118)	5.00/(.197)	3.15±0.20 (.124±.008)
6	71226-0631		11.30/(.445)	7.20/(.283)	5.00/(.197)	7.00/(.276)	
8	71226-0831		13.30/(.524)	9.20/(.362)	7.00/(.276)	9.00/(.354)	
10	71226-1031		15.30/(.602)	11.20/(.441)	9.00/(.354)	11.00/(.433)	
12	71226-1231		17.30/(.681)	13.20/(.520)	11.00/(.433)	13.00/(.512)	
14	71226-1431		19.30/(.760)	15.20/(.598)	13.00/(.512)	15.00/(.591)	
16	71226-1631		21.30/(.839)	17.20/(.677)	15.00/(.591)	17.00/(.669)	
18	71226-1831		23.30/(.917)	19.20/(.756)	17.00/(.669)	19.00/(.748)	
20	71226-2031		25.30/(.996)	21.20/(.835)	19.00/(.748)	21.00/(.827)	
22	71226-2231		27.30/(1.075)	23.20/(.913)	21.00/(.827)	23.00/(.906)	
24	71226-2431		29.30/(1.154)	25.20/(.992)	23.00/(.906)	25.00/(.984)	
26	71226-2631		31.30/(1.232)	27.20/(1.071)	25.00/(.984)	27.00/(1.063)	
28	71226-2831		33.30/(1.311)	29.20/(1.150)	27.00/(1.063)	29.00/(1.142)	
30	71226-3031		35.30/(1.390)	31.20/(1.228)	29.00/(1.142)	31.00/(1.220)	
40	71226-4031	X	45.30/(1.783)	41.20/(1.622)	39.00/(1.536)	41.00/(1.614)	

71226

D		SEE SHEET I	AI	SEE SHEET I	<small>DIMENSIONS SHOWN (METRIC) INCH</small> <small>UNLESS OTHERWISE SPECIFIED TOLERANCES: ANGULAR ± 1/2°</small> <table border="1"> <tr><th colspan="2">INCH</th><th colspan="2">METRIC</th></tr> <tr><td>3 PLACE</td><td>±</td><td>---</td><td>---</td></tr> <tr><td>2 PLACE</td><td>±</td><td>---</td><td>±</td></tr> <tr><td>1 PLACE</td><td>---</td><td>---</td><td>±</td></tr> </table>	INCH		METRIC		3 PLACE	±	---	---	2 PLACE	±	---	±	1 PLACE	---	---	±
INCH		METRIC																			
3 PLACE	±	---	---																		
2 PLACE	±	---	±																		
1 PLACE	---	---	±																		
CI		SEE SHEET I	A	SEE SHEET I																	
LTR.	REVISIONS	LTR.	REVISIONS																		

DRWG. BY: GLT	CHK'D. BY: CAB	SCALE: :
APP'D. BY: CAB		

<small>PROB</small> MOLEX INCORPORATED LISLE, ILL. 60532 U.S.A.	SHEET NO. 2 DATE 12/15/92
PART NO. SEE CHART DRWG. NO. SD-71226-***I	DIV. CPP SIZE C

MFG. SH. REV. TITLE: 1.00mm/(.039) PITCH, ZIF, FFC CONNECTOR WITH FFC RETENTION BARBS THIS DRAWING CONTAINS INFORMATION THAT IS PROPRIETARY TO MOLEX INC. AND SHOULD NOT BE USED WITHOUT WRITTEN PERMISSION.
--