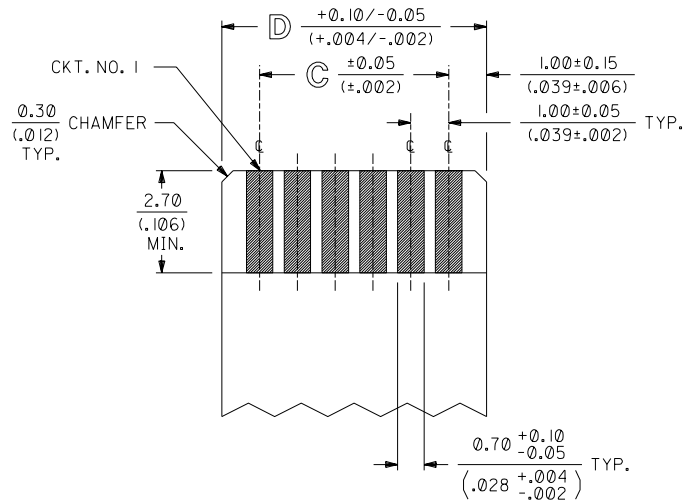
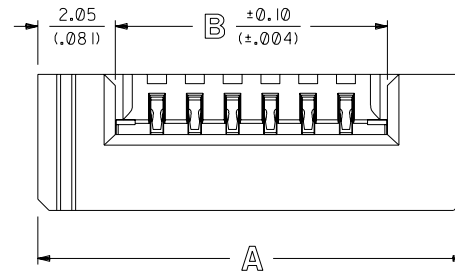
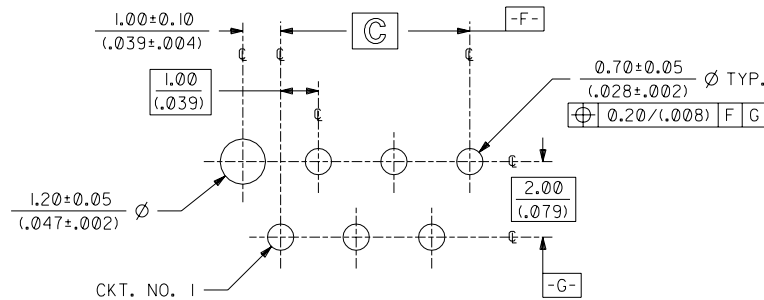


NOTES:

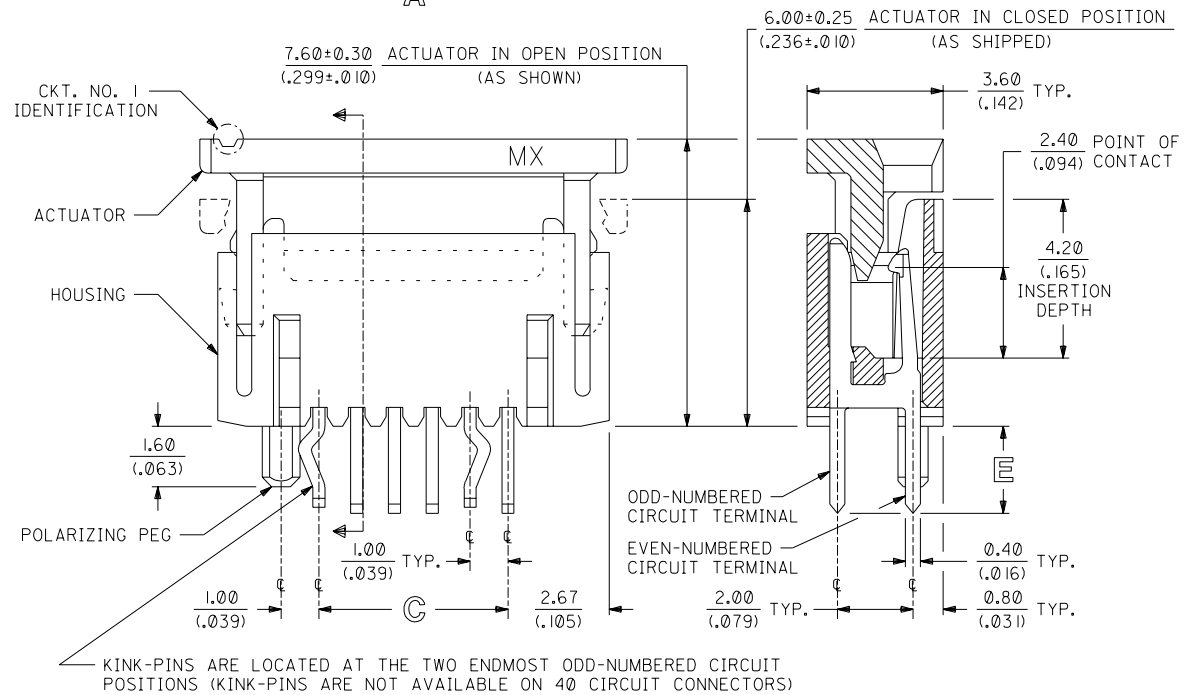
- CONNECTOR MATERIALS:
HOUSING IS MADE OF NYLON (COLOR IS NATURAL) AND ACTUATOR IS MADE OF LCP [LIQUID CRYSTAL POLYMER] (COLOR IS BLUE), BOTH ARE GLASS-FILLED AND RATED U.L. 94V-0; TERMINALS ARE 0.32/(.013) THICK PHOSPHOR BRONZE.
- TERMINAL FINISH:
5.0 MICROMETERS/200 MICRONS MINIMUM TIN OVER 1.3 MICROMETERS/ 50 MICRONS MINIMUM NICKEL UNDERPLATE OVERALL.
- THIS CONNECTOR CONFORMS TO PRODUCT SPECIFICATION PS-71226.
- SEE SHEET 2 FOR CONNECTOR PART NUMBERS, PACKAGING OPTIONS, AND DIMENSIONS NOT SHOWN BELOW.
- DRAWING IS DIMENSIONED METRIC/(INCHES); ALL UNTOLERANCED DIMENSIONS ARE SHOWN FOR REFERENCE ONLY.
- PART IS DESIGNED IN METRIC; DIMENSIONS IN INCHES ARE SHOWN FOR REFERENCE ONLY.



RECOMMENDED FFC DIMENSIONS
FINISHED THICKNESS = 0.30±0.05/(.012±.002)



RECOMMENDED PC BOARD LAYOUT
COMPONENT SIDE IS SHOWN



NOTE FOR LEAD FREE CONVERSION:

THE PRIMARY SHIPPING CARTON WILL BE LABELED "COMPLIANT TO ROHS DIRECTIVE 2002/95/EC AND ELV ANNEX II OF DIRECTIVE 2000/53/EC". CARTONS WITHOUT THIS LABEL MAY CONTAIN PRODUCT WITH LEAD.

LTR. REVISIONS		LTR. REVISIONS		LTR. REVISIONS		DIMENSIONS SHOWN (METRIC) INCH UNLESS OTHERWISE SPECIFIED TOLERANCES: ANGULAR ± 1/2°		▽ = 0 ▼ = 0 REVISE ONLY ON CAD SYSTEM	
E LEAD FREE CONVERS ECN UCP2004-2092 RKADAMS 04/04/22		C1 ADD PKG SPEC ECN #JDT1998-0299 05/26/98 LMCGRATH		B1 ADDED 40 CIRCUIT PER ECN. #U5-0231 10/10/94 GLT		3 PLACE ± .005 INCH METRIC 2 PLACE ± .013 1 PLACE ± .025		TITLE 1.00mm/(.039) PITCH, ZIF, FFC CONNECTOR WITH POLARIZING PEG	
D DELETE TUBE PKG LCP2003-1972 RWHITE 03/03/17		C ADDED TOL. & BASIC BOXES PER EC # J81224 J. LONG 97/11/20		A REDRAWN & REVISED PER ECN. #U3-0192 02/10/93 GLT		MOLEX INCORPORATED SHEET NO. DATE LISLE, ILL. 60532 U.S.A. 1 OF 2 12/14/92		PART NO. SD-71226-***4	
DRWG. BY GLT		CHK'D. BY CAB		SCALE 10 : 1		THIS DRAWING CONTAINS INFORMATION THAT IS PROPRIETARY TO MOLEX INC. AND SHOULD NOT BE USED WITHOUT WRITTEN PERMISSION.		DIV. SIZE CPP C	

2	D
1	E
MFG. SH. REV.	

PACKAGED IN TRAYS PER PK-70873-0246

CKT SIZE	ITEM NUMBER	X=NOT TOOLED	DIM A	DIM B	DIM C	DIM D	DIM E
4	71226-0424		9.30/(.366)	5.20/(.205)	3.00/(.118)	5.00/(.197)	$\frac{2.25 \pm 0.20}{(.089 \pm .008)}$
6	71226-0624		11.30/(.445)	7.20/(.283)	5.00/(.197)	7.00/(.276)	
8	71226-0824		13.30/(.524)	9.20/(.362)	7.00/(.276)	9.00/(.354)	
10	71226-1024		15.30/(.602)	11.20/(.441)	9.00/(.354)	11.00/(.433)	
12	71226-1224		17.30/(.681)	13.20/(.520)	11.00/(.433)	13.00/(.512)	
14	71226-1424		19.30/(.760)	15.20/(.598)	13.00/(.512)	15.00/(.591)	
16	71226-1624		21.30/(.839)	17.20/(.677)	15.00/(.591)	17.00/(.669)	
18	71226-1824		23.30/(.917)	19.20/(.756)	17.00/(.669)	19.00/(.748)	
20	71226-2024		25.30/(.996)	21.20/(.835)	19.00/(.748)	21.00/(.827)	
22	71226-2224		27.30/(1.075)	23.20/(.913)	21.00/(.827)	23.00/(.906)	
24	71226-2424		29.30/(1.154)	25.20/(.992)	23.00/(.906)	25.00/(.984)	
26	71226-2624		31.30/(1.232)	27.20/(1.071)	25.00/(.984)	27.00/(1.063)	
28	71226-2824		33.30/(1.311)	29.20/(1.150)	27.00/(1.063)	29.00/(1.142)	
30	71226-3024		35.30/(1.390)	31.20/(1.228)	29.00/(1.142)	31.00/(1.220)	
40	71226-4024	X	45.30/(1.783)	41.20/(1.622)	39.00/(1.536)	41.00/(1.614)	
4	71226-0434		9.30/(.366)	5.20/(.205)	3.00/(.118)	5.00/(.197)	$\frac{3.15 \pm 0.20}{(.124 \pm .008)}$
6	71226-0634		11.30/(.445)	7.20/(.283)	5.00/(.197)	7.00/(.276)	
8	71226-0834		13.30/(.524)	9.20/(.362)	7.00/(.276)	9.00/(.354)	
10	71226-1034		15.30/(.602)	11.20/(.441)	9.00/(.354)	11.00/(.433)	
12	71226-1234		17.30/(.681)	13.20/(.520)	11.00/(.433)	13.00/(.512)	
14	71226-1434		19.30/(.760)	15.20/(.598)	13.00/(.512)	15.00/(.591)	
16	71226-1634		21.30/(.839)	17.20/(.677)	15.00/(.591)	17.00/(.669)	
18	71226-1834		23.30/(.917)	19.20/(.756)	17.00/(.669)	19.00/(.748)	
20	71226-2034		25.30/(.996)	21.20/(.835)	19.00/(.748)	21.00/(.827)	
22	71226-2234		27.30/(1.075)	23.20/(.913)	21.00/(.827)	23.00/(.906)	
24	71226-2434		29.30/(1.154)	25.20/(.992)	23.00/(.906)	25.00/(.984)	
26	71226-2634		31.30/(1.232)	27.20/(1.071)	25.00/(.984)	27.00/(1.063)	
28	71226-2834		33.30/(1.311)	29.20/(1.150)	27.00/(1.063)	29.00/(1.142)	
30	71226-3034		35.30/(1.390)	31.20/(1.228)	29.00/(1.142)	31.00/(1.220)	
40	71226-4034	X	45.30/(1.783)	41.20/(1.622)	39.00/(1.536)	41.00/(1.614)	

71226

MFG. SH. REV.

		B	SEE SHEET I
D	SEE SHEET I	A I	SEE SHEET I
C I	SEE SHEET I	A	SEE SHEET I
LTR.	REVISIONS	LTR.	REVISIONS

DIMENSIONS SHOWN (METRIC) INCH	
UNLESS OTHERWISE SPECIFIED TOLERANCES: ANGULAR ± 1/2°	
3 PLACE	± — — INCH METRIC
2 PLACE	± — — ± — —
1 PLACE	— ± — —
DRAFT WHERE APPLICABLE MUST REMAIN WITHIN DIMENSIONS	
DRWG. BY: GLT	CHK'D. BY: CAB
APP'D. BY: CAB	SCALE: :

▽ = 0	▼ = 0	REVISE ONLY ON CAD SYSTEM
TITLE 1.00mm/(.039) PITCH, ZIF, FFC CONNECTOR WITH POLARIZING PEG		
MOLEX LITSE,ILL.	MOLEX INCORPORATED 60532 U.S.A.	SHEET NO. 2 DATE 12/14/92
PART NO. SEE CHART	DRWG. NO. SD-71226-***4	
FILE NAME SD7122604 DGN	THIS DRAWING CONTAINS INFORMATION THAT IS PROPRIETARY TO MOLEX INC. AND SHOULD NOT BE USED WITHOUT WRITTEN PERMISSION.	
DIV. CPP	SIZE C	