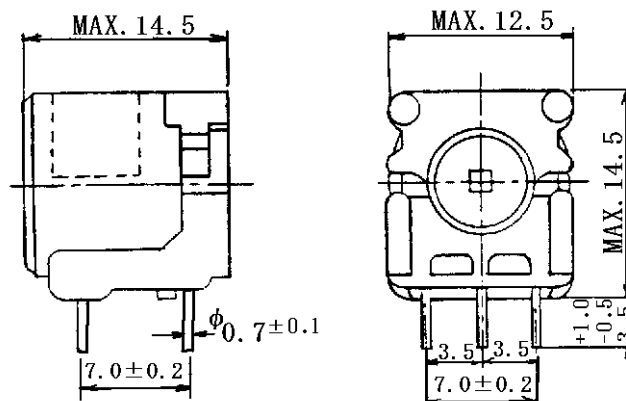


**Type: MC-129H**
**Product Description**

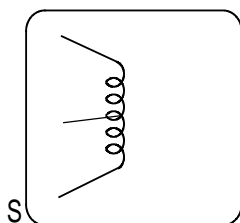
- 14.5mm × 12.5mm.(L × W) Max.,14.5mm Max. Height.
- Operating frequency:400kHz Max.
- In addition to the reference versions of parameters shown here, custom designs are available to meet your exact requirements.

**Feature**

- High inductance variable shielded type.
- Can be used as DC-DC converter transformer.
- RoHS Compliance

**Dimensions(mm)**


- \* Dimension does not include solder used on coil.
- \* Pin pitch should be measured at the root of terminal.

**Connection (Bottom View)**


“ S ” is winding start.

**Specification (Part No.S1671802)**

Item	( 1 - 3 )	Measuring Condition
Inductance	10.5mH±10% Variable	1kHz
Unloaded Q	50 Min .	100kHz