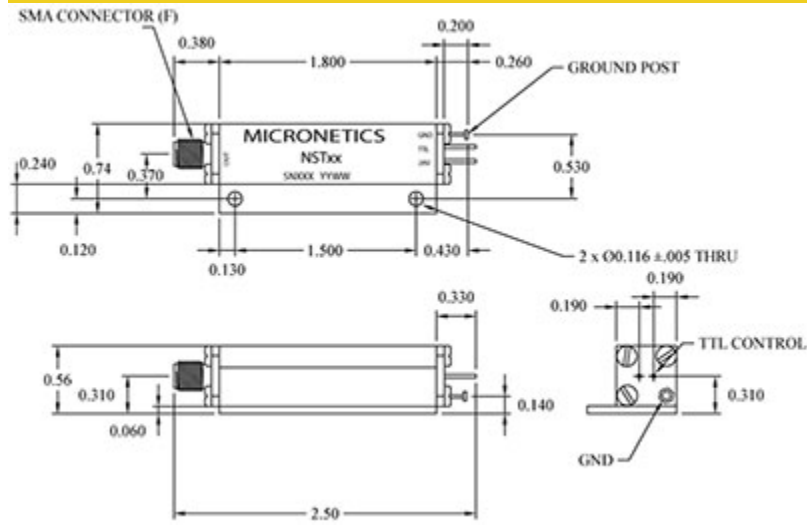


Broadband Microwave Coaxial Noise Sources

NST26-B

100 MHz to 27 GHz



Specifications

RF Frequency	100 MHz to 27 GHz
Noise Output	24 dB Min ENR
Noise Spectral Density (N_0)	-150 dBm/Hz
Peak Factor	5:1
Bias Voltage	15 V
Supply Current	25 mA Max
Impedance	50 ohms

Package and Connectivity

Construction	Coaxial
Connector Type	SMA(f)

Environmental

Operating Temperature	-55 to 95 °C
Storage Temperature	-65 to 125 °C

Notes

Specifications subject to change without notice

Micronetics, Inc. | Hudson, NH | Tel: 1-603-883-2900 | www.Micronetics.com

MICRONETICS

SMA CONNECTOR (F)

