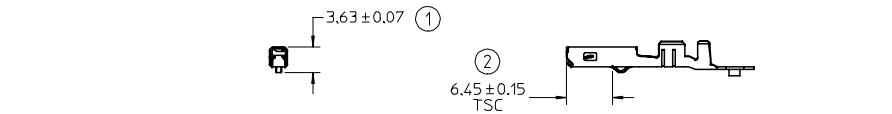
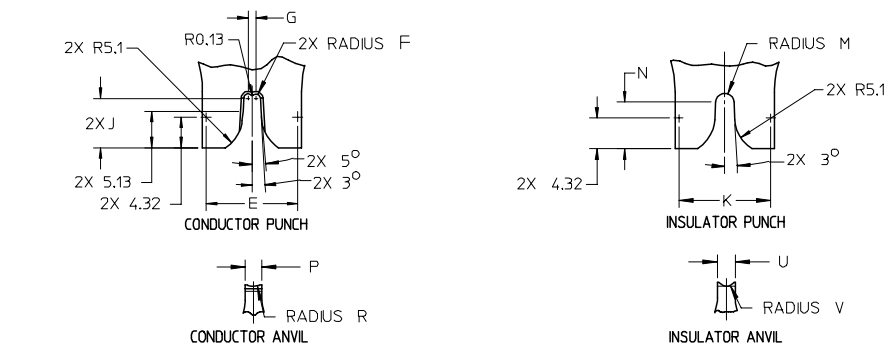


CRIMP INFORMATION



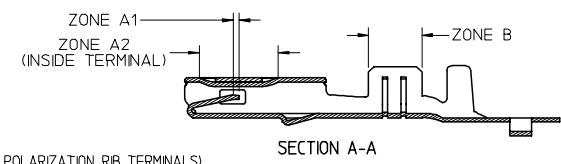
DIMENSIONS FOR LARGE POLARIZATION RIB TERMINAL ONLY



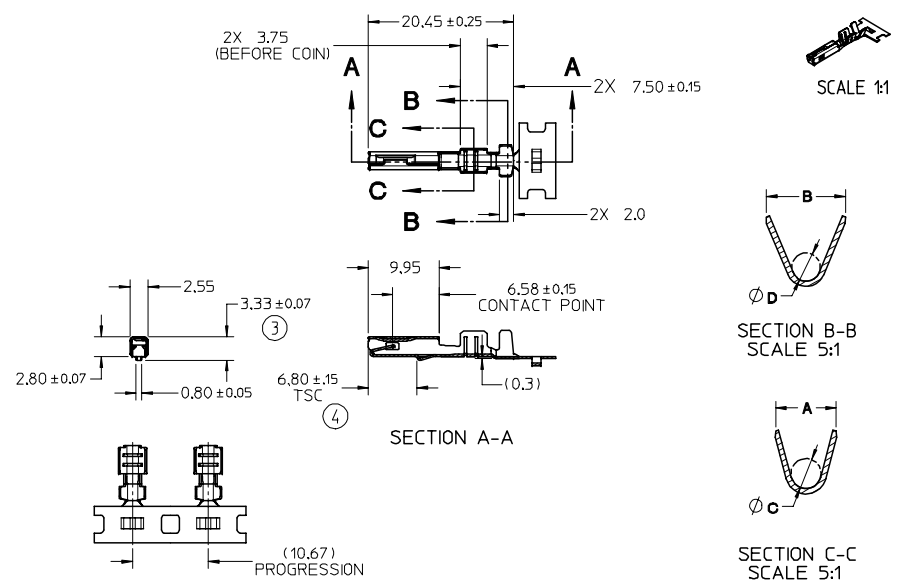
CRIMP TOOL INFORMATION
SEE TABLE 2 FOR TABLED DIMENSIONS

- NOTES: (UNLESS OTHERWISE SPECIFIED)
- MATING TERMINAL SHOWN ON SD-33000-001
 - MATERIAL: ASTM B422, UNS C19025, HR04 THICKNESS: 0.30 mm ± 0.01 TEMPER: FULL HARD (REF) TENSILE: 496 MN MPA PLATING: SEE PLATING NOTES ABOVE
 - MEETS PERFORMANCE SPECIFICATION FOR CABLE TO TERMINAL ELECTRICAL CRIMPS PER SAE/USCAR-21 (8/2001)
 - MEETS PERFORMANCE STANDARD FOR AUTOMOTIVE ELECTRICAL CONNECTOR SYSTEMS FOR SAE/USCAR-2, REV. 4 (TEMP CLASS 3) (4/2001)
 - MEETS ELECTRICAL CONNECTION SYSTEM DESIGN SPECIFICATION (SDS) REV.11 (5/2002)
 - MEETS FIELD CORRELATED LIFE TEST (FCLT) PER SAE/USCAR-20 (11/2001)
 - MEETS WIRING COMPONENT DESIGN GUIDELINES SAE/USCAR-12 REV. 2 (12/2001)
 - TSC ON A DIMENSION TO BE INTERPRETED AS DISTANCE TO A THEORETICAL SHARP CORNER AS IF THE RADIUS WERE NOT PRESENT
 - DRAWING CONFORMS TO AVP-(T401/T406)-001 REVISION A DATED 2/16/99
 - REFERENCE 97BG-14474-AAB FOR LARGE POLARIZATION RB CAVITY SPECIFICATION
 - INSERTION FORCE (TN) AVG. FROM PV TESTING - 3.8N LARGE POLARIZATION RB 3.5N SMALL POLARIZATION RB (REFERENCE)
 - ALL DIMENSIONS EXCEPT (1), (2), (3) & (4) ARE COMMON TO BOTH SMALL AND LARGE POLARIZATION RB TERMINALS
 - REFERENCE PK-31300-516 FOR REEL DIRECTION

PLATING INFORMATION



- PLATING NOTES: (FOR SMALL AND LARGE POLARIZATION RIB TERMINALS)
- PRECIOUS METAL PLATING:
 - ZONE A1 AND ZONE A2: PER MOLEX ES-88 REVISION:REL
 - BASE LAYER: ELECTRODEPOSITED DUCTILE SULFAMATE NICKEL THICKNESS: 1.25 - 2.25 MICROMETERS
 - GOLD LAYER: ELECTRODEPOSITED GOLD THICKNESS: 0.76 MICROMETERS MINIMUM
 - ZONE B: TIN PLATING: PER MOLEX ES-88 REVISION:REL
 - BASE LAYER: ELECTRODEPOSITED DUCTILE SULFAMATE NICKEL THICKNESS: 1.25-2.25 MICROMETERS
 - TIN LAYER: ELECTRODEPOSITED 100% TIN MATTE FINISH THICKNESS: 2.50 - 4.00 MICROMETERS
 - TIN PLATING: (ENTIRE TERMINAL)
 - BASE LAYER: ELECTRODEPOSITED ADVANCED TIN BARRIER THICKNESS: 0.25-1.00 MICROMETERS
 - TIN LAYER: ELECTRODEPOSITED REFLOW TIN, 100% TIN NO BRIGHTENERS THICKNESS: 0.50-1.00 MICROMETERS



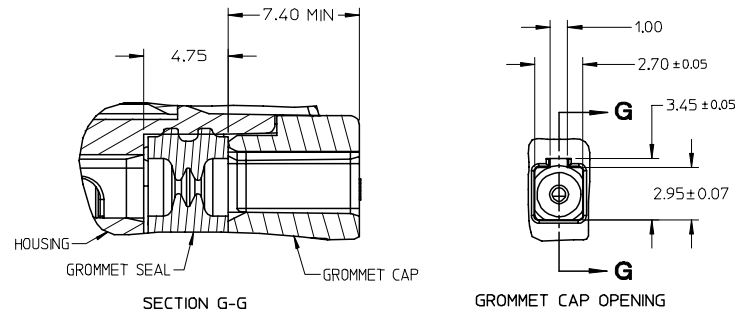
ENTER DESCRIPTION EC NO: UAU2008-0161 DRAWN/PULL IAN 2007/09/24 CHKD: A. DHIR 2007/09/25 APPR: BMOSE 2007/09/25 REV: A6	QUALITY SYMBOLS ▽=0 ▽=0	GENERAL TOLERANCES (UNLESS SPECIFIED)		DIMENSION STYLE MM ONLY		SCALE 2:1	DESIGN UNITS METRIC	THIRD ANGLE PROJECTION			
		4 PLACES ± --- ± --- 3 PLACES ± 0.005 ± --- 2 PLACES ± 0.10 ± --- 1 PLACE ± 0.3 ± --- ANGULAR ± 3 °	mm INCH	DRAWN BY L. PULLIAM 2005/06/21	DATE 2005/06/21	TITLE MX150 RECEPTACLE TERMINAL					
				CHECKED BY A. DHIR 2005/06/21	DATE 2005/06/21	MATERIAL NO. SEE TABLE					
				APPROVED BY B. MOSER 2005/06/22	DATE 2005/06/22	MOLEX INCORPORATED		DOCUMENT NO. SD-33012-002	SHEET NO. 1 OF 5		

TABLE 1 - TERMINAL CRIMP DIM. REFERENCE TABLE

SUPPLIER PART NO.	FORD PART NO.	PLATING	WIRE SIZE (GWS)	WIRE SPECIFICATION	CONDUCTOR CH (SEC Z-Z) ±0.05 mm	CONDUCTOR CW (SEC Z-Z) ±0.10 mm	INSULATOR IH (SEC Y-Y) ±0.10 mm	INSULATOR IW (SEC Y-Y) ±0.10 mm	WIRE PULL FORCE (N)
SMALL POLARIZATION RIB									
RIGHT PAYOFF LEFT PAYOFF									
33012-2001	33012-3001	7C3T-4474-EA	TN	14	ML-123A ML-135A1	1.65 1.65	2.45 2.45	2.90 2.70	2.75 2.60
33012-2002	33012-3002	7C3T-4474-DA	TN	16	ML-123A ML-123A SAE J1128 IGXLI	1.35 1.25 1.25	2.45 2.15 2.15	2.40 2.00 2.40	2.60 2.30 2.60
33012-2003	33012-3003	7C3T-4474-CA	TN	20	ML-123A HFLON WIRE ¹ SAE J1128 IGXLI	1.15 1.15 1.15	2.15 2.15 2.15	1.90 1.90 2.00	2.10 2.10 2.30
33012-2001	33012-3001	7C3T-4474-EA	TN	22	ML-123A JASO D 61I (AVSSI)	1.00 1.60	1.60 2.45	1.85 2.90	1.90 2.75
33012-2002	33012-3002	7C3T-4474-DA	TN	150mm ²	ML-126A1	1.40	2.45	2.60	2.60
33012-2003	33012-3003	7C3T-4474-CA	TN	100mm ²	ML-126A1	1.30	2.15	2.00	2.30
33012-2003*	33012-3003*	7C3T-4474-CA*	TN	0.75mm ²	ML-126A1	1.25	2.15	1.95	2.10
33012-2003*	33012-3003*	7C3T-4474-CA*	TN	0.50mm ²	ML-126A1	1.10	1.60	1.80	1.90
33012-2003*	33012-3003*	7C3T-4474-CA*	TN	0.35mm ²	JASO D 61I (AVSSI)	1.10	1.60	1.85	1.90
33012-2003*	33012-3003*	7C3T-4474-CA*	TN	0.35mm ²	WSK-A348-A2	0.95	1.60	1.70	1.90
LARGE POLARIZATION RIB									
33012-2021	33012-3021	7C3T-4474-LA	TN	14	ML-123A ML-135A1	1.65 1.65	2.45 2.45	2.90 2.70	2.75 2.60
33012-2022	33012-3022	7C3T-4474-KA	TN	16	ML-123A ML-123A SAE J1128 IGXLI	1.35 1.25 1.25	2.45 2.15 2.15	2.40 2.00 2.40	2.60 2.30 2.60
33012-2023	33012-3023	7C3T-4474-JA	TN	20	ML-123A HFLON WIRE ¹ SAE J1128 IGXLI	1.15 1.15 1.15	2.15 2.15 2.15	1.90 1.90 2.00	2.10 2.10 2.30
33012-2021	33012-3021	7C3T-4474-LA	TN	22	ML-123A JASO D 61I (AVSSI)	1.00 1.60	1.60 2.45	1.85 2.90	1.90 2.75
33012-2022	33012-3022	7C3T-4474-KA	TN	150mm ²	ML-126A1	1.40	2.45	2.60	2.60
33012-2023	33012-3023	7C3T-4474-JA	TN	100mm ²	ML-126A1	1.30	2.15	2.00	2.30
33012-2023*	33012-3023*	7C3T-4474-JA*	TN	0.75mm ²	ML-126A1	1.25	2.15	1.95	2.10
33012-2023*	33012-3023*	7C3T-4474-JA*	TN	0.50mm ²	ML-126A1	1.10	1.60	1.80	1.90
33012-2023*	33012-3023*	7C3T-4474-JA*	TN	0.35mm ²	JASO D 61I (AVSSI)	1.10	1.60	1.85	1.90
33012-2023*	33012-3023*	7C3T-4474-JA*	TN	0.35mm ²	WSK-A348-A2	0.95	1.60	1.70	1.90
33001-2021	33001-3021	7C3T-4474-PA	GOLD	14	ML-123A ML-135A1	1.65 1.65	2.45 2.45	2.90 2.70	2.75 2.60
33001-2022	33001-3022	7C3T-4474-NA	GOLD	16	ML-123A ML-123A SAE J1128 IGXLI	1.35 1.25 1.25	2.45 2.15 2.15	2.40 2.00 2.40	2.60 2.30 2.60
33001-2023	33001-3023	7C3T-4474-MA	GOLD	20	ML-123A HFLON WIRE ¹ SAE J1128 IGXLI	1.15 1.15 1.15	2.15 2.15 2.15	1.90 1.90 2.00	2.10 2.10 2.30
33001-2021	33001-3021	7C3T-4474-PA	GOLD	22	ML-123A JASO D 61I (AVSSI)	1.00 1.60	1.60 2.45	1.85 2.90	1.90 2.75
33001-2022	33001-3022	7C3T-4474-NA	GOLD	150mm ²	ML-126A1	1.40	2.45	2.60	2.60
33001-2023	33001-3023	7C3T-4474-MA	GOLD	100mm ²	ML-126A1	1.30	2.15	2.00	2.30
33001-2023*	33001-3023*	7C3T-4474-MA*	GOLD	0.75mm ²	ML-126A1	1.25	2.15	1.95	2.10
33001-2023*	33001-3023*	7C3T-4474-MA*	GOLD	0.50mm ²	ML-126A1	1.10	1.60	1.80	1.90
33001-2023*	33001-3023*	7C3T-4474-MA*	GOLD	0.35mm ²	JASO D 61I (AVSSI)	1.10	1.60	1.85	1.90
33001-2023*	33001-3023*	7C3T-4474-MA*	GOLD	0.35mm ²	WSK-A348-A2	0.95	1.60	1.70	1.90

¹ HFLON WIRE:
CORE WIRE: STAINLESS STEEL, SUS Ø0.14, 7 STRANDS
SURROUNDING WIRE: NICKEL (Ni) PLATED COPPER (Cu) Ø0.14, 30 STRANDS
INSULATOR: PTFE

* 0.35mm² WIRE MUST NOT BE USED IN MX150 SEALED CONNECTOR SYSTEMS



**GROMMET SEAL / CAP CONFIGURATION TO MODIFY
LARGE POLARIZATION RIB CAVITY TO ACCEPT
SMALL POLARIZATION RIB APPLICATIONS**

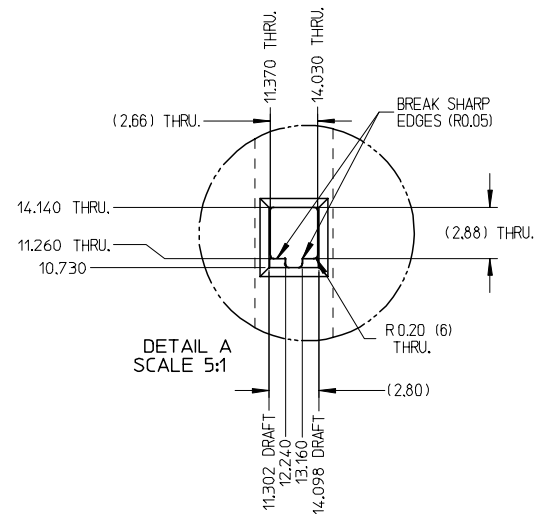
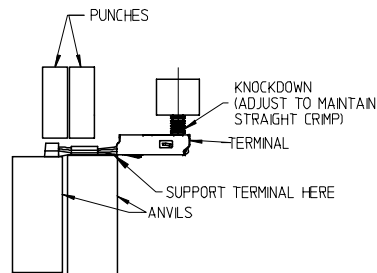
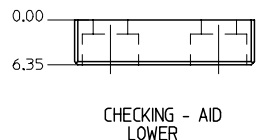
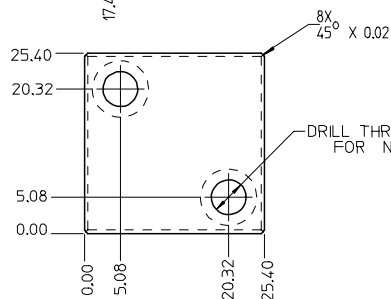
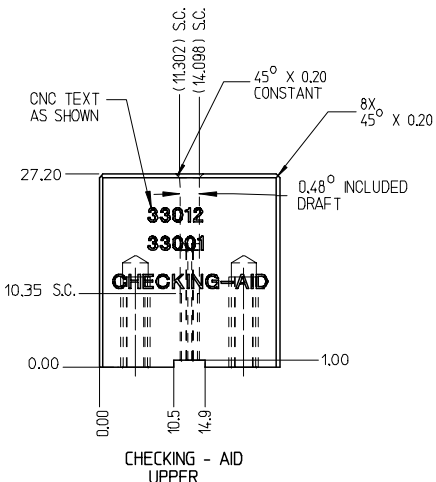
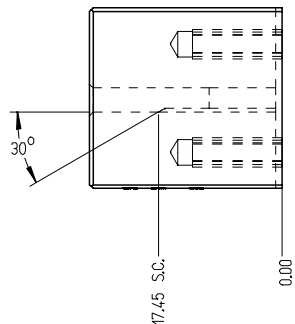
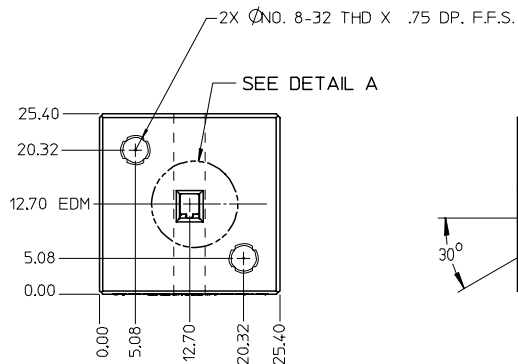
ENTER DESCRIPTION EC NO: UAU2008-0161 DRAWN/PULL IAN 2007/09/24 CHKD:A. DHIR 2007/09/25 APPR:BMOSER 2007/09/25 REVISIONS 1 A6	QUALITY SYMBOLS =0 <=0	GENERAL TOLERANCES (UNLESS SPECIFIED) 4 PLACES ± --- ± --- 3 PLACES ± 0.005 ± --- 2 PLACES ± 0.10 ± --- 1 PLACE ± 0.3 ± --- ANGULAR ± 3 °	DIMENSION STYLE MM ONLY DRAWN BY DATE L. PULLIAM 2005/06/21 CHECKED BY DATE A. DHIR 2005/06/21 APPROVED BY DATE B. MOSER 2005/06/22	SCALE DESIGN UNITS METRIC THIRD ANGLE PROJECTION
		MX150 RECEPTACLE TERMINAL		
		MOLEX INCORPORATED		
		SEE TABLE MATERIAL NO. SD-33012-002 SHEET NO. 2 OF 5		

THIS DRAWING CONTAINS INFORMATION THAT IS PROPRIETARY TO MOLEX INCORPORATED AND SHOULD NOT BE USED WITHOUT WRITTEN PERMISSION

THIS CHECKING - AID IS FOR SMALL POLARIZATION RIB TERMINALS ONLY



CHECKING - AID ASSEMBLY
SCALE 1:1

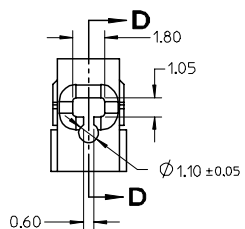
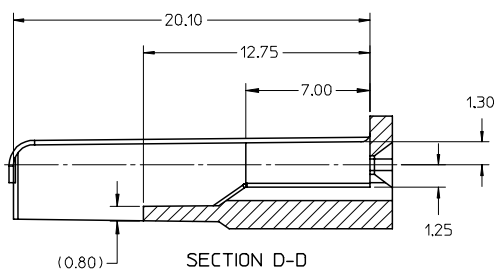
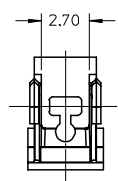


CRIMP REQUIREMENTS:

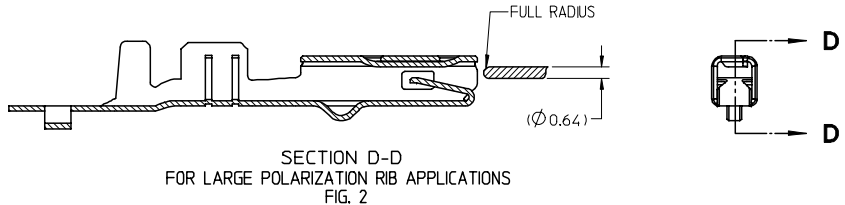
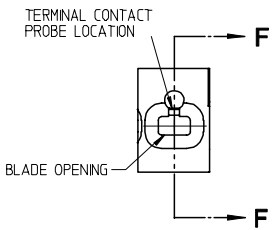
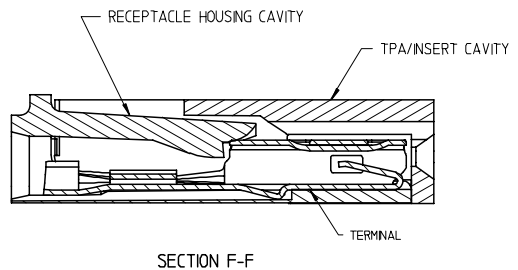
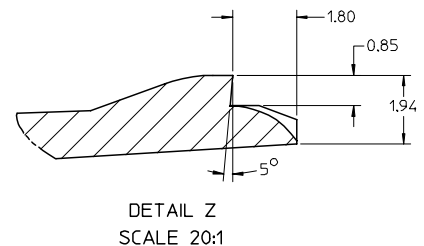
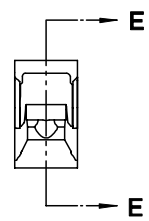
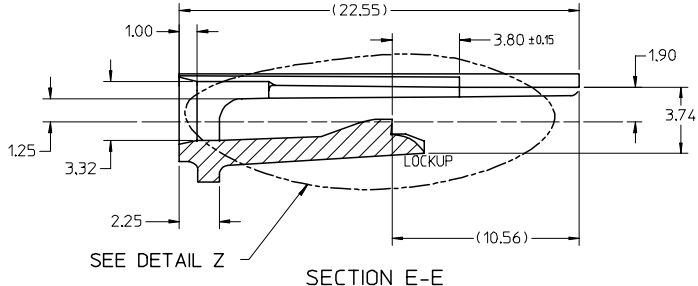
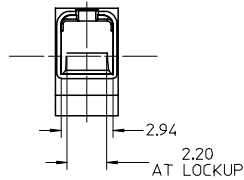
1. CRIMP STRAIGHTNESS MUST BE MAINTAINED USE A KNOCKDOWN TOOL LOCATED AS SHOWN TERMINAL BOX MUST NOT BE DEFORMED
2. AFTER CRIMPING, THE CRIMPED TERMINAL (AND UP TO 5 mm OF WIRE PAST THE INSULATOR CUTOFF TAB) MUST FIT FREELY INTO THE CHECKING-AID SHOWN ON THIS PAGE
3. FOR OTHER MECHANICAL REQUIREMENTS ON CRIMPED TERMINALS, REFER TO SAE/USCAR-21 (5-13-02) SECTIONS 4.2 (VISUAL INSPECTION), 4.2 (CROSS SECTION ANALYSIS) AND 4.4 (CONDUCTOR CRIMP PULLOUT FORCE)

UPPER & LOWER
CHECKING-AID
A2 TOOL STEEL
HARDEN & GRIND
ROCKWELL "C" 56-58

ENTER DESCRIPTION EC NO: UAU2008-0161 DRAWN/PULL I AM 2007/09/24 CHK'D: A. DHIR 2007/09/25 APP'R: BMOSER 2007/09/25 A6	QUALITY SYMBOLS =0 =0	GENERAL TOLERANCES (UNLESS SPECIFIED)		DIMENSION STYLE MM ONLY		SCALE 2:1	DESIGN UNITS METRIC	THIRD ANGLE PROJECTION	
		4 PLACES ± 0.15 3 PLACES ± 0.005 2 PLACES ± 0.10 1 PLACE ± 0.3 ANGULAR ± 3°	mm INCH	DRAWN BY L. PULLIAM	DATE 2005/06/21	CHECKED BY A. DHIR	DATE 2005/06/21	MX150 RECEPTACLE TERMINAL	
				APPROVED BY B. MOSER		DATE 2005/06/22		MOLEX INCORPORATED	
		MATERIAL NO. SEE TABLE		DOCUMENT NO. SD-33012-002		SHEET NO. 3 OF 5			
THIS DRAWING CONTAINS INFORMATION THAT IS PROPRIETARY TO MOLEX INCORPORATED AND SHOULD NOT BE USED WITHOUT WRITTEN PERMISSION									



- NOTES: UNLESS OTHERWISE SPECIFIED
1. TOLERANCES: LINEAR ± 0.10 , ANGULAR $\pm 3^\circ$
 2. ALL DRAFT WITHIN TOLERANCE.
 3. MAX RADI ON ALL CORNERS SHOWN SHARP: 0.10
 4. MAX FLASH PERMISSIBLE: 0.1
 5. EJECTOR PIN MARKS PERMISSIBLE F FLUSH TO 0.25 BELOW SURFACE.
 6. MATERIAL: HOUSING/FINGER SPECIFICATION ENGINEERED FOR MATERIAL WITH THE FOLLOWING PROPERTIES:
A. FLEXURAL MODULUS = 4,500 TO 9,400 MPa PER ASTM TEST D790
B. ELONGATION AT YIELD = 2.3% OR BETTER PER ASTM TEST D638 TYPE V
 7. CAVITY SPEC FOR USE ONLY WITH MOLEX RECEPTACLE TERMINAL PART NUMBERS SPECIFIED ELSEWHERE ON THIS DRAWING



PROBING DOWN THE THROAT MUST USE THIS TERMINAL PROBE

PROBE PIN DETAILS:
MANUFACTURER: LONE STAR INDUSTRIAL
PART NUMBER: LS054R-403-N-4.6
PIN DIAMETER: 0.250IN (0.64mm)
TIP SHAPE: SPHERICAL
TEL: 915-779-7255

PREFERRED PROBING LOCATION IS NOT ON SPRING MEMBER

F ELECTRICAL CONTINUITY PROBE TOUCHES SPRING MEMBER USE PROBING AS SHOWN IN FIG. 2

ENTER DESCRIPTION REV	EC NO: UAU2008-0161	DATE: 2007/09/24
	DRWNL: PULLIAM	DATE: 2007/09/25
	CHKD: A. DHIR	DATE: 2007/09/25
	APPR: BMOSE	DATE: 2007/09/25

QUALITY SYMBOLS	
	0.10
	0.25

GENERAL TOLERANCES (UNLESS SPECIFIED)	
4 PLACES	± 0.10
3 PLACES	± 0.005
2 PLACES	± 0.10
1 PLACE	± 0.3
ANGULAR $\pm 3^\circ$	

DIMENSION STYLE	
MM ONLY	
DRAWN BY	DATE
L. PULLIAM	2005/06/21
CHECKED BY	DATE
A. DHIR	2005/06/21
APPROVED BY	DATE
B. MOSER	2005/06/22
MATERIAL NO.	
SEE TABLE	

SCALE	5:1
DESIGN UNITS	METRIC
THIRD ANGLE PROJECTION	
MX150 RECEPTACLE TERMINAL	
MOLEX INCORPORATED	
DOCUMENT NO.	SD-33012-002
SHEET NO.	4 OF 5

TABLE 2 - TERMINAL GRIP/CRIMP TOOL DIM. REFERENCE TABLE

SUPPLIER PART NO.		FORD PART NO.	PLATING (STAMPING)	WIRE APPLICATION		WIRE SPECIFICATION		A±0.30	B±0.30	C±0.30	D±0.30	E±0.005	F±0.005	G±0.005	J±0.005	K±0.005	M±0.005	N±0.005	P±0.005	R±0.005	U±0.005	V±0.005			
SMALL POLARIZATION RIB				SAE	METRIC																				
RIGHT PAYOFF	LEFT PAYOFF																								
33012-2001	33012-3001	7C3T-14474-EA	TN	14	2.0	ML-123A JASO D 611 (AVSS)	3.9	4.4	1.7	1.6	12.82	0.6	1.19	7.05	13.12	1.35	6.91	2.44	6.11	2.72	1.40				
				14	-	ML-135A1	3.9	4.4	1.7	1.6	12.82	0.6	1.19	7.05	12.96	1.28	6.51	2.44	6.11	2.52	1.30				
33012-2002	33012-3002	7C3T-14474-DA	TN	16	1.5	ML-123A/ML-126A1	3.9	4.4	1.7	1.6	12.82	0.6	1.19	7.05	12.96	1.28	6.51	2.44	6.11	2.52	1.30				
				18	1.0	ML-123A/ML-126A1	3.3	3.1	1.3	1.4	12.46	0.57	0.99	6.52	12.65	1.13	6.66	2.14	1.93	2.23	1.15				
				18	-	SAE J1128 (GXU)	3.3	3.1	1.3	1.4	12.46	0.57	0.99	6.52	12.96	1.28	6.51	2.14	1.93	2.52	1.30				
				20	0.75	ML-123A/ML-126A1	3.3	3.1	1.3	1.4	12.46	0.57	0.99	6.52	12.42	1.03	6.36	2.14	1.93	2.04	1.05				
				20	-	SAE J1128 (GXU)	3.3	3.1	1.3	1.4	12.46	0.57	0.99	6.52	12.65	1.13	6.66	2.14	1.93	2.23	1.15				
33012-2003	33012-3003	7C3T-14474-CA	TN	22	0.5	ML-123A/ML-126A1 JASO D 611 (AVSS)	2.5	2.6	0.9	1.0	11.97	0.42	0.72	6.57	12.24	0.93	6.31	1.60	1.44	1.84	0.95				
33012-2003*	33012-3003*	7C3T-14474-CA*	TN	-	0.35	WSK-14348-A2	2.5	2.6	0.9	1.0	11.97	0.42	0.72	6.57	12.24	0.93	6.31	1.60	1.44	1.84	0.95				
33001-2003	33001-3003	7C3T-14474-HA	GOLD	14	2.0	ML-123A JASO D 611 (AVSS)	3.9	4.4	1.7	1.6	12.82	0.6	1.19	7.05	13.12	1.35	6.91	2.44	6.11	2.72	1.40				
				14	-	ML-135A1	3.9	4.4	1.7	1.6	12.82	0.6	1.19	7.05	12.96	1.28	6.51	2.44	6.11	2.52	1.30				
33001-2004	33001-3004	7C3T-14474-GA	GOLD	16	1.5	ML-123A/ML-126A1	3.9	4.4	1.7	1.6	12.82	0.6	1.19	7.05	12.96	1.28	6.51	2.44	6.11	2.52	1.30				
				18	1.0	ML-123A/ML-126A1	3.3	3.1	1.3	1.4	12.46	0.57	0.99	6.52	12.65	1.13	6.66	2.14	1.93	2.23	1.15				
				18	-	SAE J1128 (GXU)	3.3	3.1	1.3	1.4	12.46	0.57	0.99	6.52	12.96	1.28	6.51	2.14	1.93	2.52	1.30				
				20	0.75	ML-123A/ML-126A1	3.3	3.1	1.3	1.4	12.46	0.57	0.99	6.52	12.42	1.03	6.36	2.14	1.93	2.04	1.05				
				20	-	SAE J1128 (GXU)	3.3	3.1	1.3	1.4	12.46	0.57	0.99	6.52	12.65	1.13	6.66	2.14	1.93	2.23	1.15				
33001-2005	33001-3005	7C3T-14474-FA	GOLD	22	0.5	ML-123A/ML-126A1 JASO D 611 (AVSS)	2.5	2.6	0.9	1.0	11.97	0.42	0.72	6.57	12.24	0.93	6.31	1.60	1.44	1.84	0.95				
33001-2005*	33001-3005*	7C3T-14474-FA*	GOLD	-	0.35	WSK-14348-A2	2.5	2.6	0.9	1.0	11.97	0.42	0.72	6.57	12.24	0.93	6.31	1.60	1.44	1.84	0.95				
LARGE POLARIZATION RIB																									
33012-2021	33012-3021	7C3T-14474-LA	TN	14	2.0	ML-123A JASO D 611 (AVSS)	3.9	4.4	1.7	1.6	12.82	0.6	1.19	7.05	13.12	1.35	6.91	2.44	6.11	2.72	1.40				
				14	-	ML-135A1	3.9	4.4	1.7	1.6	12.82	0.6	1.19	7.05	12.96	1.28	6.51	2.44	6.11	2.52	1.30				
33012-2022	33012-3022	7C3T-14474-KA	TN	16	1.5	ML-123A/ML-126A1	3.9	4.4	1.7	1.6	12.82	0.6	1.19	7.05	12.96	1.28	6.51	2.44	6.11	2.52	1.30				
				18	1.0	ML-123A/ML-126A1	3.3	3.1	1.3	1.4	12.46	0.57	0.99	6.52	12.65	1.13	6.66	2.14	1.93	2.23	1.15				
				18	-	SAE J1128 (GXU)	3.3	3.1	1.3	1.4	12.46	0.57	0.99	6.52	12.96	1.28	6.51	2.14	1.93	2.52	1.30				
				20	0.75	ML-123A/ML-126A1	3.3	3.1	1.3	1.4	12.46	0.57	0.99	6.52	12.42	1.03	6.36	2.14	1.93	2.04	1.05				
				20	-	SAE J1128 (GXU)	3.3	3.1	1.3	1.4	12.46	0.57	0.99	6.52	12.65	1.13	6.66	2.14	1.93	2.23	1.15				
33012-2023	33012-3023	7C3T-14474-JA	TN	22	0.5	ML-123A/ML-126A1 JASO D 611 (AVSS)	2.5	2.6	0.9	1.0	11.97	0.42	0.72	6.57	12.24	0.93	6.31	1.60	1.44	1.84	0.95				
33012-2023*	33012-3023*	7C3T-14474-JA*	TN	-	0.35	WSK-14348-A2	2.5	2.6	0.9	1.0	11.97	0.42	0.72	6.57	12.24	0.93	6.31	1.60	1.44	1.84	0.95				
33001-2021	33001-3021	7C3T-14474-PA	GOLD	14	2.0	ML-123A JASO D 611 (AVSS)	3.9	4.4	1.7	1.6	12.82	0.6	1.19	7.05	13.12	1.35	6.91	2.44	6.11	2.72	1.40				
				14	-	ML-135A1	3.9	4.4	1.7	1.6	12.82	0.6	1.19	7.05	12.96	1.28	6.51	2.44	6.11	2.52	1.30				
33001-2022	33001-3022	7C3T-14474-NA	GOLD	16	1.5	ML-123A/ML-126A1	3.9	4.4	1.7	1.6	12.82	0.6	1.19	7.05	12.96	1.28	6.51	2.44	6.11	2.52	1.30				
				18	1.0	ML-123A/ML-126A1	3.3	3.1	1.3	1.4	12.46	0.57	0.99	6.52	12.65	1.13	6.66	2.14	1.93	2.23	1.15				
				18	-	SAE J1128 (GXU)	3.3	3.1	1.3	1.4	12.46	0.57	0.99	6.52	12.96	1.28	6.51	2.14	1.93	2.52	1.30				
				20	0.75	ML-123A/ML-126A1	3.3	3.1	1.3	1.4	12.46	0.57	0.99	6.52	12.42	1.03	6.36	2.14	1.93	2.04	1.05				
				20	-	SAE J1128 (GXU)	3.3	3.1	1.3	1.4	12.46	0.57	0.99	6.52	12.65	1.13	6.66	2.14	1.93	2.23	1.15				
33001-2023	33001-3023	7C3T-14474-MA	GOLD	22	0.5	ML-123A/ML-126A1 JASO D 611 (AVSS)	2.5	2.6	0.9	1.0	11.97	0.42	0.72	6.57	12.24	0.93	6.31	1.60	1.44	1.84	0.95				
33001-2023*	33001-3023*	7C3T-14474-MA*	GOLD	-	0.35	WSK-14348-A2	2.5	2.6	0.9	1.0	11.97	0.42	0.72	6.57	12.24	0.93	6.31	1.60	1.44	1.84	0.95				

* 0.35mm² WIRE MUST NOT BE USED IN MX150 SEALED CONNECTOR SYSTEMS

ENTER DESCRIPTION EC NO: UAU2008-0161 DRAWN/PULL I AM 2007/09/24 CHKD: A. DHIR 2007/09/25 APPR: BMOSE 2007/09/25 A6	QUALITY SYMBOLS ▽=0 ▽=0	GENERAL TOLERANCES (UNLESS SPECIFIED)		DIMENSION STYLE MM ONLY		SCALE 1:1	DESIGN UNITS METRIC	THIRD ANGLE PROJECTION	
		4 PLACES ± 0.005 3 PLACES ± 0.005 2 PLACES ± 0.10 1 PLACE ± 0.3 ANGULAR ± 3 °	mm INCH ± --- ± --- ± --- ± --- ± --- ± --- ± --- ± ---	DRAWN BY L. PULLIAM 2005/06/21	DATE 2005/06/21	CHECKED BY A. DHIR 2005/06/21	DATE 2005/06/21	MX150 RECEPTACLE TERMINAL	
		APPROVED BY B. MOSER 2005/06/22				MATERIAL NO. SEE TABLE		MOLEX INCORPORATED	
				SIZE C THIS DRAWING CONTAINS INFORMATION THAT IS PROPRIETARY TO MOLEX INCORPORATED AND SHOULD NOT BE USED WITHOUT WRITTEN PERMISSION		DOCUMENT NO. SD-33012-002		SHEET NO. 5 OF 5	