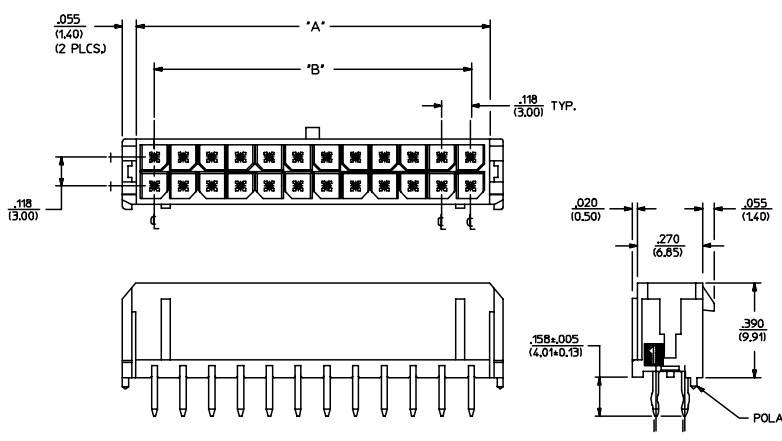
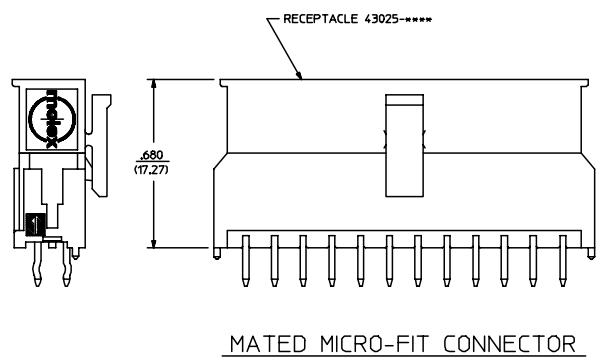


ASSEMBLY ITEM NUMBER	PART CHARACTERISTICS FOR VERTICAL	
	NUMBER OF POSITION	PLATING OPTION
44067-0201	02	A
44067-0202	02	B
44067-0203	02	C
44067-0401	04	A
44067-0402	04	B
44067-0403	04	C
44067-0601	06	A
44067-0602	06	B
44067-0603	06	C
44067-0801	08	A
44067-0802	08	B
44067-0803	08	C
44067-1001	10	A
44067-1002	10	B
44067-1003	10	C
44067-1201	12	A
44067-1202	12	B
44067-1203	12	C
44067-1401	14	A
44067-1402	14	B
44067-1403	14	C
44067-1601	16	A
44067-1602	16	B
44067-1603	16	C
44067-1801	18	A
44067-1802	18	B
44067-1803	18	C
44067-2001	20	A
44067-2002	20	B
44067-2003	20	C
44067-2201	22	A
44067-2202	22	B
44067-2203	22	C
44067-2401	24	A
44067-2402	24	B
44067-2403	24	C

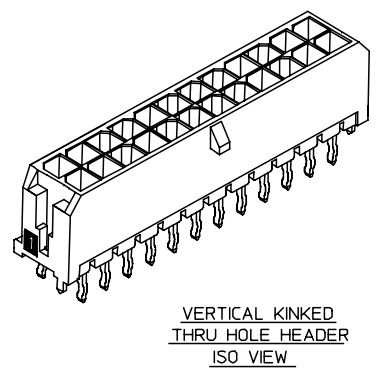
CKT. NO.	DIM. "A"	DIM. "B"	DIM. "C"
2	.152/(3.85)	NA	SEE LAYOUT
4	.270/(6.85)	.118/(3.00)	SEE LAYOUT
6	.388/(9.85)	.236/(6.00)	.472/(12.00)
8	.506/(12.85)	.354/(9.00)	.590/(15.00)
10	.624/(15.85)	.472/(12.00)	.708/(18.00)
12	.742/(18.85)	.591/(15.00)	.827/(21.00)
14	.860/(21.85)	.709/(18.00)	.945/(24.00)
16	.978/(24.85)	.827/(21.00)	1.063/(27.00)
18	1.096/(27.85)	.945/(24.00)	1.181/(30.00)
20	1.215/(30.85)	1.063/(27.00)	1.299/(33.00)
22	1.333/(33.85)	1.181/(30.00)	1.417/(36.00)
24	1.451/(36.85)	1.299/(33.00)	1.535/(39.00)



- NOTES:**
- 1) MATERIAL: HOUSING - LIQUID CRYSTAL POLYMER (LCP), GLASS-FILLED UL94V-0, COLOR - BLACK
TERMINAL - BRASS ALLOY
 - 2) FINISHES:
 - * 'A' - 100 MU. MIN TIN OVER
50 MU. MIN NICKEL PLATE.
 - * 'B' - 15 MU. MIN. SELECTIVE GOLD PLATE AND 100 MU. MIN TIN ON SOLDER TAIL, ALL OVER 50 MU. MIN NICKEL PLATE.
 - * 'C' - 30 MU. MIN. SELECTIVE GOLD PLATE AND 100 MU. MIN TIN ON SOLDER TAIL, ALL OVER 50 MU. MIN NICKEL PLATE.
 - * THE PRIMARY SHIPPING CARTON WILL BE LABELED, 'COMPLIANT TO RoHS DIRECTIVE 2002/95/EC AND ELV ANNEX II OF DIRECTIVE 2000/53/EC', AND CARTONS WITHOUT THIS LABEL MAY CONTAIN PRODUCT WITH TIN-LEAD IN THE P.C. TAIL.
 - 3) PRODUCT SPECIFICATION: PS-43045.
 - 4) THIS HEADER MATES WITH MICRO-FIT RECEPTACLE #43025-****.
 - 5) THIS HEADER IS DESIGNED IN METRIC.
 - 6) DESIGNED FOR .140/(3.56) MAX. THICK P.C. BOARDS.
 - 7) PACKAGING SPECIFICATIONS ARE SHOWN ON DRAWING #PK-70873-0314.

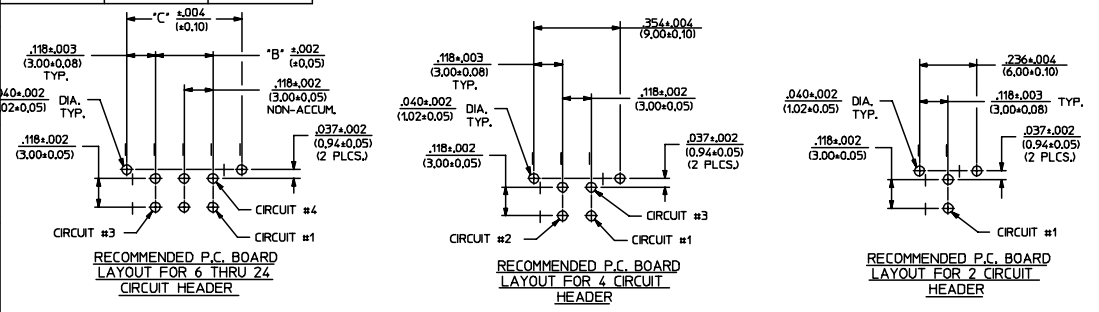


VERTICAL O.T.R. THRU HOLE
(LONGER P.C. TAIL LENGTH)



VERTICAL KINKED
THRU HOLE HEADER
ISO VIEW

MATED MICRO-FIT CONNECTOR



ENTER DESCRIPTION EC NO. UCP2004-2397 DRW:RHOLTS 2004/05/20 CHKD: CHKD 2004/05/24 APPR:FSMITH 2004/05/24	QUALITY SYMBOLS	GENERAL TOLERANCES (UNLESS SPECIFIED)	SCALE 4:1	DESIGN UNITS INCH	THIRD ANGLE PROJECTION	REVISE ON CAD ONLY
	0 0	DIMENSION STYLE IN/MM 4 PLACES ± --- ± --- 3 PLACES ± --- ± .010 2 PLACES ± 0.13 ± .014 1 PLACE ± 0.25 ± --- ANGULAR ±1/2° DRAFT WHERE APPLICABLE MUST REMAIN WITHIN DIMENSIONS	DRAWN BY DATE A.GUZIK 1997/12/25 CHECKED BY DATE A.GUZIK 1997/12/25 APPROVED BY DATE REDGLEY 1997/12/25	MATERIAL NO. SEE CHART DOCUMENT NO. SD-44067-001	TITLE MICRO-FIT(3.0) 2-24 CKT. VERTICAL HEADER ASS'Y W/LONGER TAIL	SHEET NO. 1 OF 1