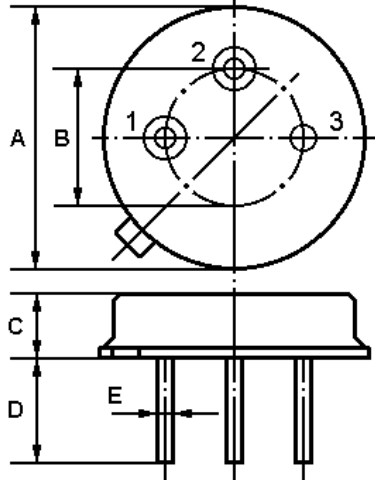


The **ACTQ384/384.05/TO39** is a two-port, 180° surface-acoustic-wave (SAW) resonator in a low-profile metal TO-39 case. It provides reliable, fundamental-mode, quartz frequency stabilization i.e. in transmitters or local oscillators operating at **384.050 MHz**.

### 1. Package Dimension (TO-39)

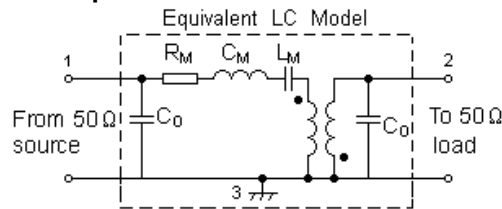


### 2.

Pin	Configuration
1	Input / Output
2	Output / Input
3	Case Ground

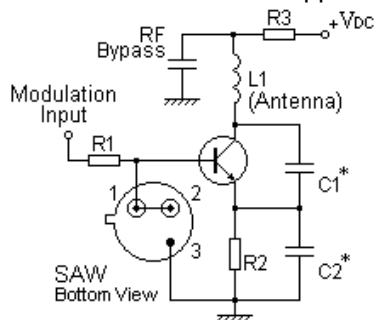
Dimension	Data (unit: mm)
A	9.30±0.20
B	5.08±0.10
C	3.40±0.20
D	3±0.20 / 5±0.20
E	0.45±0.20

### 3. Equivalent LC Model and Test Circuit

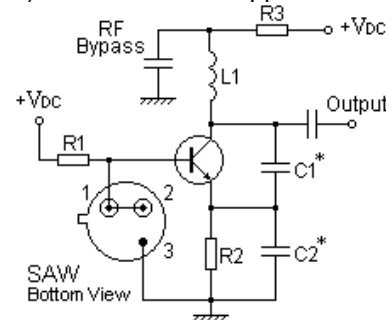


### 4. Typical Application Circuits

#### 1) Low-Power Transmitter Application



#### 2) Local Oscillator Application



In keeping with our ongoing policy of product evolution and improvement, the above specification is subject to change without notice.

**ISO9001: 2000 Registered - Registration number 6830/2**

**For quotations or further information please contact us at:**

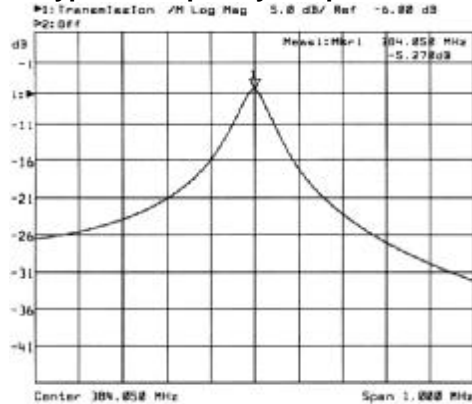
**3 The Business Centre, Molly Millars Lane, Wokingham, Berks, RG41 2EY, UK**

<http://www.actcrystals.com>

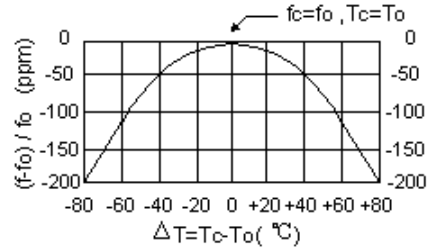
Issue : 1 C1

Date : SEPT 04

### 5. Typical Frequency Response



### 6. Temperature Characteristics



The curve shown above accounts for resonator contribution only and does not include LC component temperature characteristics.

### 7. Performance

#### 7-1. Maximum Ratings

Rating	Value	Unit
CW RF Power Dissipation	$P$	10 dBm
DC Voltage Between Any Two Pins	$V_{DC}$	$\pm 30$ V
Storage Temperature Range	$T_{stg}$	-40 to +85 °C
Operating Temperature Range	$T_A$	-10 to +60 °C

#### 7-2. Electronic Characteristics

Characteristic	Sym	Minimum	Typical	Maximum	Unit	
Centre Frequency (+25°C)	Absolute Frequency	$f_c$	383.975	384.125	MHz	
	Tolerance from 384.050 MHz	$\Delta f_c$		$\pm 75$	kHz	
Insertion Loss	IL		6.0	7.5	dB	
Quality Factor	Unloaded Q	$Q_u$		13,430		
	50 $\Omega$ Loaded Q	$Q_L$		6,700		
Temperature Stability	Turnover Temperature	$T_o$	25	55	°C	
	Turnover Frequency	$f_o$		$f_c$	kHz	
	Frequency Temperature Coefficient	FTC		0.032		ppm/°C
Frequency Aging	Absolute Value during the First Year	$ f_A $		$\leq 10$	ppm/yr	
DC Insulation Resistance Between Any Two Pins		1.0			M $\Omega$	
RF Equivalent RLC Model	Motional Resistance	$R_M$		99.5	137	$\Omega$
	Motional Inductance	$L_M$		554.2048		$\mu H$
	Motional Capacitance	$C_M$		0.310195		fF
	Shunt Static Capacitance	$C_o$	1.6	1.9	2.2	pF

In keeping with our ongoing policy of product evolution and improvement, the above specification is subject to change without notice.

**ISO9001: 2000 Registered - Registration number 6830/2**

**For quotations or further information please contact us at:**

**3 The Business Centre, Molly Millars Lane, Wokingham, Berks, RG41 2EY, UK**

<http://www.actcrystals.com>

Issue : 1 C1

Date : SEPT 04

**i CAUTION: Electrostatic Sensitive Device. Observe precautions for handling!**

1. The frequency  $f_c$  is the frequency of minimum IL with the resonator in the specified test fixture in a 50  $\Omega$  test system with VSWR  $\leq$  1.2:1. Typically,  $f_{OSCILLATOR}$  or  $f_{TRANSMITTER}$  is less than the resonator  $f_c$ .
2. Unless noted otherwise, case temperature  $T_C = +25^\circ\text{C} \pm 2^\circ\text{C}$ .
3. Frequency aging is the change in  $f_c$  with time and is specified at  $+65^\circ\text{C}$  or less. Aging may exceed the specification for prolonged temperatures above  $+65^\circ\text{C}$ . Typically, aging is greatest the first year after manufacture, decreasing in subsequent years.
4. Turnover temperature,  $T_0$ , is the temperature of maximum (or turnover) frequency,  $f_0$ . The nominal frequency at any case temperature,  $T_C$ , may be calculated from:  $f = f_0 [1 - FTC (T_0 - T_C)^2]$ . Typically, *oscillator*  $T_0$  is  $20^\circ$  less than the specified *resonator*  $T_0$ .
5. This equivalent RLC model approximates resonator performance near the resonant frequency and is provided for reference only. The capacitance  $C_0$  is the measured static (non-motional) capacitance between either Pin 1 and ground or Pin 2 and ground. The measurement includes case parasitic capacitance.
6. Derived mathematically from one or more of the following directly measured parameters:  $f_c$ , IL, 3 dB bandwidth,  $f_c$  versus  $T_C$ , and  $C_0$ .
7. The specifications of this device are based on the test circuit shown above and subject to change or obsolescence without notice.
8. Typically, equipment utilizing this device requires emissions testing and government approval, which is the responsibility of the equipment manufacturer.
9. Our liability is only assumed for the Surface Acoustic Wave (SAW) component(s) per se, not for applications, processes and circuits implemented within components or assemblies.

In keeping with our ongoing policy of product evolution and improvement, the above specification is subject to change without notice.

**ISO9001: 2000 Registered - Registration number 6830/2**

Issue : 1 C1

**For quotations or further information please contact us at:**

Date : SEPT 04

**3 The Business Centre, Molly Millars Lane, Wokingham, Berks, RG41 2EY, UK**

<http://www.actcrystals.com>