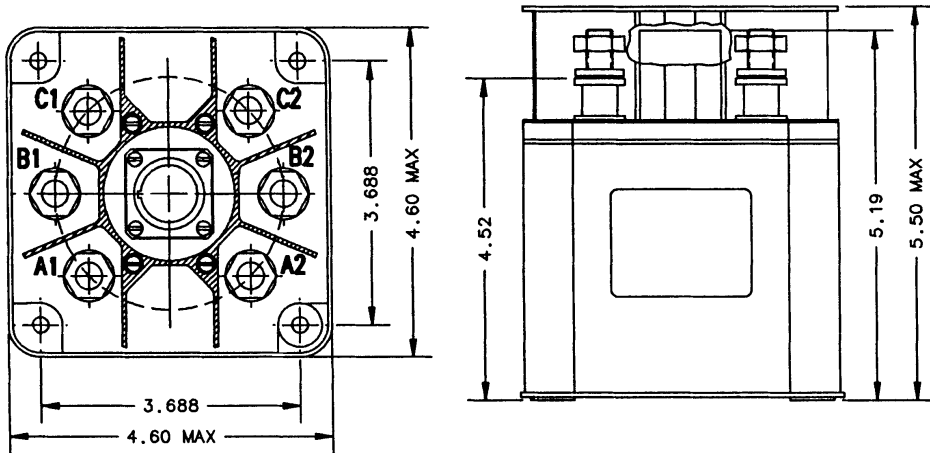


# B-493E 3PST, Magnetic Latch, 160 Amps, 230 VAC, 400 Hz

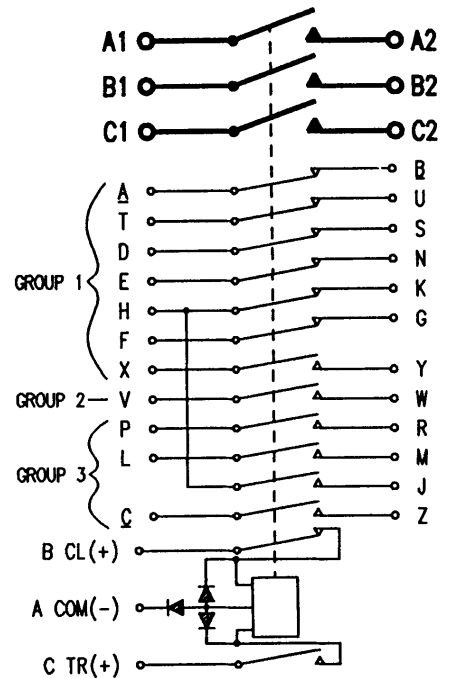
**Features:**

- 3PST Main Contacts
- Magnetic Latch
- Main Contacts Rated 230 Volts Line to Neutral
- Self De-Energizing Coil
- 230 VAC
- 160 Amps
- High Reliability
- Meets many requirements of MIL-R-6106



Dimensions for this product are expressed in inches. Multiply values by 25.4 for millimeters.

**CONTACTOR CONFIGURATION**



**Notes:**

PRODUCT SPECIFICATIONS	
Construction	Gasket Sealed, Vented
Main Contacts:	
Configuration	3PST Magnetic Latch
Voltage (Nominal)	230 VAC, 400 Hz
Current (Resistive)	160 Amps
Auxiliary Contacts:	
Configuration	6-SPST N.O., 6-SPST N.C.
Ratings	
Group 1	0.10 Amps, 28 VDC or 120 VAC, 400 Hz
Group 2	6.40 Amps, 28 VDC
Group 3	0.01 Amps, 15 VDC
Coil Data:	
Duty Cycle	Continuous, Self De-Energizing
Voltage (Nominal)	28 VDC
Operate Voltage	
Close	15 VDC Maximum
Trip	15 VDC Maximum
Coil Current @ 28 VDC & +25°C	
Close	7 Amps Maximum
Trip	7 Amps Maximum
Operating Temperature	-55°C to +71°C
Life:	
Electrical	50,000 Cycles
Mechanical	100,000 Cycles
Weight	4.3 Lbs.

For factory-direct application assistance, contact the HARTMAN product team at (419) 521-9500, Fax (419) 526-2749.

© 2004 by Tyco Electronics Corporation. All Rights Reserved. HARTMAN and TYCO are trademarks.