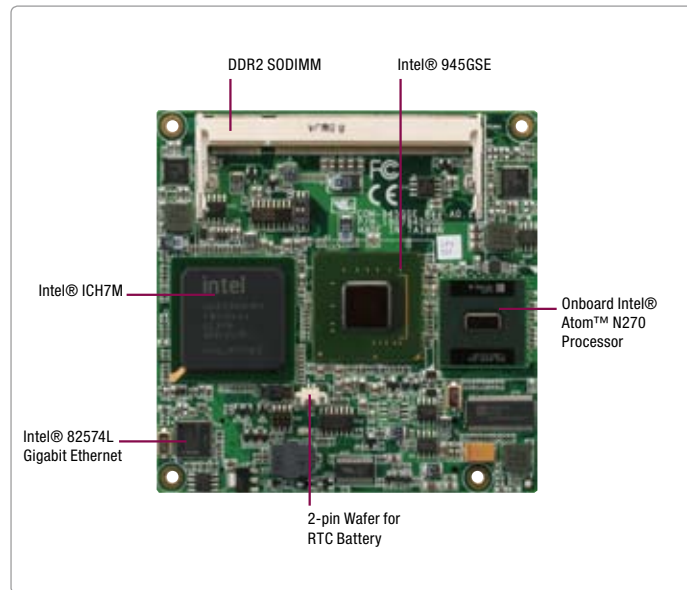


COM-945GSE

COM Express Type 2 CPU Module With Onboard Intel® Atom™ N270 Processor



Features

- Onboard Intel® Atom™ N270 Processor
- Intel® 945GSE + ICH7M
- SODIMM DDR2 400/533 Memory, Max. 2 GB
- Gigabit Ethernet
- CRT, 18-bit Dual-channel LVDS LCD, SDVO
- High Definition Audio Interface
- PATA x 1, SATA 1.5Gb/s x 2
- USB2.0 x 8
- PCI x 4, PCI-Express [x1] x 3
- Wide DC Input Range, +8.5V To +19V (Optional)
- COM Express Pin-out Type 2
- Compact Module Size, 95mm x 95mm, COM.0 Rev. 1.0

Specifications

System	
Form Factor	COM Express compact module, Pin-out Type 2, COM.0 Rev. 1.0
Processor	Onboard Intel® Atom™ N270 Processor, 1.6 GHz, FSB 533 MHz
System Memory	200-pin DDR2 SODIMM x 1, Max. 2 GB (DDR2 400/533)
Chipset	Intel® 945GSE + ICH7M
I/O Chipset	ICH7M
Ethernet	Intel® 82574L, 10/100/1000Base-TX
BIOS	Award BIOS v8.0 SPI type, 2 MB ROM
EEPROM	Atmel® AT24C02, save BIOS and configuration data (Optional)
Wake on LAN	Yes
Watchdog Timer	Fintek F75111
H/W Status Monitoring	Supports CPU temperature monitoring
Expansion Interface	PCI-Express [x1] x 3 (82801GBM) PCI-Express [x1] x 5 (82801GHM) (Optional) 32-bit PCI x 4 LPC bus x 1 SMBus x 1 I2C x 1
Power Requirement	Wide DC input range, +8.5V to +19V (Optional) Nominal: +12V 2-pin wafer for RTC battery
Power Consumption (Typical)	Intel® Atom™ N270 1.6 GHz, DDR2 533 1 GB 1.31A @ +12V 0.36A @ +5V (w/ECB-916M)
Board Size	3.74" (L) x 3.74" (W) (95mm x 95mm)
Gross Weight	0.55 lb (0.25 Kg)
Operating Temperature	32°F ~ 140°F (0°C ~ 60°C), -4°F ~ 158°F (-20°C ~ 70°C) for WITAS 1
Storage Temperature	-40°F ~ 176°F (-40°C ~ 80°C)
Operating Humidity	0% ~ 90% relative humidity, non-condensing
MTBF (Hours)	100,000
Display	Supports CRT/LCD simultaneous/ dual view displays
Chipset	Intel® 945GSE integrated
Memory	Shared system memory up to 224 MB/ DVMT 3.0
Resolutions	Up to 2048 x 1536 (QXGA) for CRT Up to 1600 x 1200 (UXGA) for LCD
LCD Interface	18-bit dual-channel LVDS
SDVO	Supports SDVO x 1
I/O	
Storage	PATA x 1 (Two devices) SATA 1.5Gb/s x 2
USB	USB2.0 x 8
Audio	High definition audio
GPIO	Up to 4 in or 4 out



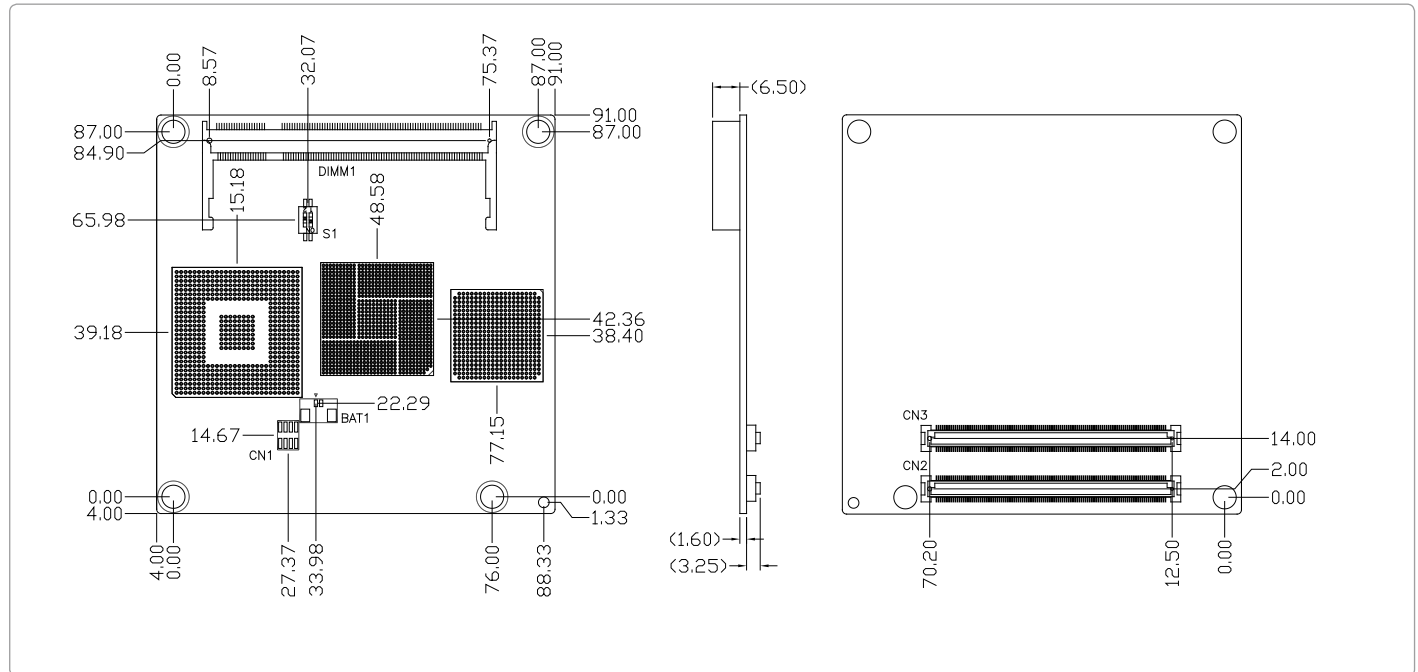
Packing List

- M2.5 Screw x 4
- Product CD
- COM-945GSE

COM-945GSE

Dimension

Unit: mm



Ordering Information

Part Number	COM Express Type	CPU	Memory	Display	LVDS	Storage	LAN	USB	URAT	Expansion Slot	Power	Temp
TF-COM-945GSE-A11-01	2 (COM.0 Rev.1.0)	Intel® Atom™ N270/1.6G	DDR2 SODIMM x 1 Max.2GB	CRT, LVDS, SDVO	18-bit dual channel	SATA2 x 2 PATA x 1	GbE x 1	USB2.0 x 8	—	PCI-E[1] x 3 32-bit PCI x 4	12V	0°C ~ 60°C
TF-COM-945GSEW1-A11	2 (COM.0 Rev.1.0)	Intel® Atom™ N270/1.6G	DDR2 SODIMM x 1 Max.2GB	CRT, LVDS, SDVO	18-bit dual channel	SATA2 x 2 PATA x 1	GbE x 1	USB2.0 x 8	—	PCI-E[1] x 3 32-bit PCI x 4	12V	WITAS 1 -20°C ~ 70°C

Optional Accessories

- TF-ECB-916M-A10-02**
 COM Express Carrier Board, microATX, Dual Gigabit Ethernet, 7.1CH Audio, 4 COM, USB, PCI-Express, AT/ATX, 6th Standoff, Rev. A1.0
- TF-PER-A060**
 CPU Cooler, For COM-945GSE, Onboard CPU, 12V Fan
- TF-PER-A055**
 Passive Heatsink, For COM-945GSE, Onboard CPU
- TF-PER-A056**
 Heat Spreader Kit, For COM-945GSE, Onboard CPU