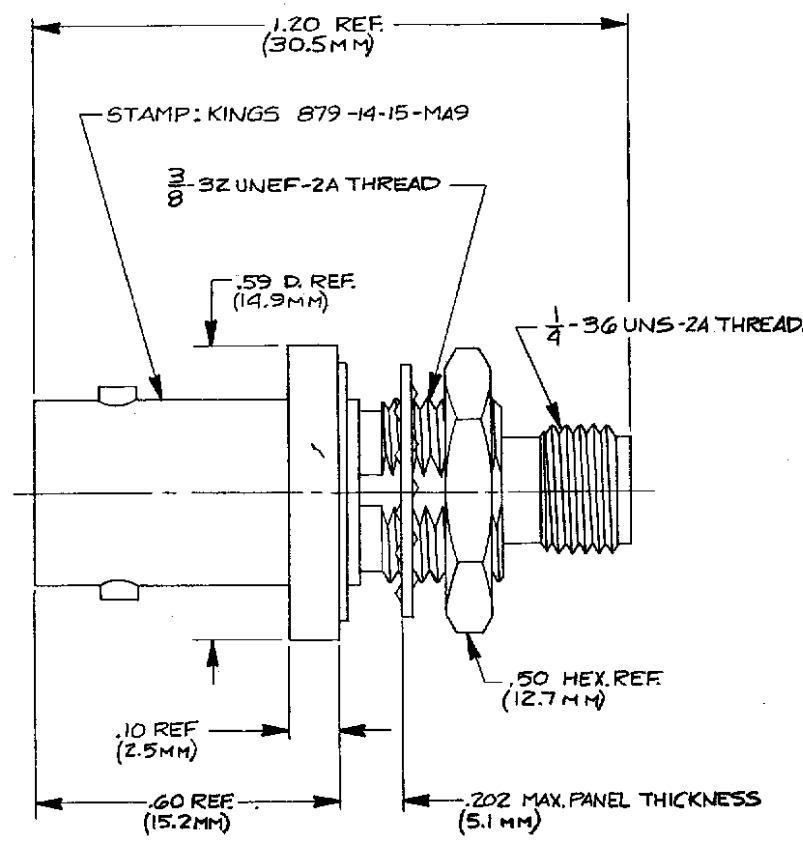


DASH NO.	M CODE	MADE FROM
----------	--------	-----------

879-14-15-MA9

GSD

REVISIONS	
ISSUE	CHANGES
1	CN 27180 C GA 23 MAY 85



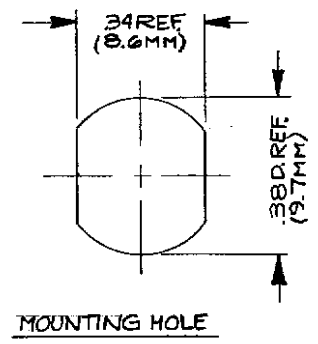
NOTES: (CONT)

2. FINISHES:
ALL METAL PARTS - HARD GOLD PLATE PER MIL-G-45204.

3. ELECTRICAL CHARACTERISTICS:
WORKING VOLTAGE - 500 VOLTS RMS.
NOMINAL IMPEDANCE - 50Ω.
FREQUENCY RANGE - DC TO 40GHz.

NOTES:

1. MATERIALS:
CONTACT - BERYLLIUM COPPER, QQ-C-530.
SMA BODY -
LOCKWASHER - PHOSPHOR BRONZE, QQ-B-750.
GASKET - SILICONE RUBBER, Z3-R-765.
INSULATOR - TEFLON, L-P-403.
ALL OTHER METAL PARTS - BRASS, QQ-B-626.



UNLESS OTHERWISE SPECIFIED:

1. TOLERANCES: FRACTIONS & 2 PLACE DECIMALS ± .010	2. REMOVE ALL BURRS, BREAK SHARP EDGES .005 MAX.
3 PLACE DECIMALS ± .004	3. NO FILLETS PERMITTED.
4. ANGLES ± 0°30'	4. SURFACE ROUGHNESS 63 MICROINCHES RMS MAX.
5. T. I. R. CONCENTRICITY OF ANY 2 DIAMETERS MAY NOT EXCEED HALF THE SUM OF THEIR TOLERANCES.	5. ALL DIMENSIONS PRIOR TO PLATING.
	6. ALL PLATING IN ACCORDANCE WITH KER 10004.

SCALE	4:1
APPROX. SURFACE AREA	
USED ON	
REF	
BULKHEAD ADAPTER SMA TO ENC	
DRAWN	AMD DATE 24 MAR 88
APPR	MJB DATE 25 MAR 88
APPR	DATE

KINGS
ELECTRONICS CO., INC.
EACHAUX, NEW YORK 10017

GSD 879-14-15-MA9