

PLEASE CHECK WWW.MOLEX.COM FOR LATEST PART INFORMATION

Part Number: [5016282191](#)
Status: **Active**
Description: 0.30mm (.012") Pitch Easy-On™ Type FPC Connector, 0.90mm (.035") Mated Height, Right Angle, SMT, Bottom Contact Style, 21 Circuits, Lead-free

Documents:

[3D Model](#) [Product Specification PS-501628-001 \(PDF\)](#)
[Drawing \(PDF\)](#) [RoHS Certificate of Compliance \(PDF\)](#)

General

Product Family FFC/FPC Connectors
 Series [501628](#)
 Comments FPC with tabs
 Product Name Easy-On™

Physical

Circuits (Loaded) 21
 Contact Position Bottom
 Durability (mating cycles max) 10
 Entry Angle 90° Angle
 Mated Height (in) 0.035 In
 Mated Height (mm) 0.90 mm
 Material - Metal Copper Alloy
 Material - Plating Mating Gold
 Number of Rows 1
 Orientation Right Angle
 PCB Locator No
 PCB Retention Yes
 Packaging Type Embossed Tape on Reel
 Pitch - Mating Interface (in) 0.012 In
 Pitch - Mating Interface (mm) 0.30 mm
 Polarized to PCB Yes
 Stackable No
 Temperature Range - Operating -25°C to +85°C
 Termination Interface: Style Surface Mount
 Wire/Cable Type FPC only

Electrical

Current - Maximum per Contact 0.2A
 Voltage - Maximum 50V

Material Info

Reference - Drawing Numbers

Product Specification PS-501628-001, RPS-501628-003, RPS-501628-004, RPS-501628-008
 Sales Drawing SD-501628-001, SD-501628-003

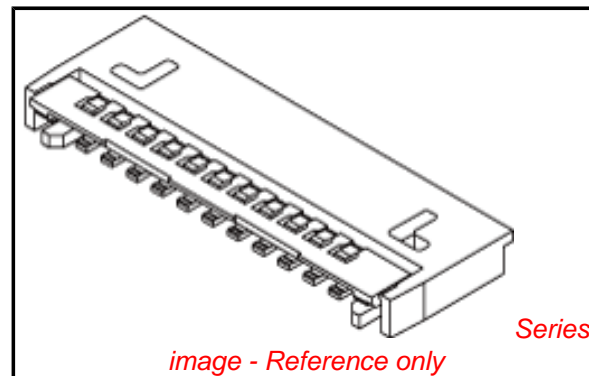


image - Reference only

EU RoHS

ELV and RoHS Compliant

REACH SVHC

Not Reviewed

Halogen-Free

Status

Not Reviewed

Need more information on product environmental compliance?

Email productcompliance@molex.com
 For a multiple part number RoHS Certificate of Compliance, [click here](#)

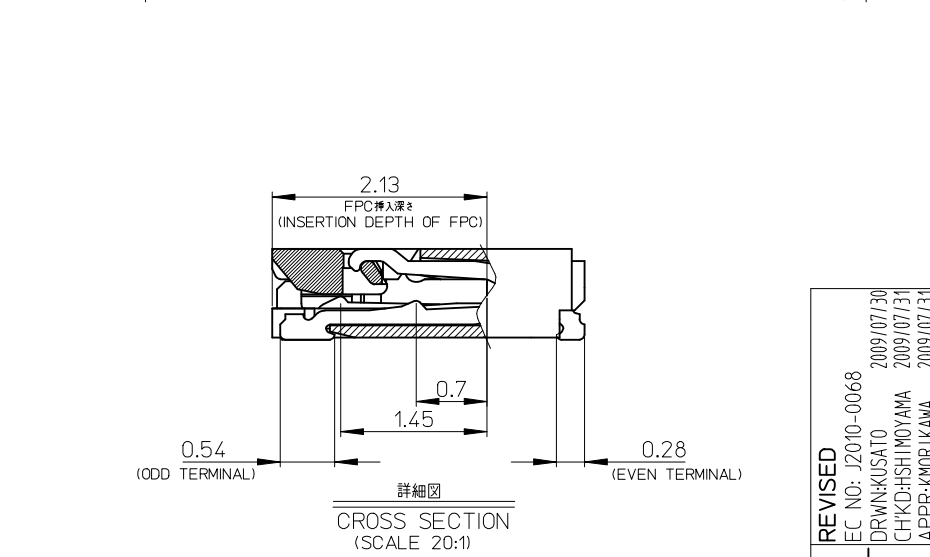
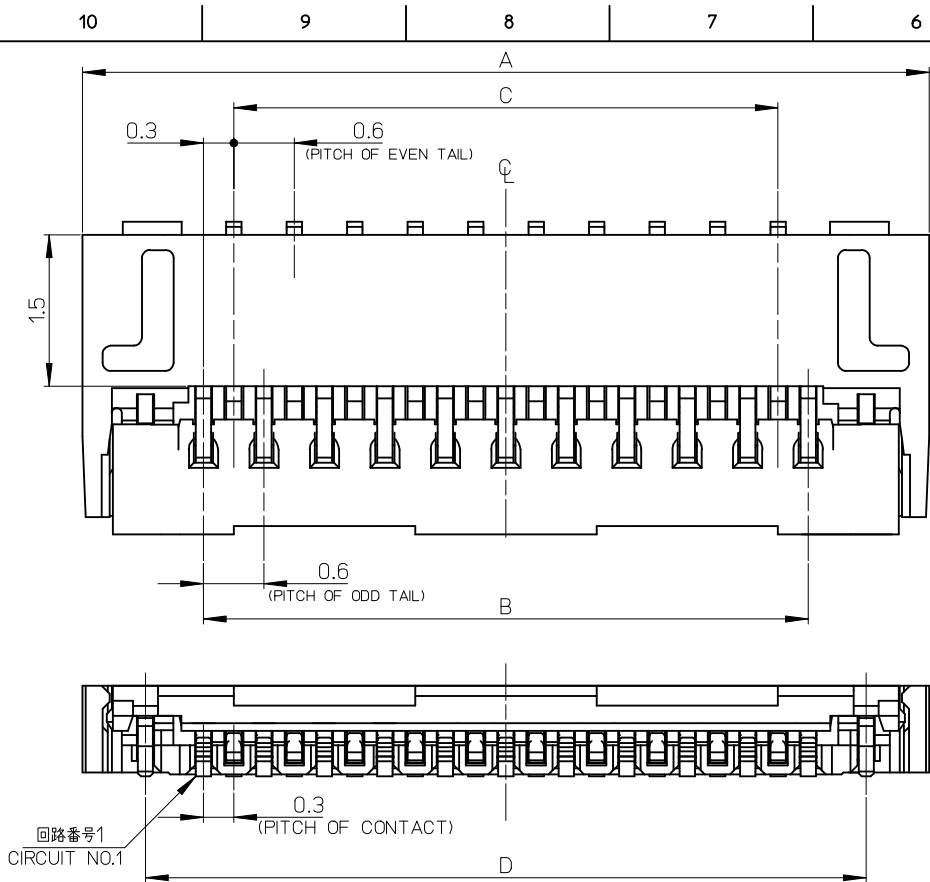
Please visit the [Contact Us](#) section for any non-product compliance questions.

China RoHS



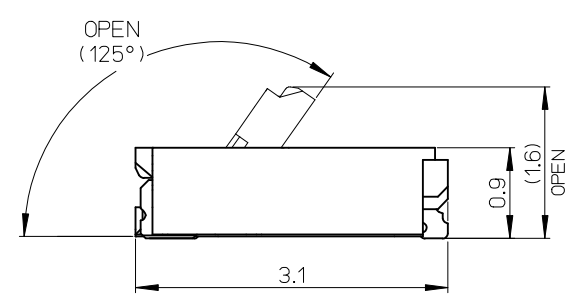
Search Parts in this Series

[501628Series](#)



注記
NOTES:
1.材質
MATERIAL
ハウジング:LCP(液晶ポリマー)、ガラス充填、UL94V-0
HOUSING:LCP(LIQUID CRYSTAL POLYMER),
GLASS FILLED,UL94V-0
アクチュエータ:ナイロン、ガラス充填、UL94V-0
ACTUATOR:NYLON(POLYAMIDE),
GLASS FILLED,UL94V-0
ターミナル:銅合金(t=0.15)
TERMINAL:COPPER ALLOY(t=0.15)
金具:銅合金(t=0.15)
NAIL:COPPER ALLOY(t=0.15)

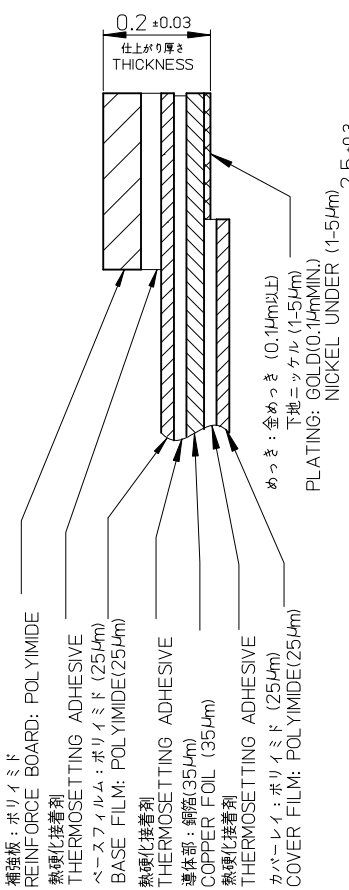
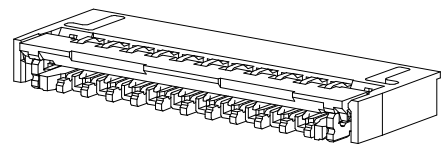
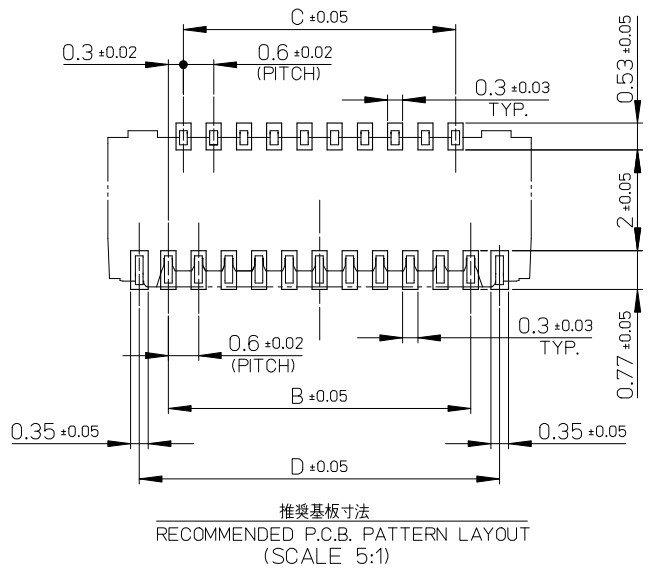
2.めっき仕様
PLATING
ターミナル
TERMINAL
部分金めっき
SEPARATED GOLD PLATING
下地ニッケルめっき
UNDER PLATING:NICKEL PLATING
金具
NAIL
銅めっき
TIN PLATING
下地ニッケルめっき
UNDER PLATING:NICKEL PLATING
3.平坦度は、0.1ミリ以下とする。
TAILS COPLANARITY TO BE 0.1 MAXIMUM.
4.ELV及びRoHS適合品
ELV AND RoHS COMPLIANT



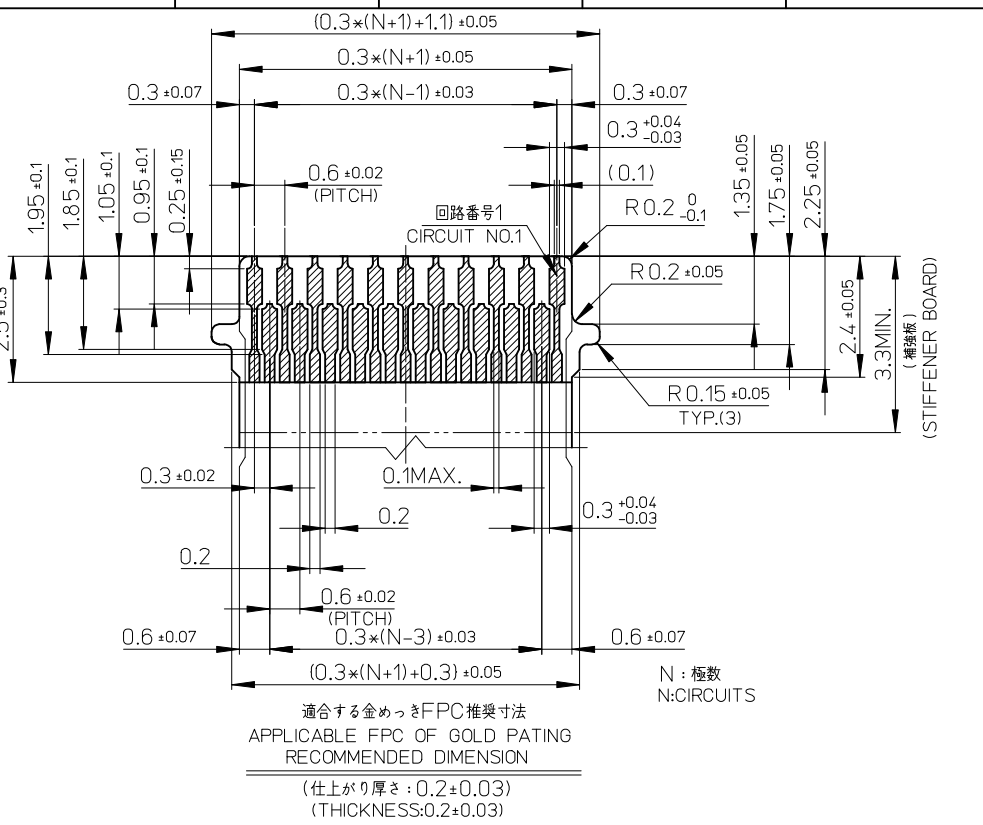
0.10	16.15	14.4	15	17.4	501628-5191	51
0.089	14.35	12.6	13.2	15.6	501628-4591	45
0.078	12.55	10.8	11.4	13.8	501628-3991	39
0.075	11.95	10.2	10.8	13.2	501628-3791	37
0.071	11.35	9.6	10.2	12.6	501628-3591	35
0.067	10.75	9.0	9.6	12.0	501628-3391	33
0.064	10.15	8.4	9	11.4	501628-3191	31
0.056	8.95	7.2	7.8	10.2	501628-2791	27
0.046	7.15	5.4	6	8.4	501628-2191	21
0.028	4.15	2.4	3	5.4	501628-1191	11
重さ (g) WEIGHT(g)	D	C	B	A	EMBOSSED PACKAGE オーダー番号 ORDER No.	極数 CIRCUITS

CONNECTOR SERIES No. 501628-**11

REVISED EC NO: J2010-0068 DRWN:KUSATO 2009/07/30 CHKD:HSHIMOYAMA 2009/07/31 APPR:KMORIKAWA 2009/07/31	GENERAL TOLERANCES (UNLESS SPECIFIED)		DIMENSION STYLE MM ONLY	SCALE 40:1	DESIGN UNITS METRIC	THIRD ANGLE PROJECTION
	10 UNDER	±0.2	DRAWN BY HSHIMOYAMA	DATE 2005/03/25	TITLE 0.3 FPC CONN. (H=0.9) HS'G ASSY BOTTOM CONTACT NICKEL BARRIER	
	10 OVER 30 UNDER	±0.25	CHECKED BY HHIRATA	DATE 2005/03/25	MOLEX INCORPORATED	
	30 OVER	±0.3	APPROVED BY MSASAO	DATE 2005/03/25	MATERIAL NO. SEE TABLE	DOCUMENT NO. SD-501628-001
REV	DESCRIPTION	ANGULAR ±1°	THIS DRAWING CONTAINS INFORMATION THAT IS PROPRIETARY TO MOLEX INCORPORATED AND SHOULD NOT BE USED WITHOUT WRITTEN PERMISSION			
		DRAFT WHERE APPLICABLE MUST REMAIN WITHIN DIMENSIONS				



FPC構成推奨仕様
STRUCTURE OF FPC



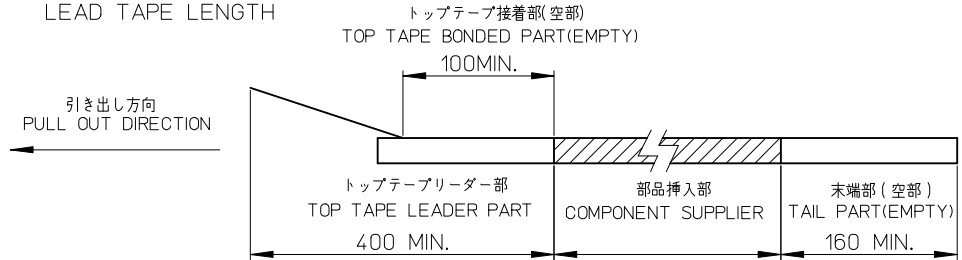
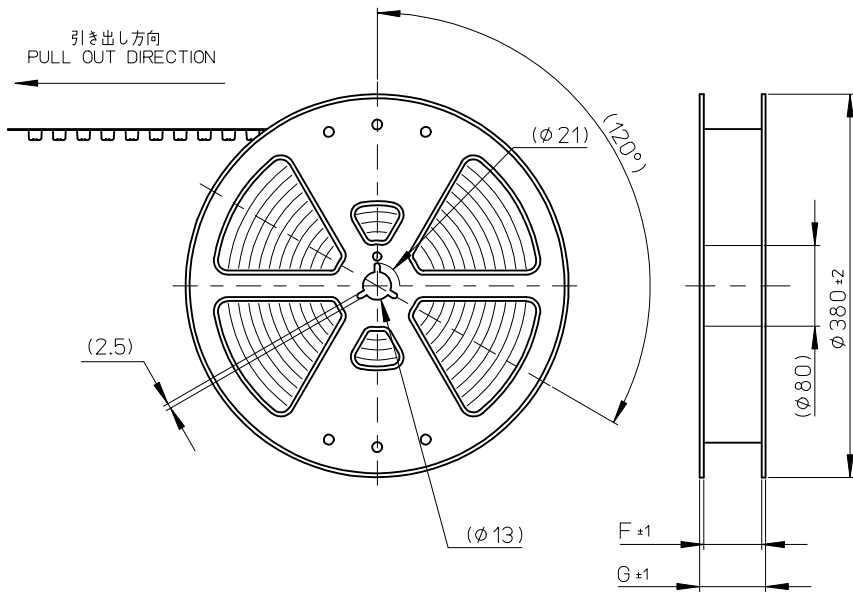
FPCについて:
抜き方向は、導体側から補強板側を推奨致します。
補強フィルム材質は、ポリイミドを推奨致します。
接着剤は熱硬化接着剤を推奨致します。
尚、接着剤の接点部への付着は導通不良の原因になりますので、
染み出しが無い様、お願い致します。

ABOUT FPC:
RECOMMENDED PUNCHER DIRECTION:
FROM CONDUCTOR SIDE TO STIFFENER FILM SIDE.
RECOMMENDED MATERIAL:
STIFFENER FILM: POLYIMIDE
BONDING AGENT: THERMOSETTING AGENT
PLEASE PUT APPROPRIATE AMOUNT OF ASHESIVE ON THE CONTACT AREA BECAUSE THE EXTRA ADHESIVE MAY CAUSE THE DEFECT IN ELECTRICAL CONTINUITY.

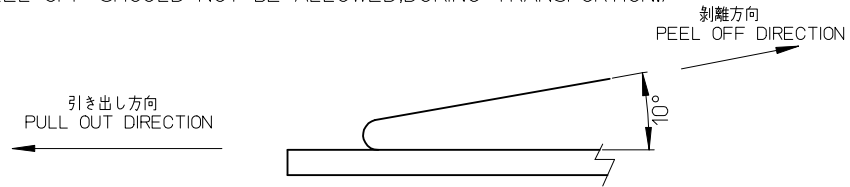
REVISED EC NO: J2010-0068 DRWN: KUSATO 2009/07/30 CHKD: HSHIMOYAMA 2009/07/31 APPR: KMORIKAWA 2009/07/31	GENERAL TOLERANCES (UNLESS SPECIFIED)		DIMENSION STYLE MM ONLY	SCALE 40:1	DESIGN UNITS METRIC	THIRD ANGLE PROJECTION
	10 UNDER	± 0.2	DRAWN BY HSHIMOYAMA	DATE 2005/03/25	TITLE 0.3 FPC CONN. (H=0.9) HS'G ASSY BOTTOM CONTACT NICKEL BARRIER	
	10 OVER 30 UNDER	± 0.25	CHECKED BY HHIRATA	DATE 2005/03/25	MOLEX INCORPORATED	
	30 OVER	± 0.3	APPROVED BY MSASAO	DATE 2005/03/25	DOCUMENT NO. SD-501628-001	SHEET NO. 2 OF 2
REVISION DESCRIPTION	ANGULAR ± 1 °	MATERIAL NO. SEE TABLE		THIS DRAWING CONTAINS INFORMATION THAT IS PROPRIETARY TO MOLEX INCORPORATED AND SHOULD NOT BE USED WITHOUT WRITTEN PERMISSION		
	DRAFT WHERE APPLICABLE MUST REMAIN WITHIN DIMENSIONS					

注記)
NOTES

1. 製品番号501628-***11の詳細寸法は、製品単体図面を参照下さい。
IN THE PACKAGE PART NUMBER 501628-***11 DETAIL DIMENSIONS, SEE SALES DRAWING FOR CONNECTOR.
2. 梱包数量: 3000個/リール
NUMBER OF CONNECTORS : 3000 PCS/REEL
3. リードテープ長さ
LEAD TAPE LENGTH



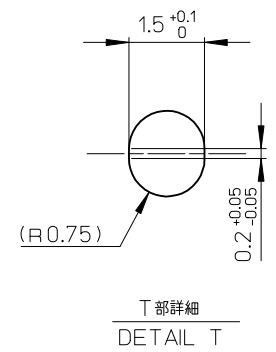
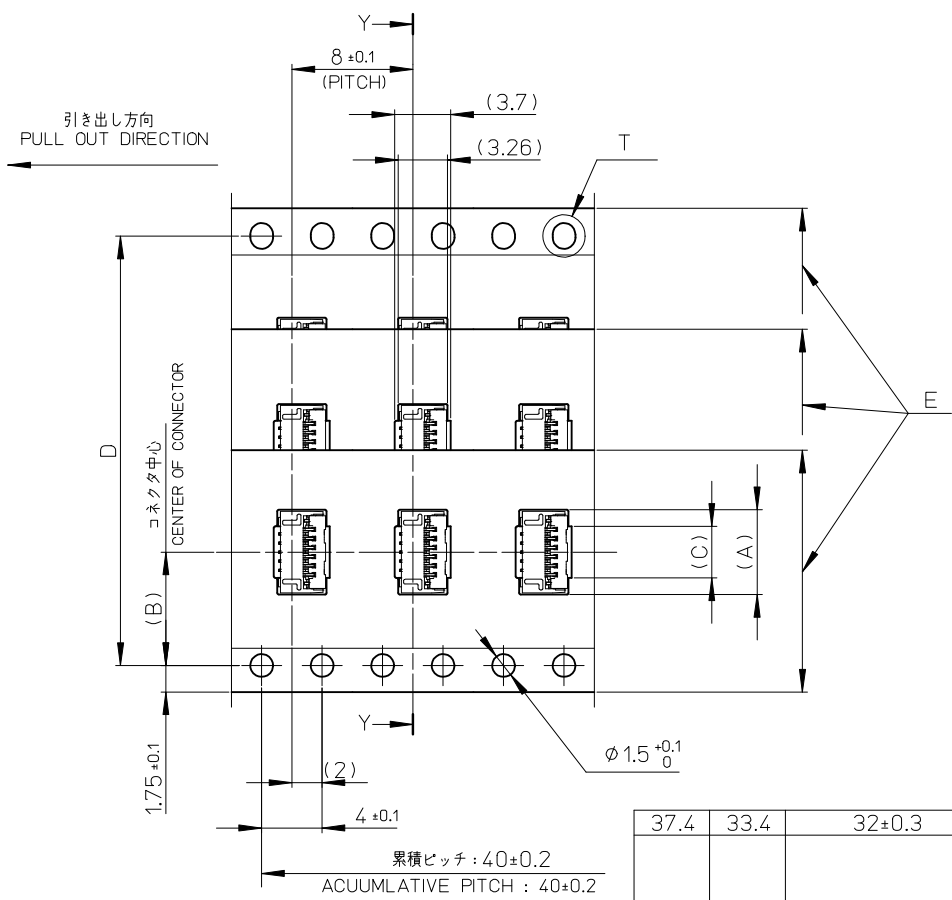
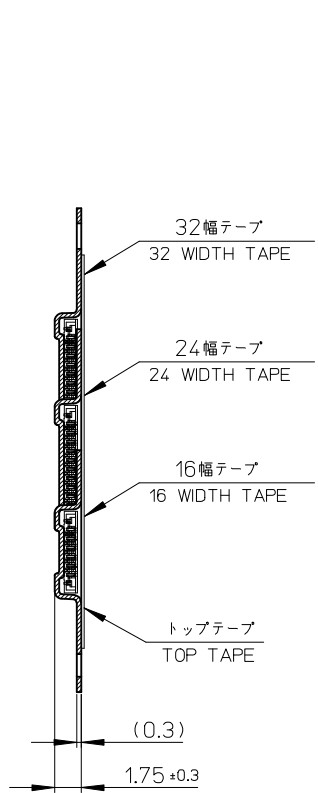
4. トップテープの剥離強度 (剥離方向は下図参照)
PEELING OFF FORCE OF TOP TAPE (PEELING DIRECTION AS SHOWN IN FOLLOWING FIGURE)
0.1-1.3N (10-130gf)
尚、本規格値は出荷時に適用。
THIS REQUIREMENT SHOULD BE APPLIED AT SHIPMENT.
(但し、輸送時に剥離が発生しないこと)
(PEEL OFF SHOULD NOT BE ALLOWED, DURING TRANSPORTION.)



5. 材料
MATERIAL
キャリアテープ: ポリスチレン (PS)
CARRIER TAPE: POLYSTYRENE (PS)
トップテープ: PET、PE、PEF
TOP TAPE : PET, PE, PEF
リール: ポリスチレン
REEL: POLYSTYRENE

6. ELV 及び RoHS 適合品
ELV AND RoHS COMPLIANT

REVISED EC NO: J2010-0068 DRW: KUSATO 2009/07/30 CHKD: HSHIMUYAMA 2009/07/31 APP: KMORIKAWA 2009/07/31	DESCRIPTION	GENERAL TOLERANCES (UNLESS SPECIFIED)		DIMENSION STYLE MM ONLY		SCALE ---	DESIGN UNITS METRIC	THIRD ANGLE PROJECTION		
		10 UNDER	± ---	DRAWN BY HSHIMUYAMA	DATE 2005/08/22	TITLE 0.3 FPC CONN.(FOR 501628-***11) TAPING PACKAGE NICKEL BARRIER				
		10 OVER 30 UNDER	± ---	CHECKED BY HIRATA	DATE 2005/08/22	MOLEX INCORPORATED				
		30 OVER	± ---	APPROVED BY MSASAO	DATE 2005/08/22	DOCUMENT NO. SD-501628-003				
REV	DESCRIPTION	ANGULAR ± --- °		MATERIAL NO. SEE TABLE		SHEET NO. 1 OF 2		THIS DRAWING CONTAINS INFORMATION THAT IS PROPRIETARY TO MOLEX INCORPORATED AND SHOULD NOT BE USED WITHOUT WRITTEN PERMISSION		
		DRAFT WHERE APPLICABLE MUST REMAIN WITHIN DIMENSIONS		SIZE A3						



37.4	33.4	32±0.3	28.4	15.4	14.2	17.6	501628-5191	51	
29.4	25.4	24±0.3	---	13.6	11.5	15.8	501628-4591	45	
				11.8		14	501628-3991	39	
				11.2		13.4	501628-3791	37	
				10.6		12.8	501628-3591	35	
				10.0		12.2	501628-3391	33	
				9.4		11.6	501628-3191	31	
21.4	17.4	16±0.3	---	8.2	7.5	10.4	501628-2791	27	
				6.4		8.6	501628-2191	21	
				3.4		5.6	501628-1191	11	
G	F	E キャリアテープ幅 EMBOSSED TAPE WIDTH		D	C	B	A	製品番号 MATERIAL NO.	極数 CIRCUITS

REVISED EC NO: J2010-0068 DRW: KUSATO 2009/07/30 CHK: HSHIMUYAMA 2009/07/31 APPR: KMORIKAWA 2009/07/31	GENERAL TOLERANCES (UNLESS SPECIFIED)		DIMENSION STYLE MM ONLY		SCALE ---	DESIGN UNITS METRIC		THIRD ANGLE PROJECTION	
	10 UNDER	± ---	DRAWN BY HSHIMUYAMA	DATE 2005/08/22	TITLE 0.3 FPC CONN.(FOR 501628 -**11) TAPING PACKAGE NICKEL BARRIER				
	10 OVER 30 UNDER	± ---	CHECKED BY HHRATA	DATE 2005/08/22	MOLEX INCORPORATED				
	30 OVER	± ---	APPROVED BY MSASAO	DATE 2005/08/22	MATERIAL NO. SEE TABLE		DOCUMENT NO. SD-501628-003		SHEET NO. 2 OF 2
	ANGULAR ± --- °		DRAFT WHERE APPLICABLE MUST REMAIN WITHIN DIMENSIONS		THIS DRAWING CONTAINS INFORMATION THAT IS PROPRIETARY TO MOLEX INCORPORATED AND SHOULD NOT BE USED WITHOUT WRITTEN PERMISSION				