



550-031 and 550-200 D-Subminiature Shorting Cap Split Backshells

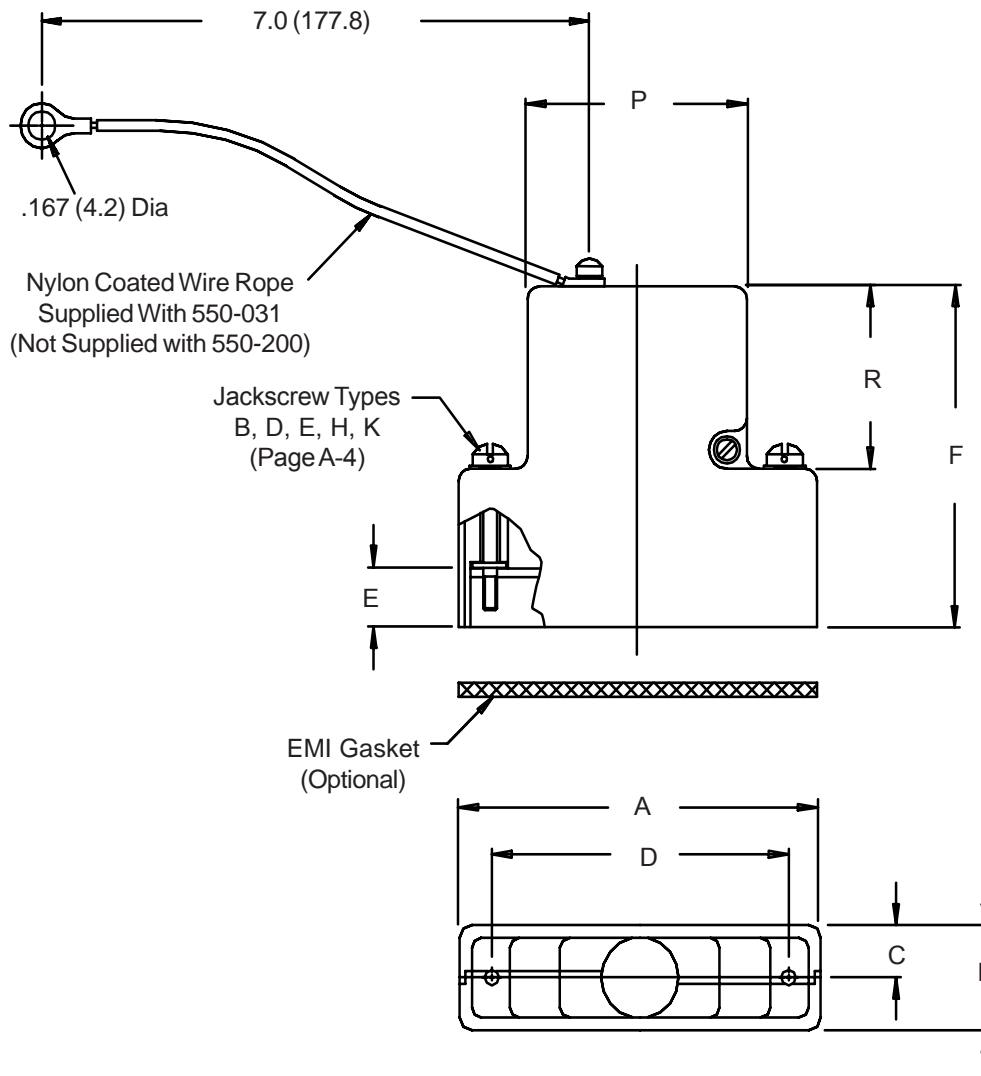
550-031 M 2 FO B 1

Basic Part No. _____
 550-031 With Wire Rope Attachment
 550-200 No Wire Rope Attachment

Finish Symbol (Page 3) _____

Shell Size _____

1 = With EMI Gasket (Omit for none)
 Jackscrew Type (A-4)
 Receptacle Mounting
 CC = Cable-to-Cable Mounting
 FO = Front Mounting
 R1-R9 = Rear Mounting



550-031 and 550-200
D-Subminiature Shorting Cap
Split Backshells



MIL-C-24308
D-Subminiature

COMMON BACKSHELL DIMENSIONS

Shell Size	Com'l Shell Size Ref	A		B		C Ref.		D		P		R Ref	
		Max	(mm)	Max	(mm)		(mm)	$\pm .005$	(mm)		(mm)		(mm)
1	E/09	1.393	(35.4)	.624	(15.8)	.312	(7.9)	.984	(25.0)	.730	(18.5)	.719	(18.3)
2	A/15	1.706	(43.3)	.624	(15.8)	.312	(7.9)	1.312	(33.3)	1.050	(26.7)	.719	(18.3)
3	B/25	2.265	(57.5)	.624	(15.8)	.312	(7.9)	1.852	(47.0)	1.594	(40.5)	.938	(23.8)
4	C/37	2.900	(73.7)	.624	(15.8)	.312	(7.9)	2.500	(63.5)	2.240	(56.9)	.938	(23.8)
5	D/50	2.800	(71.1)	.750	(19.1)	.375	(9.5)	2.406	(61.1)	2.140	(54.4)	.938	(23.8)
6	F/104	2.900	(73.7)	.844	(21.4)	.422	(10.7)	2.500	(63.5)	2.240	(56.9)	1.094	(27.8)

CABLE MOUNTING DIMENSIONS

Dash No.	Panel Thickness	E	F $\pm .031$ (0.79)		
			Sizes 1 & 2	Sizes 3 - 5	Size 6
CC	n/a	.174 (4.4)	1.451 (36.9)	1.671 (42.4)	1.820 (46.2)
F0	n/a	.343 (8.7)	1.625 (41.3)	1.844 (46.8)	2.000 (50.8)
R1	.031 (.8)	.247 (6.3)	1.525 (38.7)	1.745 (44.3)	1.890 (48.0)
R2	.047 (1.2)	.231 (5.9)	1.509 (38.3)	1.728 (43.9)	1.875 (47.6)
R3	.062 (1.6)	.216 (5.5)	1.500 (38.1)	1.720 (43.7)	1.860 (47.2)
R4	.093 (2.4)	.185 (4.7)	1.470 (37.3)	1.690 (42.9)	1.829 (46.5)
R5	.104 (2.6)	.174 (4.4)	1.451 (36.9)	1.671 (42.4)	1.820 (46.2)
R6	.125 (3.2)	.153 (3.9)	1.430 (36.3)	1.650 (41.9)	1.798 (45.7)
R7	.156 (4.0)	.125 (3.2)	1.400 (35.6)	1.620 (41.1)	1.767 (44.9)
R8	.135 (3.4)	.140 (3.6)	1.417 (36.0)	1.637 (41.6)	1.805 (45.8)
R9	.188 (4.8)	.094 (2.4)	1.368 (34.7)	1.590 (40.4)	1.740 (44.2)

1. Metric dimensions (mm) are indicated in parentheses.
2. DO NOT USE CONNECTORS WITH FLOAT MOUNTINGS.