



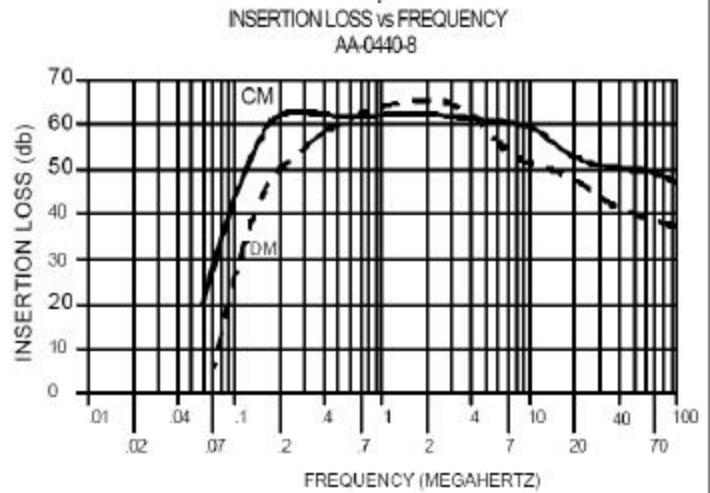
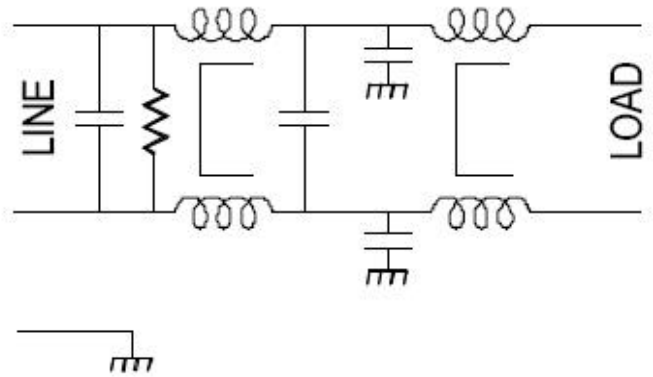
AA-0440-8

This filter series is available with current ratings of 3,6,8, and 10 amps. The filters are also produced with configurations featuring 1/4 tab terminals, AWG #18 leads, or with an IEC inlet connector.

The design is intended for systems which have requirements to meet the following requirements:

- FCC
- EN55022 or other European requirements
- MIL-STD-461D or E.

Other configurations may also be available. Check with our engineering department if you don't find what you need.



Operating Voltage = 115/250 V~
 Operating Current = 8 Amps
 Operating Frequency = 50 / 60 Hz
 Temperature Range = -20 TO 50 Deg. C
 Diel. Withstand (L-CASE) = 1500 V~ FOR 1 MIN.
 Diel. Withstand (L-L) = 1500 Vdc For 1 Min.
 Leakage Current = 0.5 ma @ 250 V~, 60 Hz
 Discharge Volt after 1.0 second = 10 V Max.
 Agency approvals = UL

Order P/N: AA-0440-8

