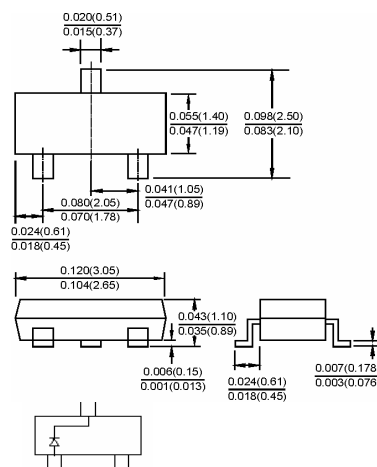


### SOT-23



Dimensions in inches and (millimeters)

### Features

- ✧ Fast switching speed.
- ✧ Surface mount package ideally suited for automatic insertion.
- ✧ For general purpose switching applications.
- ✧ High conductance.

### Applications

- ✧ High speed switching.

### Ordering Information

Type No.	Marking	Package Code
MMBD914	5D	SOT-23

### MAXIMUM RATING @ Ta=25°C unless otherwise specified

Characteristic	Symbol	Limits	Unit
Peak repetitive peak reverse voltage	$V_{RRM}$	75	V
Working peak reverse voltage	$V_{RWM}$		
DC Reverse Voltage	$V_R$		
Forward Continuous Current	$I_{FM}$	200	mA
Power Dissipation	$P_d$	225	mW
Operating Junction Temperature Range	$T_j$	150	°C
Storage Temperature Range	$T_{STG}$	-55 to +150	°C

### ELECTRICAL CHARACTERISTICS @ Ta=25°C unless otherwise specified

Characteristic	Symbol	Min	MAX	UNIT	Test Condition
Reverse Breakdown Voltage	$V_{(BR)R}$	75		V	$I_R=100\mu A$
Forward Voltage	$V_{F1}$		715	mV	$I_F=1mA$
	$V_{F2}$		855		$I_F=10mA$
	$V_{F3}$		1000		$I_F=50mA$
	$V_{F4}$		1250		$I_F=150mA$
Reverse Current	$I_R$		2.5	$\mu A$	$V_R=75V$
Reverse Recovery Time	$t_{rr}$		4	nS	$I_F=I_R=10mA$ $V_R=5V$ $R_C=100\Omega$
Diode Capacitance	$C_D$		20	pF	$V_R=0V, f=1MHz$

TYPICAL CHARACTERISTICS @  $T_a=25^\circ\text{C}$  unless otherwise specified

