

PLEASE CHECK WWW.MOLEX.COM FOR LATEST PART INFORMATION

Part Number: [0563821200](#)
Status: **Active**
Description: CRC™ Shielded Rectangular I/O Cable Clamp

Documents:

3D Model	Product Specification PS-51300-004 (PDF)
Drawing (PDF)	Product Specification PS-51300-005 (PDF)
Product Specification PS-51238-010 (PDF)	RoHS Certificate of Compliance (PDF)

General

Product Family	I/O Connectors
Series	56382
Application	N/A
Component Type	Cable Clamp
Product Name	CRC™
Type	N/A

Physical

Circuits (Loaded)	N/A
Lock to Mating Part	Yes
Material - Plating Mating	n/a
Orientation	Vertical
Packaging Type	Bag
Panel Mount	N/A
Pitch - Mating Interface (in)	0.000 In
Pitch - Mating Interface (mm)	0.00 mm
Polarized to Mating Part	N/A
Temperature Range - Operating	-40°C to +105°C
Termination Interface: Style	N/A

Electrical

Current - Maximum per Contact	N/A
-------------------------------	-----

Material Info

Reference - Drawing Numbers

Product Specification	PS-51238-010, PS-51300-004, PS-51300-005
Sales Drawing	SD-56382-004



EU RoHS
ELV and RoHS
Compliant
REACH SVHC
 Not Reviewed
Halogen-Free
Status
 Not Reviewed

China RoHS



Need more information on product environmental compliance?

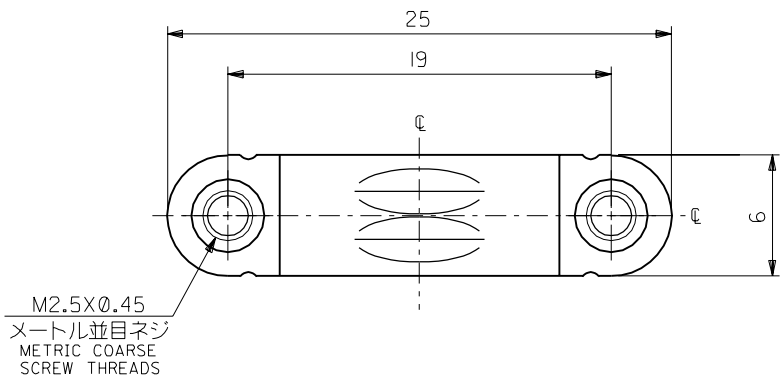
Email productcompliance@molex.com
 For a multiple part number RoHS Certificate of Compliance, [click here](#)

Please visit the [Contact Us](#) section for any non-product compliance questions.

Search Parts in this Series
[56382Series](#)

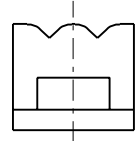
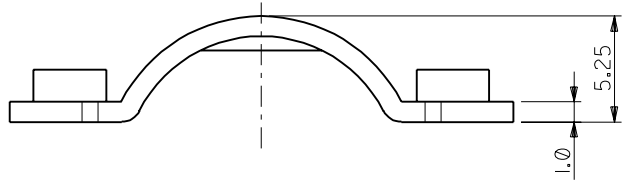
Use With
[56381](#) and [56385](#) shell cover, [58203](#) cross recessed head screw

DWG. NO.
SD-56382-004



注記
NOTES

1. 材質
MATERIAL
ステンレス鋼
STAINLESS STEEL
2. 適合シェルカバー : 56381-1200
APPLICABLE SHELL COVER : 56381-1200
3. 適合ネジ : 十字穴付きなべ小ネジ
APPLICABLE SCREW : CROSS RECESSED PAN HEAD MACHINE SCREW
ネジサイズ : M2.5X8
SCREW SIZE : M2.5X8



56382-1200	56382-****
MATERIAL.NO	MODEL.NO
DIMENSIONS:	
<input type="checkbox"/> mm <input type="checkbox"/> INCH	<input checked="" type="checkbox"/> mm ONLY
SHT	REV
REVISE ON CAD ONLY	

DO NOT SCALE DRAWING

EC NO. DRAWN: CHK'g APPR:	EC NO. DRAWN: CHK'g APPR:	EC NO. DRAWN: CHK'g APPR:	REVISED 01/10/19 EC NO. J2002-0944 DRAWN: K.SAKAMOTO CHK'g: J.MIYAZAWA APPR: Y.O.ITO	RELEASED 01/02/16 EC NO. JD2001-1040 DRAWN: S.AKIYAMA CHK'g: J.MIYAZAWA APPR: H.IKESUGI	MATERIAL 材料 注記参照 SEE NOTES	GENERAL TOLERANCES: (UNLESS SPECIFIED) 一般公差	SCALE 4-1	DESIGN UNITS <input checked="" type="checkbox"/> mm <input type="checkbox"/> INCH	THIRD ANGLE PROJECTION <input checked="" type="checkbox"/> THIRD ANGLE <input type="checkbox"/> FIRST ANGLE	TITLE: COMPACT ROBOT CONN. (CRC) CABLE CLAMP
			A	0	FINISH 仕上げ —	10 UNDER 未満 ±0.2	DRAWN BY & DATE S. Akiyama 01/01/25			Molex MOLEX INCORPORATED
					WIRE RANGE 適用電線範囲 —	10 OVER 30 UNDER 以上 未満 ±0.25	CHECKED BY & DATE J. Miyazawa / Y. Ito			
					INS. RANGE 被覆外径 —	30 OVER 以上 ±0.3	APPROVED BY & DATE S. Akiyama			
						ANGLE 角度 ±3°	CAD FILE NAME 56382004.S01	MATERIAL NO. SEE CHART	DRAWING NO. SD-56382-004	SHEET NO. 1 OF 1
THIS DRAWING CONTAINS INFORMATION THAT IS PROPRIETARY TO MOLEX INCORPORATED AND SHOULD NOT BE USED WITHOUT WRITTEN PERMISSION.										SIZE B