

THE INFORMATION CONTAINED HEREIN IS CONSIDERED "PROPRIETARY" TO BEL FUSE INC. AND SHALL NOT BE COPIED, REPRODUCED OR DISCLOSED WITHOUT THE WRITTEN APPROVAL OF BEL FUSE INC.

LED1 POLARITY			LED2 POLARITY		
PIN 13	PIN 14	COLOR	PIN 15	PIN 16	COLOR
-	+	GREEN	-	+	GREEN

PRELIMINARY

RoHS  
2002/95/EC



ELECTRICAL CHARACTERISTICS @ 25°C

URNS RATIO

TP1	1CT : 1CT ±2%
TP2	1CT : 1CT ±2%
TP3	1CT : 1CT ±2%
TP4	1CT : 1CT ±2%

DCL @ 100kHz/100mVRMS 350µH MIN.  
8mA DC BIAS (0°C - 70°C)

INS. LOSS

0.1MHz TO 1MHz	-1.1 dB MAX
1MHz TO 65MHz	-0.5 dB MAX
65MHz TO 100MHz	-0.8 dB MAX
100MHz TO 125MHz	-1.2 dB MAX

RET. LOSS (MIN) @ 100OHMS ±15%

0.5MHz-40MHz	-18 dB
40MHz-100MHz	-12+20LOG(f/80MHz) dB

CROSS TALK

100kHz - 100MHz -33+20LOG(f/100MHz)dB MIN

CM TO CM REJ

100kHz - 100MHz -30 dB MIN

CM TO DM REJ

100kHz - 100MHz -35 dB MIN

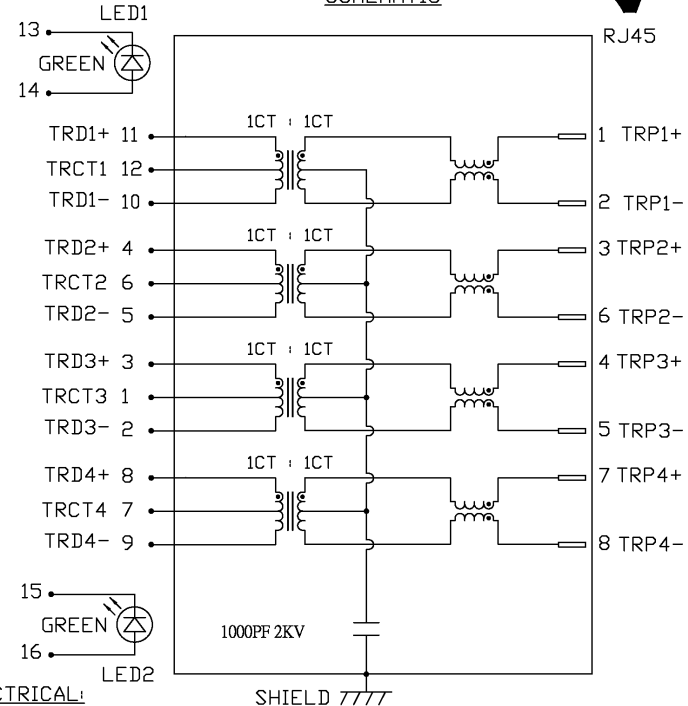
HIPDT (Isolation Voltage): 1500 Vrms or 2250 VDC

100% OF PRODUCT TESTED IN PRODUCTION  
TO COMPLY WITH IEEE 802.3 REQUIREMENTS

LED 1 & 2

V<sub>F</sub> (FORWARD VOLTAGE) IF=20mA GREEN 2.2V TYP.  
λ<sub>D</sub> (DOMINANT WAVELENGTH) IF=20mA GREEN 565nm TYP.

SCHEMATIC



USB ELECTRICAL:

INSULATION RESISTANCE: 1000 MEGA (MIN)  
CONTACT RESISTANCE: 25 MILLI (MAX)  
DIELECTRIC WITHSTANDING: 750 VAC

ORIGINATED BY	DATE	TITLE	PART NO. / DRAWING NO.	STANDARD DIM. TOL. IN INCH	[ ] METRIC DIM. AS REFERENCE
CHUNG	02-16-06	gigabit MagJack® Combo (single USB, 8 cores)	0821-1G1T-N1	.X	UNIT : INCH [mm] REV. : PB
DRAWN BY	DATE		FILE NAME	.XX	SCALE : N/A SIZE : A4
DE	02-16-06		08211G1TNPB.DWG	.XXX	PAGE : 2

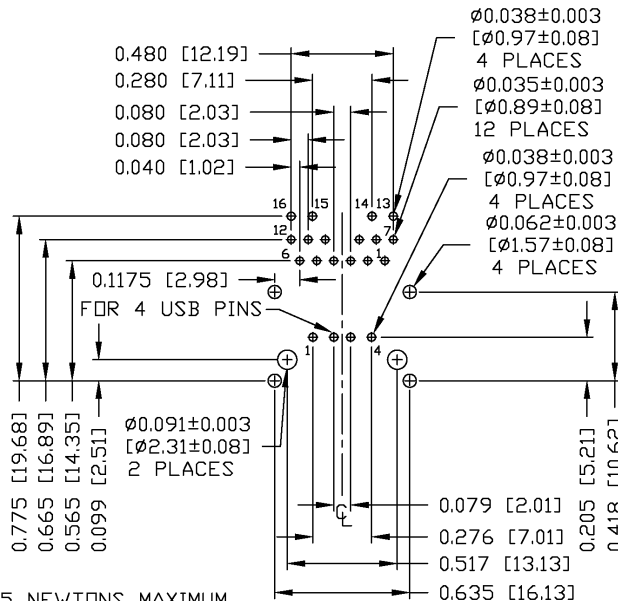
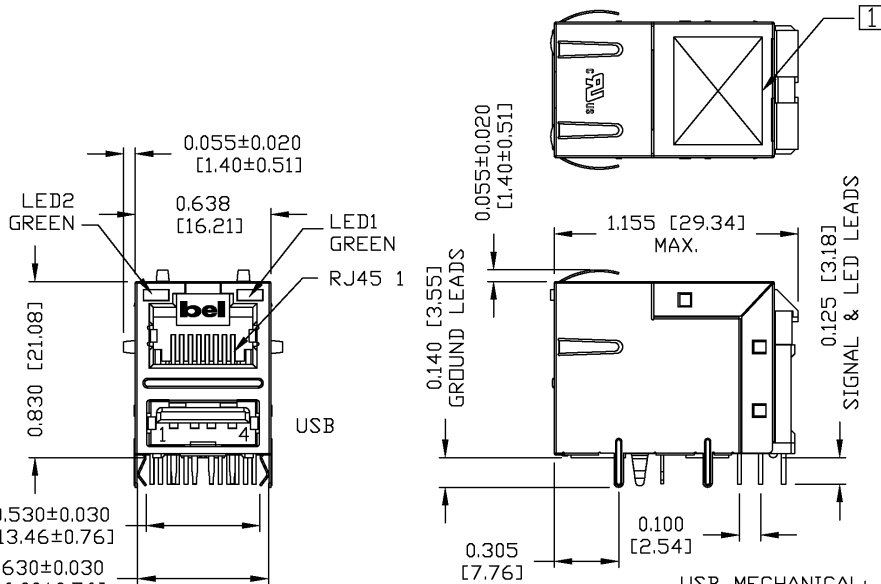


THE INFORMATION CONTAINED HEREIN IS CONSIDERED "PROPRIETARY" TO BEL FUSE INC. AND SHALL NOT BE COPIED, REPRODUCED OR DISCLOSED WITHOUT THE WRITTEN APPROVAL OF BEL FUSE INC.

MECHANICAL SPECIFICATION

PRELIMINARY

RECOMMENDED PCB FOOTPRINT  
COMPONENT SIDE VIEW



RJ45 MECHCNICAL:

PLASTIC HOUSING: THERMOPLASTIC PBT  
 FLAMMABILITY RATING UL 94V-0  
 CONTACT PLATING: 30 MICRO-INCH HARD GOLD PLATING  
 PINS: TIN-COATED COPPER WIRE, DIA 0.018 INCH.  
 METAL SHIELD: NICKEL PLATED ON COPPER ALLOY.  
 (ALL GROUND LEADS ARE SOLDER DIPPED)  
 RoHS COMPLIANCE, PER EU DIRECTIVE 2002/95/EC.

USB MECHANICAL:

MATING FORCE: 35 NEWTONS MAXIMUM  
 UNMATING FORCE: 10 NEWTONS MINIMUM  
 CONTACT: PROSPHER BRONZE  
 30 MICRO-INCH MIN GOLD PLATING ON CONTACT AREA AND LEAD-FREE TIN ON SOLDER TAIL.

[1] MARK PART WITH MFG LOGO, MFG NAME, PART NUMBER, AND DATE CODE.

UL RECOGNIZED - FILE #E196366 AND E169987.

ORIGINATED BY ANTON	DATE 02-16-06	TITLE gigabit MagJack® Combo (single USB, 8 cores)	PART NO. / DRAWING NO. 0821-1G1T-N1	STANDARD DIM. TOL. IN INCH	[ ] METRIC DIM. AS REFERENCE
			FILE NAME 08211G1TNPB.DWG	.X .XX .XXX ±0.010	UNIT : INCH [mm] SCALE : N/A PAGE : 3
DRAWN BY TING	DATE 02-16-06				REV. : PB SIZE : A4

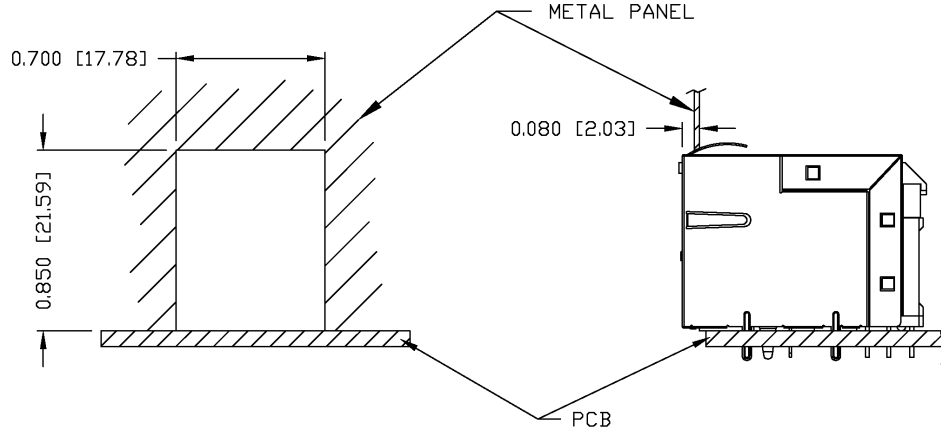


THE INFORMATION CONTAINED HEREIN IS CONSIDERED "PROPRIETARY" TO BEL FUSE INC. AND SHALL NOT BE COPIED, REPRODUCED OR DISCLOSED WITHOUT THE WRITTEN APPROVAL OF BEL FUSE INC.

PRELIMINARY



SUGGESTED PANEL OPENING



NOTES:

THE DISTANCE OF PANEL INSIDE SURFACE RELATIVE TO FRONT SURFACE OF PART IS ONLY A SUGGESTION. IN CASE THIS DISTANCE IS DIFFERENT, THE REQUIRED PANEL OPENING DIMENSIONS CHANGE ACCORDINGLY.

PACKING INFORMATION

PACKING TRAY : 0200-0148-48 (TOP)  
0200-0148-49 (BOTTOM)

PACKING QUANTITY : 60 PCS FINISHED GOODS PER TRAY  
8 TRAYS (480 PCS FINISHED GOODS) PER CARTON BOX

NOTE : CARDBOARDS ARE PLACED BETWEEN LAYERS OF PACKING TRAY INSIDE CARTON BOX  
(INCLUDE THE UPPERMOST AND LOWERMOST TRAY)

ORIGINATED BY ANTON	DATE 02-16-06	TITLE gigabit MagJack® Combo (single USB, 8 cores)	PART NO. / DRAWING NO. 0821-1G1T-N1		STANDARD DIM. TOL. IN INCH		[ ] METRIC DIM. AS REFERENCE	
			FILE NAME 08211G1TNPB.DWG		.X .XX .XXX	±0.004	UNIT : INCH [mm] SCALE : N/A	REV. : PB SIZE : A4 PAGE : 4
DRAWN BY TING	DATE 02-16-06							

