

New Jersey Semi-Conductor Products, Inc.

20 STERN AVE.
 SPRINGFIELD, NEW JERSEY 07081
 U.S.A.

TELEPHONE: (973) 376-2922
 (212) 227-6005
 FAX: (973) 376-8960

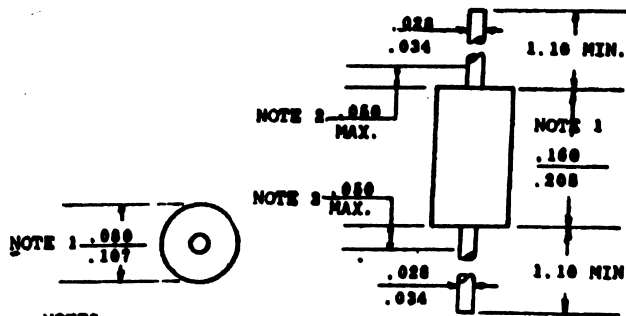
PARAMETERS

1N4441

FAST RECTIFIER, I(O)/I(F) ≤ 100mA

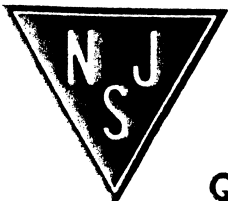
Description: Fast Rectifier, I(O)/I(F) ≤ 100mA

Manufacturer.....	many
Mil/High-Rel? (Y/N).....	
I(out) (If AVG) Max.....	25m
VRRM.....	1.5k
t(rr) (S).....	300n
@If (test).....	2.0m
@Ir (A).....	2.0m
Vf Max.....	4.0
@If (test).....	25m
Ir @25°C.....	300n
@Volts (test) (V).....	1.5k
Ir @ Diff. Temp (A).....	1.0u
@Temp (test) (°C).....	40
Mat.....	Silicon
Oper. Temp (°C) Max.....	150
Pkg Style.....	
Surface Mounted (Y/N).....	N



NOTES:

1. Package contour optional within cylinder of diameter .080 and length .160. Slugs if any, shall be included within this cylinder but shall not be subject to the minimum limit of .080.
2. Lead diameter not controlled in this zone to allow for flash, lead finish build up, and minor irregularities other than slugs.



Quality Semi-Conductors