

LOCK CONDITION

500210-4782 478
MATERIAL NO. CIRCUIT

DIMENSIONS:
mm INCH mm ONLY
SHT REV
REVISE ON CAD ONLY

GENERAL TOLERANCES:
(UNLESS SPECIFIED)
— 公差

10 UNDER 未滿	+0.2
10 OVER 以上 30 UNDER 未滿	+0.25
30 OVER 以上	+0.3
ANGLE 角度	±3°

DRAWN BY & DATE
R. Suzuki '02/06/28
CHECKED BY & DATE
H. Hirata '02/06/28
APPROVED BY & DATE
H. Sasao '02/06/28

CAD FILENAME
SD-500210-001.S01

SCALE 2 - 1
DESIGN UNITS mm INCH
THIRD ANGLE PROJECTION
TITLE:
mPGA478 SOCKET ASS'Y
MATERIAL NO. SEE CHART
DRAWING NO. SD-500210-001
SHEET NO. 1 OF 3

MOLEX INCORPORATED

THIS DRAWING CONTAINS INFORMATION THAT IS PROPRIETARY TO MOLEX INCORPORATED AND SHOULD NOT BE USED WITHOUT WRITTEN PERMISSION.

SIZE B

DO NOT SCALE DRAWING

REV	DESCRIPTION	MATERIAL 材料	FINISH 仕上付	WIRE RANGE 適用電線範圍	INS. RANGE 被覆外径
REVISED	EC NO. SH2006-0156 DRWN: LXWANG 2005/09/27 CHK: JZHANG 2005/09/27 APPR: YTYAP 2005/09/27		#		
REVISED	EC NO. SH2006-0038 DRWN: LXWANG 2005/08/04 CHK: JZHANG 2005/08/04 APPR: YTYAP 2005/08/04		#		
REVISED	EC NO. J2004-4236 DRWN: K.SUZUKI '04/05/14 CHK: H.HIRATA '04/05/14 APPR: M.SASAO '04/05/14		#		
REVISED	EC NO. J2003-1300 DRWN: K.SUZUKI '02/11/07 CHK: H.HIRATA '02/11/07 APPR: M.SASAO '02/11/07		#		
RELEASED	EC NO. J2003-0150 DRWN: K.SUZUKI '02/07/15 CHK: H.HIRATA '02/07/15 APPR: M.SASAO '02/07/15		#		

NOTES:

1. 材料

MATERIAL

ハウジング : 液晶ポリマー、UL94V-0、黒色
HOUSING : LIQUID CRYSTAL POLYMER (LCP)
UL94V-0,COLOR BLACK
カバー : 液晶ポリマー、UL94V-0、水色
COVER : LIQUID CRYSTAL POLYMER (LCP)
UL94V-0,COLOR LIGHT BLUE

端子 : 銅合金
CONTACT : COPPER ALLOY
半田ボール : 半田
SOLDER BALL : TIN-LEAD (63:37)
φ0.76

カム : ステンレス鋼
CAM : STAINLESS STEEL
カムホルダー : ステンレス鋼
CAM HOLDER : STAINLESS STEEL

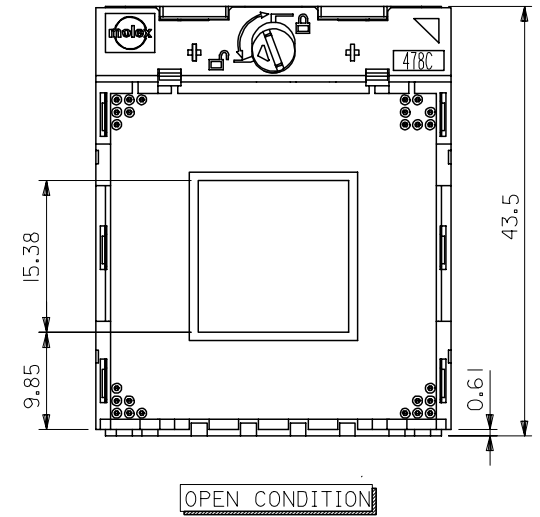
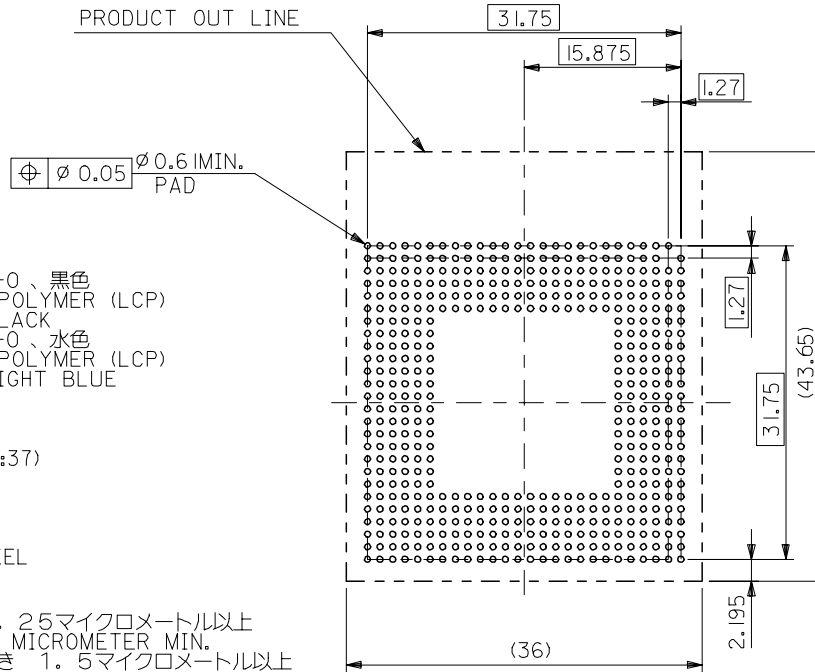
2. めっき
PLATING

接点領域 : 金めっき 0.25マイクロメートル以上
CONTACT AREA : GOLD 0.25 MICROMETER MIN.
下地めっき : ニッケルめっき 1.5マイクロメートル以上
UNDER PLATING : NICKEL 1.5MICROMETER MIN.

3. 半田ボール平坦度

SOLDER BALL COPLANARITY : 0.2MAX.

△. DATE CODE.



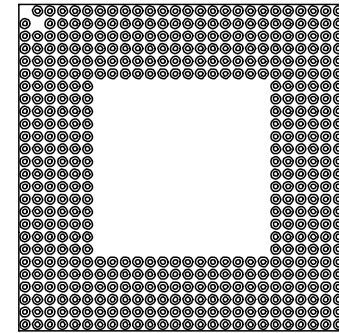
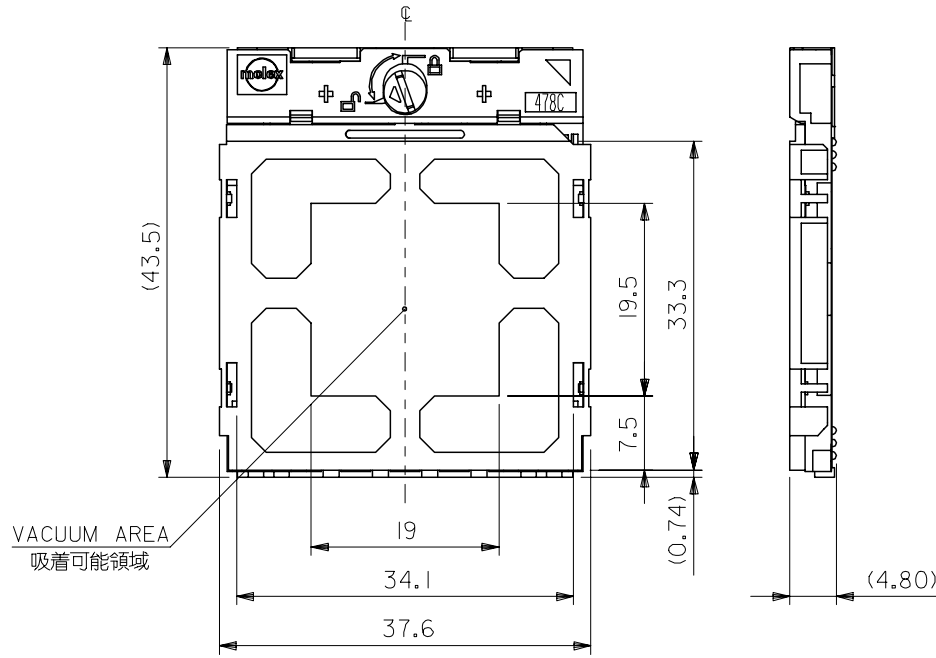
RECOMMENDED P.C. BOARD LAYOUT

推奨基板寸法

DO NOT SCALE DRAWING

EC NO. DRWN: CHK: APPR:	EC NO. DRWN: CHK: APPR:	EC NO. DRWN: CHK: APPR:	EC NO. DRWN: CHK: APPR:	SEE SHEET 1 OF 3	DESCRIPTION	MATERIAL 材料	GENERAL TOLERANCES: (UNLESS SPECIFIED) 一般公差	SCALE 2 - 1	DESIGN UNITS <input checked="" type="checkbox"/> mm <input type="checkbox"/> INCH	THIRD ANGLE PROJECTION	DIMENSIONS: <input type="checkbox"/> mm <input type="checkbox"/> INCH <input type="checkbox"/> mm <input type="checkbox"/> MM <input checked="" type="checkbox"/> mm ONLY	SHT	REV
						FINISH 仕上げ	10 UNDER 未満	+0.2	DRAWN BY & DATE <i>R. Suzuki</i> '02/06/28	TITLE: mPGA478 SOCKET ASS'Y			
						WIRE RANGE 適用電線範囲	10 OVER 以上	30 UNDER 未満	+0.25	CHECKED BY & DATE <i>H. Hirata</i> '02/06/28			
						INS. RANGE 被覆外径	30 OVER 以上		+0.3	APPROVED BY & DATE <i>M. Sano</i> '02/06/28	MOLEX INCORPORATED		
						ANGLE 角度			+3°	CAD FILENAME SD-5002.10-001.S02	MATERIAL NO. SEE SHEET 1 OF 3	DRAWING NO. SD-5002.10-001	SHEET NO. 2 OF 3
THIS DRAWING CONTAINS INFORMATION THAT IS PROPRIETARY TO MOLEX INCORPORATED AND SHOULD NOT BE USED WITHOUT WRITTEN PERMISSION.										SIZE B			

DWG. 10.
SD-5002.10-001



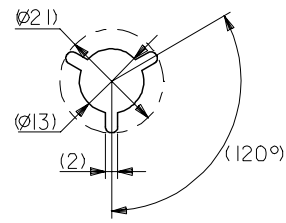
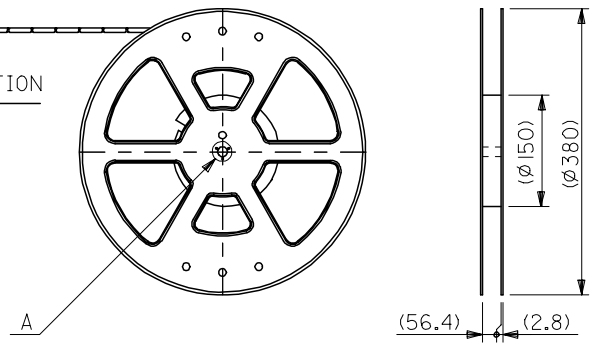
USING INTERPOSER (PIN SIDE VIEW)
使用インターポザー

AT PACKAGED (WITH ATTACHMENT COVER)
梱包状態 (アタッチメント・カバー付き)

DO NOT SCALE DRAWING

EC NO. DRWN: CHK: APPR:		EC NO. DRWN: CHK: APPR:		EC NO. DRWN: CHK: APPR:		EC NO. DRWN: CHK: APPR:		SEE SHEET 1 OF 3 EC NO. DRWN: CHK: APPR:		DESCRIPTION		MATERIAL 材料		GENERAL TOLERANCES: (UNLESS SPECIFIED) 一般公差		SCALE 2 - 1		DESIGN UNITS <input checked="" type="checkbox"/> mm <input type="checkbox"/> INCH		THIRD ANGLE PROJECTION		DIMENSIONS: <input type="checkbox"/> mm <input type="checkbox"/> INCH <input checked="" type="checkbox"/> mm ONLY		SHT REV			
E		D		C		B		A		FINISH 仕上げ		10 UNDER 未満		+0.2		DRAWN BY & DATE <i>R. Suzuki</i> '02/06/28		TITLE: mPGA478 SOCKET ASS'Y									
										WIRE RANGE 適用電線範囲		10 OVER 以上		30 UNDER 未満		+0.25		CHECKED BY & DATE <i>H. Hirata</i> '02/06/28									
										INS. RANGE 被覆外径		30 OVER 以上				+0.3		APPROVED BY & DATE <i>H. Sasao</i> '02/06/28		MOLEX INCORPORATED							
												ANGLE 角度				±3°		CAD FILENAME SD-5002.10-001.S03		MATERIAL NO. SEE SHEET 1 OF 3		DRAWING NO. SD-5002.10-001		SHEET NO. 3			
																				THIS DRAWING CONTAINS INFORMATION THAT IS PROPRIETARY TO MOLEX INCORPORATED AND SHOULD NOT BE USED WITHOUT WRITTEN PERMISSION.				SIZE B			

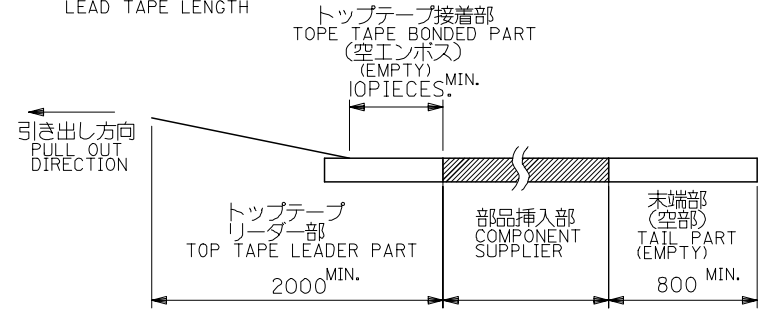
引き出し方向
PULL OUT DIRECTION



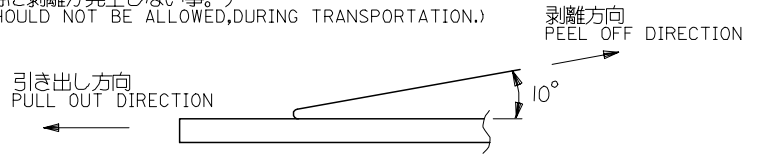
DETAIL A

注)
NOTES

- 製品番号 500210-4782/4792 詳細寸法については、製品単体図面を参照下さい。
IN THE PACKAGE PART NUMBER 500210-4782/4792 DETAILED DIMENSIONS, SEE SALES DRAWING FOR CONNECTOR.
- 梱包数量：160個/リール
NUMBER OF CONNECTORS:160 PIECES/REEL.
- リードテープ長さ
LEAD TAPE LENGTH



- トップテープの剥離強度：(剥離方向は下図参照)
PEELING OFF FORCE OF TOP TAPE (PELLING DIRECTION AS SHOWN IN FOLLOWING FIGIRE.)
0.1~1.3N (10.2~130gf)
尚、本規格値は、出荷時に適用。
THIS REQUIREMENT SHOULD BE APPLIED AT SHIPMENT.
(但し、輸送時に剥離が発生しない事。)
(PEEL OFF SHOULD NOT BE ALLOWED,DURING TRANSPORTATION.)



- 材料
MATERIAL
キャリアテープ：ポリプロピレン (PP)
CARRIER TAPE:POLYPROPYLENE(PP)
トップテープ：PET, PE, PEF
TOP TAPE:PET,PE,PEF
リール：ポリスチレン
REEL:POLYSTYRENE

DO NOT SCALE DRAWING

REVISED
EC NO. J2004-4236
DRWN: K.SUZUKI '04/05/14
CHK: H.HIRATA '04/05/14
APPR: M.SASAO '04/05/14
REVISED FOR RELEASE
EC NO. J2003-0875
DRWN: K.SUZUKI '03/05/14
CHK: H.HIRATA '03/05/14
APPR: M.SASAO '03/05/14
REVISED FOR REFERENCE ONLY
EC NO. J2003-1300
DRWN: K.SUZUKI '02/11/07
CHK: H.HIRATA '02/11/07
APPR: M.SASAO '02/11/07
REVISED
EC NO. J2003-0150
DRWN: K.SUZUKI '02/07/17
CHK: H.HIRATA '02/07/17
APPR: M.SASAO '02/07/17
RELEASED
EC NO. J2002-3275
DRWN: K.SUZUKI '02/06/28
CHK: H.HIRATA '02/06/28
APPR: M.SASAO '02/06/28

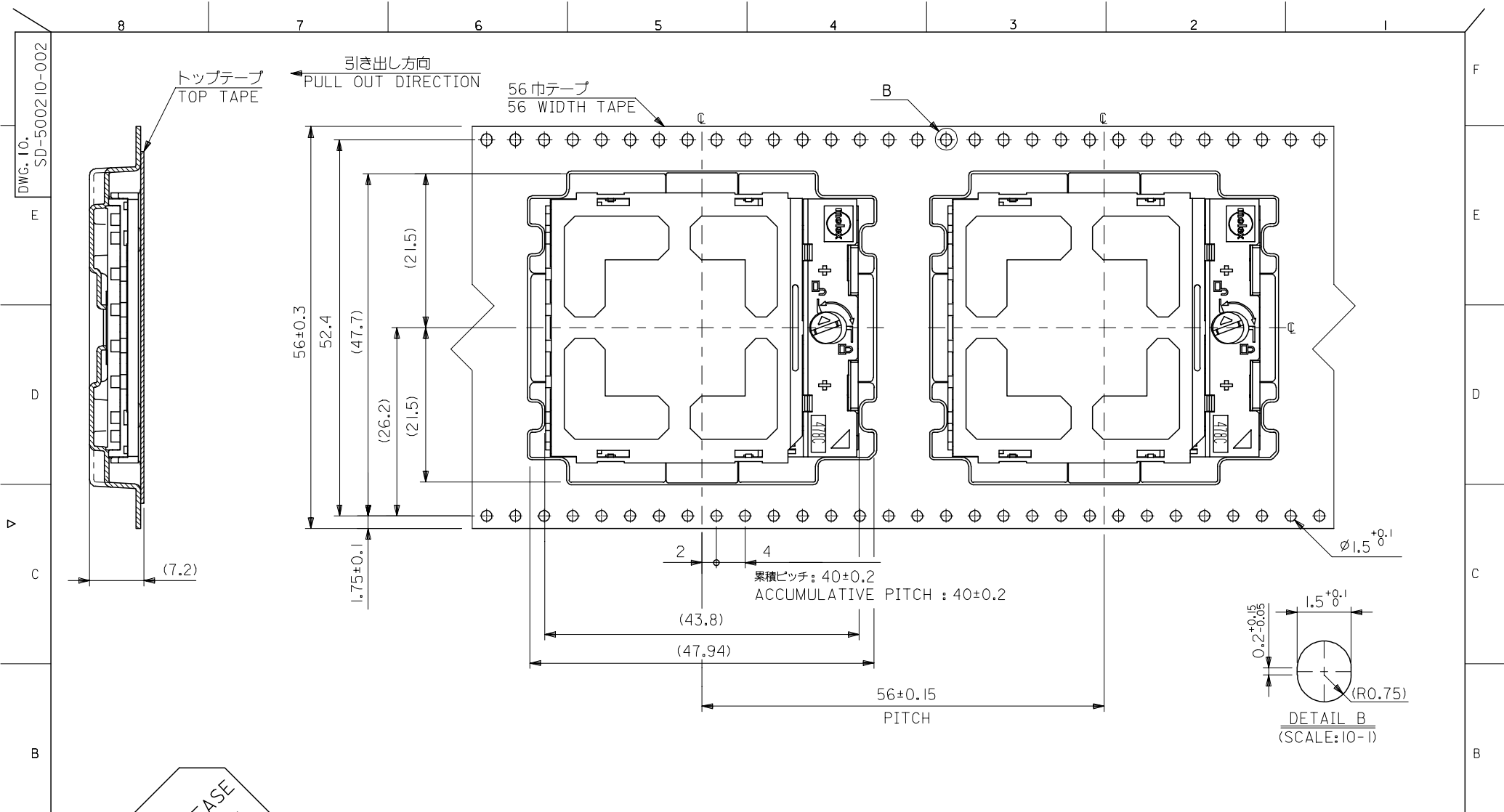
REV	DESCRIPTION	MATERIAL 材料	FINISH 仕上げ	WIRE RANGE 適用電線範囲	INS. RANGE 被覆外径
D		SEE NOTES	SEE NOTES	#	#
C					
B					
A					
O					

GENERAL TOLERANCES: (UNLESS SPECIFIED) 一般公差	SCALE NONE	DESIGN UNITS <input checked="" type="checkbox"/> mm <input type="checkbox"/> INCH	THIRD ANGLE PROJECTION <input checked="" type="checkbox"/> <input type="checkbox"/>	DIMENSIONS: <input type="checkbox"/> mm <input type="checkbox"/> INCH <input type="checkbox"/> mm <input checked="" type="checkbox"/> ONLY	SHT REV
10 UNDER 未満	±0.2	DRAWN BY & DATE K. Suzuki '02/06/28	TITLE: 500210-4782 SOCKET ASS'Y TAPING PACKAGE		
10 OVER 以上	±0.25	CHECKED BY & DATE H. Hirata '02/06/28			
30 UNDER 未満	±0.3	APPROVED BY & DATE M. Sasao '02/06/28			
30 OVER 以上	±0.3				
ANGLE 角度	±3°	CAD FILENAME SD-500210-001.S01	MATERIAL NO. SEE CHART	DRAWING NO. SD-500210-002	SHEET NO. 1 OF 2
		THIS DRAWING CONTAINS INFORMATION THAT IS PROPRIETARY TO MOLEX INCORPORATED AND SHOULD NOT BE USED WITHOUT WRITTEN PERMISSION.			SIZE B

500210-4782	500210-4784	478
CONNECTOR NO.	MATERIAL NO.	CIRCUIT

MOLEX INCORPORATED

DWG. 10.
SD-500210-002



PRE-RELEASE
REFERENCE
USE ONLY

DO NOT SCALE DRAWING

EC NO. DRWN: CHK: APPR:		EC NO. DRWN: CHK: APPR:		EC NO. DRWN: CHK: APPR:		EC NO. DRWN: CHK: APPR:		EC NO. DRWN: CHK: APPR:		EC NO. DRWN: CHK: APPR:		REV		MATERIAL 材料		GENERAL TOLERANCES: (UNLESS SPECIFIED) 一般公差		SCALE 2 - 1		DESIGN UNITS <input checked="" type="checkbox"/> mm <input type="checkbox"/> INCH		THIRD ANGLE PROJECTION		DIMENSIONS: <input type="checkbox"/> mm <input type="checkbox"/> INCH <input checked="" type="checkbox"/> mm ONLY		SHT REV	
D		C		B		A		O		REV		DESCRIPTION		FINISH 仕上げ		10 UNDER 未滿		DRAWN BY & DATE <i>R. Sugawara</i> '02/06/28		TITLE: 500210-4782 SOCKET ASS'Y TAPING PACKAGE							
														30 OVER 以上		+0.25		CHECKED BY & DATE <i>H. Hirata</i> '02/06/28									
														30 OVER 以上		+0.3		APPROVED BY & DATE <i>M. Saito</i> '02/06/28		MATERIAL NO. SEE SHEET 1 OF 2		DRAWING NO. SD-500210-002		SHEET NO. 2			
														WIRE RANGE 適用電線範囲		#		CAD FILENAME SD-500210-001.S02									
														INS. RANGE 被覆外径		#											
														ANGLE 角度		+3°											

THIS DRAWING CONTAINS INFORMATION THAT IS PROPRIETARY TO MOLEX INCORPORATED AND SHOULD NOT BE USED WITHOUT WRITTEN PERMISSION.