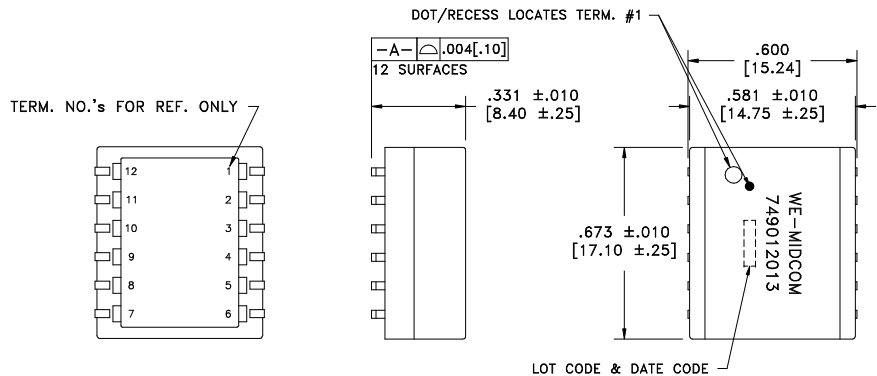
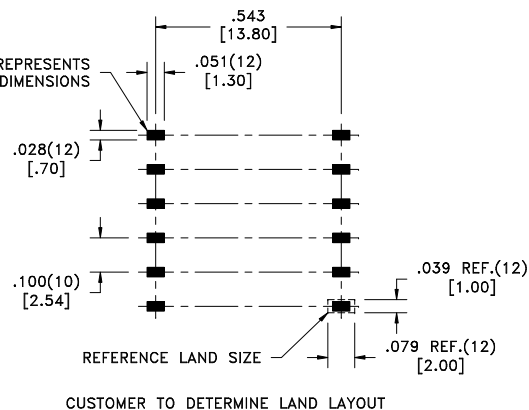
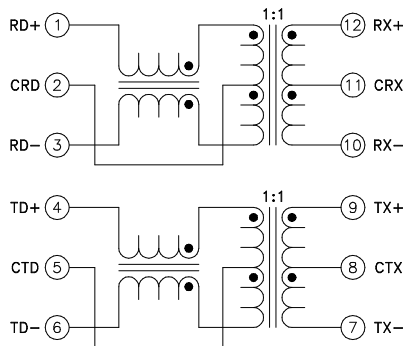
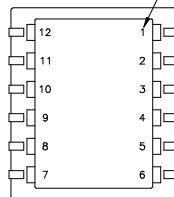


CUSTOMER TERMINAL	RoHS	LEAD(Pb)-FREE
Sn96%, Ag4%	Yes	Yes

more than you expect



TERM. NO.'s FOR REF. ONLY



**ELECTRICAL SPECIFICATIONS @ 25°C unless otherwise noted:**

PARAMETER	TEST CONDITIONS	VALUE
INDUCTANCE	12-10 100kHz, 100mVAC, 36mADC, Lp	350uH min.
INDUCTANCE	7-9 100kHz, 100mVAC, 36mADC, Lp	350uH min.
DIELECTRIC	1-12 tie(1+4, 12+9), 1800Vrms, 1 second	1500Vrms, 1 minute
URNS RATIO	(1-3):(12-10)	1:1, ±2%
URNS RATIO	(4-6):(9-7)	1:1, ±2%
INSERTION LOSS	500k-100MHz	-1.0dB max.
RETURN LOSS	500k - 30MHz	-18dB min.
RETURN LOSS	30M - 45MHz	-15dB min.
RETURN LOSS	45M - 60MHz	-13dB min.
RETURN LOSS	60M - 80MHz	-10dB min.
CROSSTALK	1M - 100MHz	-35dB min.
CMRR	500k - 100MHz	-33dB min.

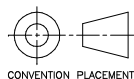
**GENERAL SPECIFICATIONS:**

OPERATING TEMPERATURE RANGE: 0°C to +70°C.

Designed for increased PoE+ requirement, 1.1ADC current capability.

COPLANARITY: All 12 terminals must lie on a plane within .004 [.10] of Surface A after lead tinning.

REV.	DATE	Packaging Specifications Method: <b>Tape &amp; Reel</b> PKG-0645 www.we-online.com/midcom
6A	10/10	SEE REVISION SHEET FOR REVISION LEVEL



CONVENTION PLACEMENT

Tolerances unless otherwise specified:  
Angles: ±1°      Decimals: ±.005 [.13]  
Fractions: ±1/64      Footprint: ±.005 [.13]

This drawing is dual dimensioned. Dimensions in brackets are in millimeters.

DRAWING TITLE

**TRANSFORMER**  
PoE+ EDFP-J12

eiSos p/n: 749012013

PART NO.

**749012013**



SPECIFICATION SHEET 1 OF 1