



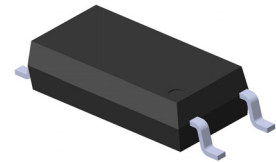
LIGHTING FOREVER

# 4 PIN LONG CREEPAGE SOP PHOTOTRANSISTOR PHOTOCOUPLER

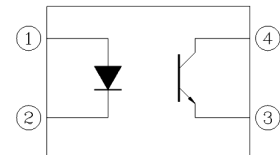
## EL101X-G Series

### Features:

- Free halogens compliant
- Current transfer ratio  
(CTR: 50~600% at  $I_F = 5\text{mA}$ ,  $V_{CE} = 5\text{V}$ )  
(CTR: 63~320% at  $I_F = 10\text{mA}$ ,  $V_{CE} = 5\text{V}$ )
- High isolation voltage between input and output (Viso=5000 V rms )
- Compact 4 Pin SOP with a 2.0 mm profile
- 8mm long creepage distance
- Pb free and RoHS compliant.
- CUL approved (No. E214129)
- VDE approved (No. 40028391)
- SEMKO approved
- NEMKO approved
- DEMKO approved
- FIMKO approved



### Schematic



### Pin Configuration

1. Anode
2. Cathode
3. Emitter
4. Collector

### Description

The EL101X-G series devices consist of an infrared emitting diode, optically coupled to a phototransistor detector. Compound use free halogens and  $\text{Sb}_2\text{O}_3$ . They are packaged in a 4-pin SOP package.

### Applications

- Programmable controllers
- System appliances, measuring instruments
- Telecommunication equipments
- Home appliances, such as fan heaters, etc.
- Signal transmission between circuits of different potentials and impedances



LIGHTING FOREVER

# 4 PIN LONG CREEPAGE SOP PHOTOTRANSISTOR PHOTOCOUPLER

## EL101X-G Series

### Absolute Maximum Ratings ( $T_a=25^{\circ}\text{C}$ )

Parameter		Symbol	Rating	Unit
Input	Forward current	$I_F$	60	mA
	Peak forward current (1us, pulse)	$I_{FP}$	1.5	A
	Reverse voltage	$V_R$	6	V
	Power dissipation	$P_D$	100	mW
Output	Power dissipation	$P_C$	150	mW
	Collector current	$I_C$	50	mA
	Collector-Emitter voltage	$V_{CEO}$	80	V
	Emitter-Collector voltage	$V_{ECO}$	7	V
Total power dissipation		$P_{TOT}$	250	mW
Isolation voltage <sup>*1</sup>		$V_{ISO}$	5000	V rms
Operating temperature		$T_{OPR}$	-55 ~ +110	$^{\circ}\text{C}$
Storage temperature		$T_{STG}$	-55 ~ +125	$^{\circ}\text{C}$
Soldering temperature <sup>*2</sup>		$T_{SOL}$	260	$^{\circ}\text{C}$

#### Notes

\*1 AC for 1 minute, R.H.= 40 ~ 60% R.H. In this test, pins 1 & 2 are shorted together, and pins 3 & 4 are shorted together.

\*2 For 10 seconds.



LIGHTING FOREVER

# 4 PIN LONG CREEPAGE SOP PHOTOTRANSISTOR PHOTOCOUPLER

## EL101X-G Series

### Electrical Characteristics (T<sub>a</sub>=25°C unless specified otherwise)

#### Input

Parameter	Symbol	Min.	Typ.*	Max.	Unit	Condition
Forward voltage	V <sub>F</sub>	-	1.45	1.5	V	I <sub>F</sub> = 50mA
Reverse current	I <sub>R</sub>	-	-	10	μA	V <sub>R</sub> = 6V
Input capacitance	C <sub>in</sub>	-	50	-	pF	V = 0, f = 1kHz

#### Output

Parameter	Symbol	Min.	Typ.*	Max.	Unit	Condition
Collector-Emitter dark current	I <sub>CEO</sub>	-	-	100	nA	V <sub>CE</sub> = 20V, I <sub>F</sub> = 0mA
Collector-Emitter breakdown voltage	BV <sub>CEO</sub>	80	-	-	V	I <sub>C</sub> = 0.1mA
Emitter-Collector breakdown voltage	BV <sub>ECO</sub>	7	-	-	V	I <sub>E</sub> = 0.1mA

### Transfer Characteristics (T<sub>a</sub>=25°C unless specified otherwise)

Parameter	Symbol	Min.	Typ.*	Max.	Unit	Condition	
Current Transfer ratio	EL1010	CTR	50	-	600	%	I <sub>F</sub> = 5mA, V <sub>CE</sub> = 5V
	EL1017		80	-	160		
	EL1018		130	-	260		
	EL1019		200	-	400		
	EL1012	CTR	63	-	125	%	I <sub>F</sub> = 10mA, V <sub>CE</sub> = 5V
	EL1013		100	-	200		
	EL1014		160	-	320		
	EL1012		22	-	-		I <sub>F</sub> = 1mA, V <sub>CE</sub> = 5V
	EL1013		34	-	-		
	EL1014		56	-	-		
Collector-Emitter saturation voltage	V <sub>CE(sat)</sub>	-	-	0.3	V	I <sub>F</sub> = 10mA, I <sub>C</sub> = 1mA	
Isolation resistance	R <sub>IO</sub>	5×10 <sup>10</sup>	-	-	Ω	V <sub>IO</sub> = 500Vdc, 40~60% R.H.	
Floating capacitance	C <sub>IO</sub>	-	-	1.0	pF	V <sub>IO</sub> = 0, f = 1MHz	



LIGHTING FOREVER

# 4 PIN LONG CREEPAGE SOP PHOTOTRANSISTOR PHOTOCOUPLER

## EL101X-G Series

Transfer Characteristics ( $T_a=25^\circ\text{C}$  unless specified otherwise)

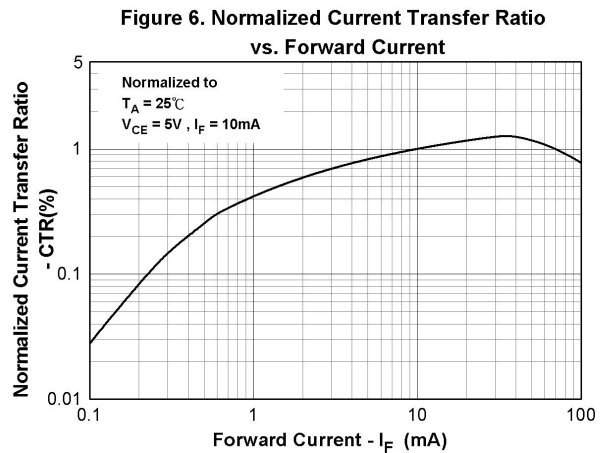
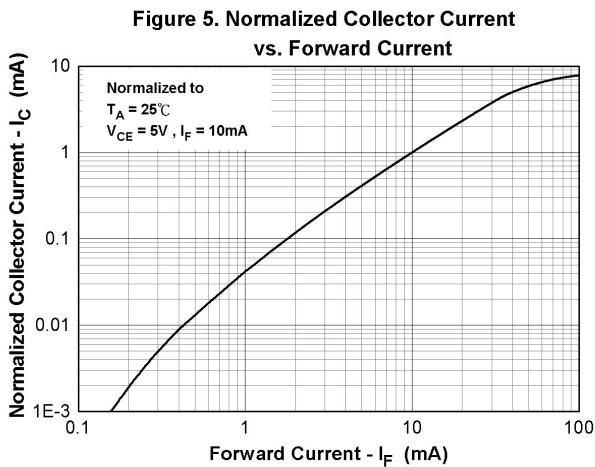
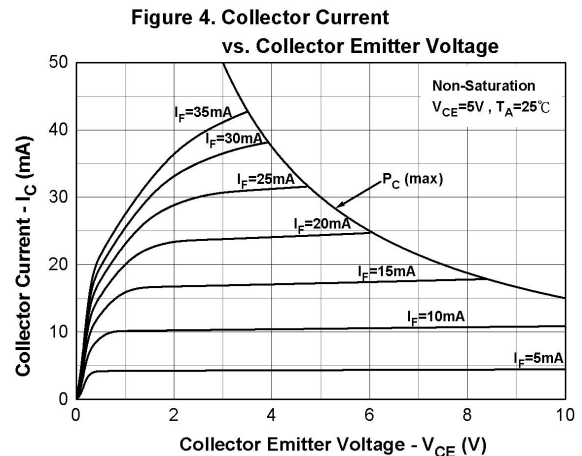
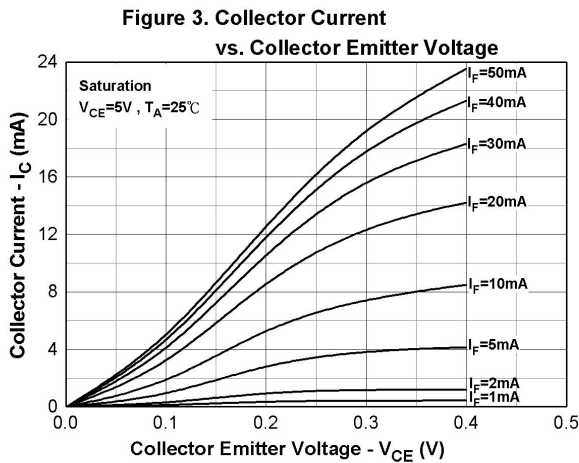
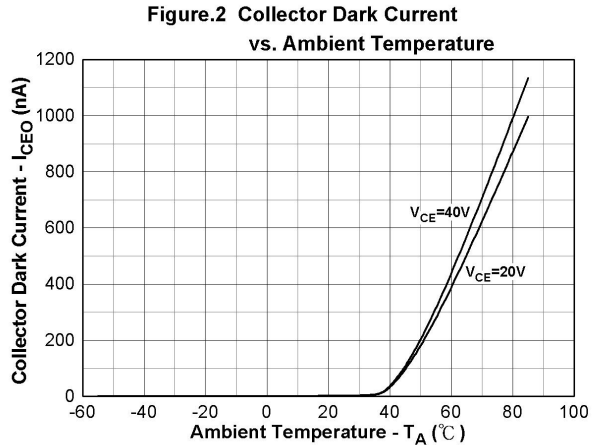
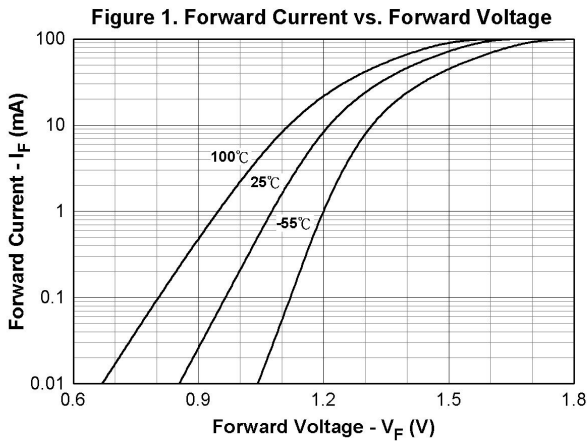
Turn on time	Ton	-	4	-	$\mu\text{s}$	$V_{CE} = 5\text{V}, I_C = 5\text{mA},$ $R_L = 100\Omega$
Turn off time	Toff	-	3	-		
Rise time	$t_r$	-	2	18	$\mu\text{s}$	$V_{CE} = 5\text{V}, I_C = 5\text{mA},$ $R_L = 100\Omega$
Fall time	$t_f$	-	3	18	$\mu\text{s}$	

\* Typical values at  $T_a = 25^\circ\text{C}$

# 4 PIN LONG CREEPAGE SOP PHOTOTRANSISTOR PHOTOCOUPLER

**EL101X-G Series**

## Typical Performance Curves



# 4 PIN LONG CREEPAGE SOP PHOTOTRANSISTOR PHOTOCOUPLER

## EL101X-G Series

Figure 7. Normalized Current Transfer Ratio vs. Ambient Temperature

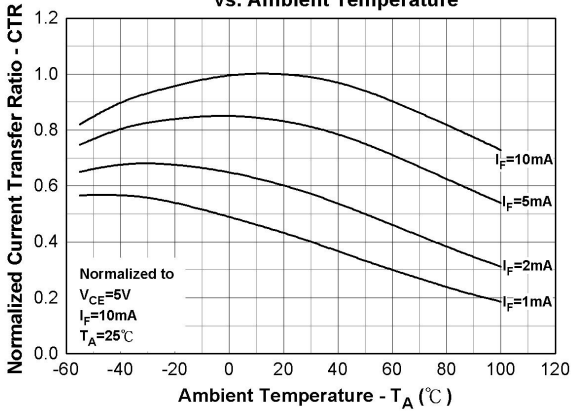


Figure 8. Normalized Current Transfer Ratio vs. Ambient Temperature

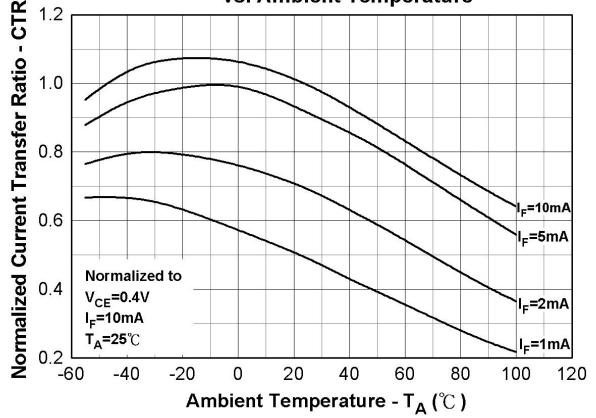


Figure 9. Turn on/off Time vs. Collector Current

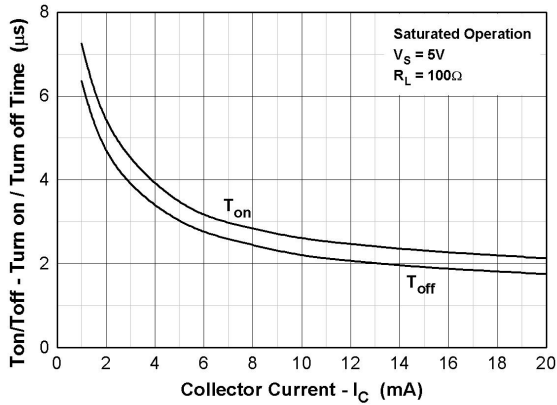


Figure 10. Turn on/off Time vs. Forward Current

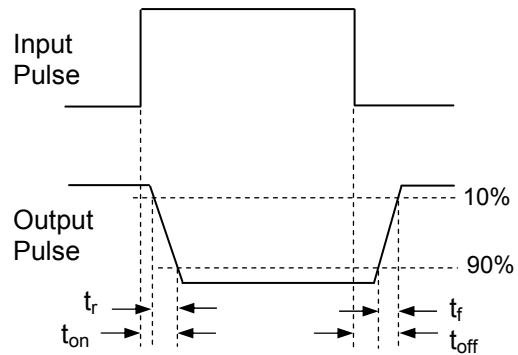
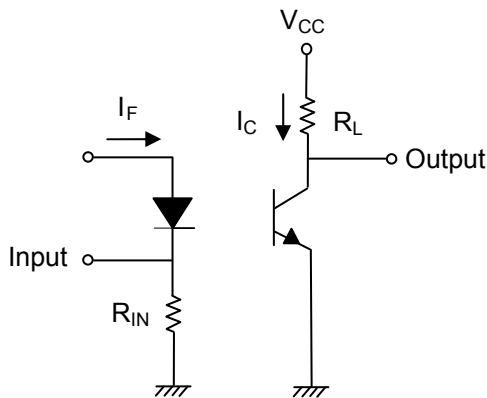
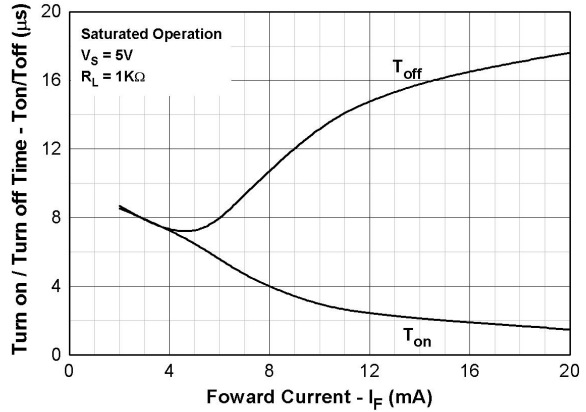


Figure 10. Switching Time Test Circuit & Waveforms



LIGHTING FOREVER

# 4 PIN LONG CREEPAGE SOP PHOTOTRANSISTOR PHOTOCOUPLER

## EL101X-G Series

### Order Information

Part Number

# EL101X(Y)-VG

#### Note

EL101 = Part No.

X = CTR Rank (0, 2, 3, 4, 7, 8 or 9)

Y = Tape and reel option (TA, TB or none).

V = VDE safety (optional)

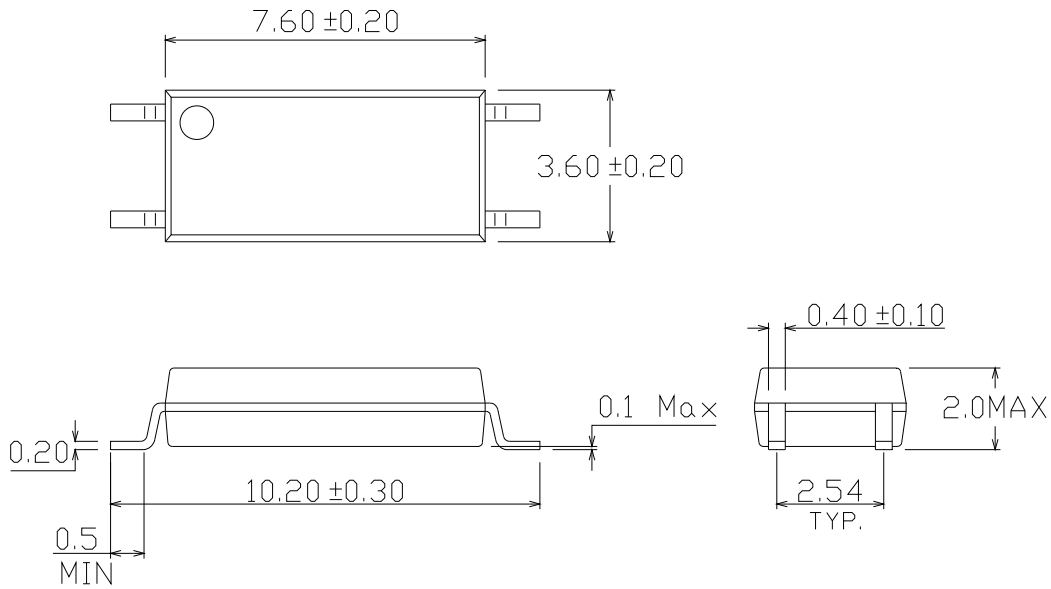
G = Halogens free

Option	Description	Packing quantity
None	Standard SMD option	100 units per tube
-V	Standard SMD option + VDE	100 units per tube
(TA)	TA Tape & reel option	2000 units per reel
(TB)	TB Tape & reel option	2000 units per reel
(TA)-V	TA Tape & reel option + VDE	2000 units per reel
(TB)-V	TB Tape & reel option + VDE	2000 units per reel

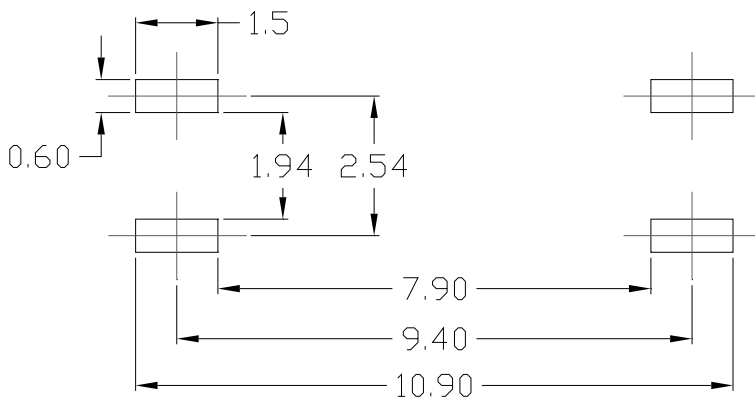
**4 PIN LONG CREEPAGE SOP  
PHOTOTRANSISTOR PHOTOCOUPLER**

**EL101X-G Series**

**Package Drawing  
(Dimensions in mm)**



**Recommended pad layout for surface mount leadform**







LIGHTING FOREVER

# 4 PIN LONG CREEPAGE SOP PHOTOTRANSISTOR PHOTOCOUPLER

## EL101X-G Series

### Device Marking



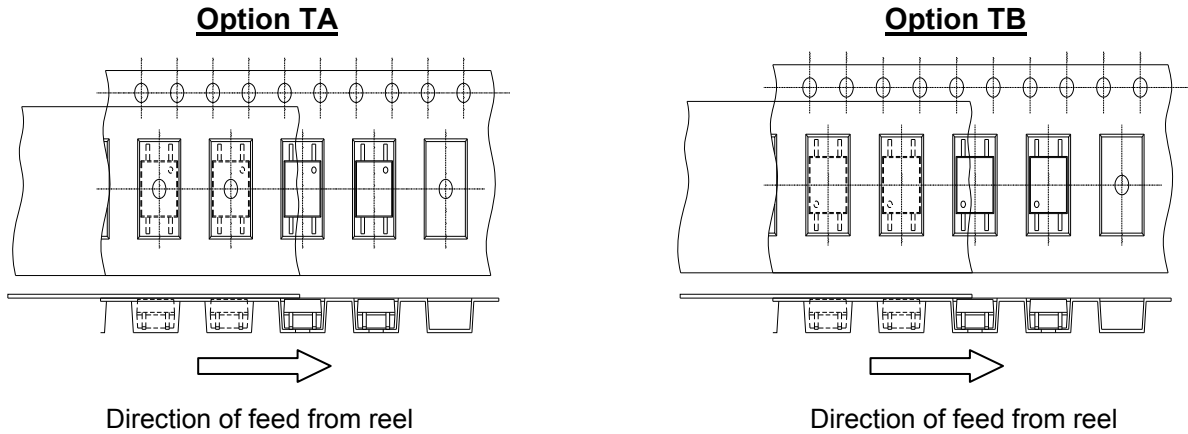
### Notes

EL	denotes Everlight
1015	denotes Device Number
Y	denotes 1 digit Year code
WW	denotes 2 digit Week code
V	denotes VDE (optional)

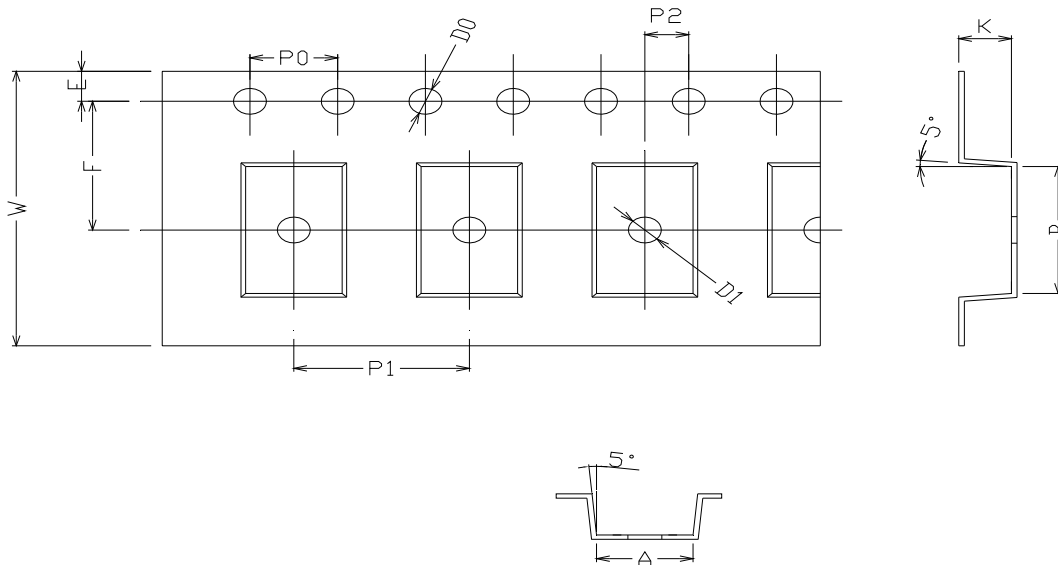
# 4 PIN LONG CREEPAGE SOP PHOTOTRANSISTOR PHOTOCOUPLER

**EL101X-G Series**

## Tape & Reel Packing Specifications



## Tape dimensions

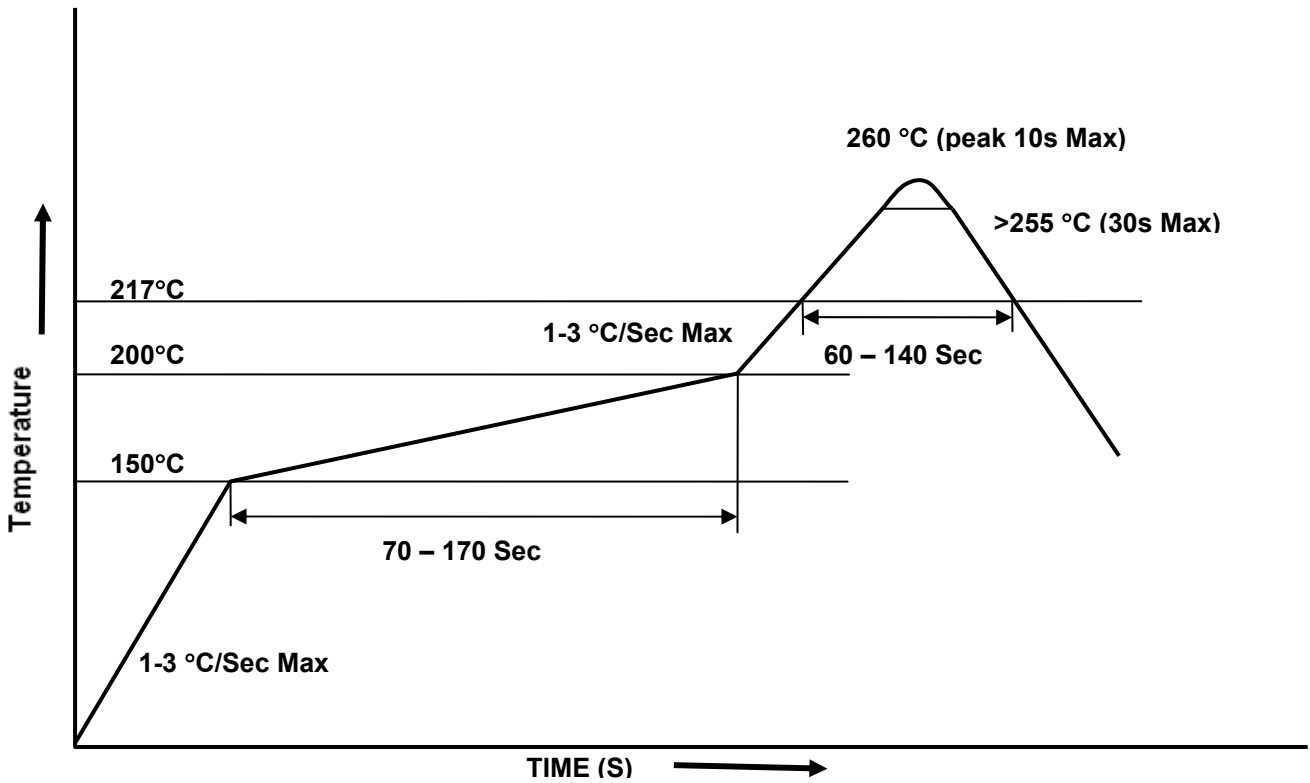


Dimension No.	A	B	Do	D1	E	F
Dimension (mm)	$4.4 \pm 0.1$	$10.5 \pm 0.1$	$1.5 + 0.1/-0$	$1.5 \pm 0.1$	$1.75 \pm 0.1$	$7.5 \pm 0.1$
Dimension No.	Po	P1	P2	t	W	K
Dimension (mm)	$3.8 \pm 0.1$	$8.0 \pm 0.1$	$2.0 \pm 0.1$	$0.3 \pm 0.05$	$16.0 \pm 0.3$	$2.14 \pm 0.1$

# 4 PIN LONG CREEPAGE SOP PHOTOTRANSISTOR PHOTOCOUPLER

**EL101X-G Series**

## Solder Reflow Temperature Profile





LIGHTING FOREVER

## 4 PIN LONG CREEPAGE SOP PHOTOTRANSISTOR PHOTOCOUPLER

**EL101X-G Series**

---

### DISCLAIMER

1. The specifications in this datasheet may be changed without notice. EVERLIGHT reserves the authority on material change for above specification.
2. When using this product, please observe the absolute maximum ratings and the instructions for use as outlined in this datasheet. EVERLIGHT assumes no responsibility for any damage resulting from use of the product which does not comply with the absolute maximum ratings and the instructions included in this datasheet.
3. These specification sheets include materials protected under copyright of EVERLIGHT. Reproduction in any form is prohibited without the specific consent of EVERLIGHT.