

Customer Information Sheet

DRAWING No.: M80-940XXX

SHEET 2 OF 2

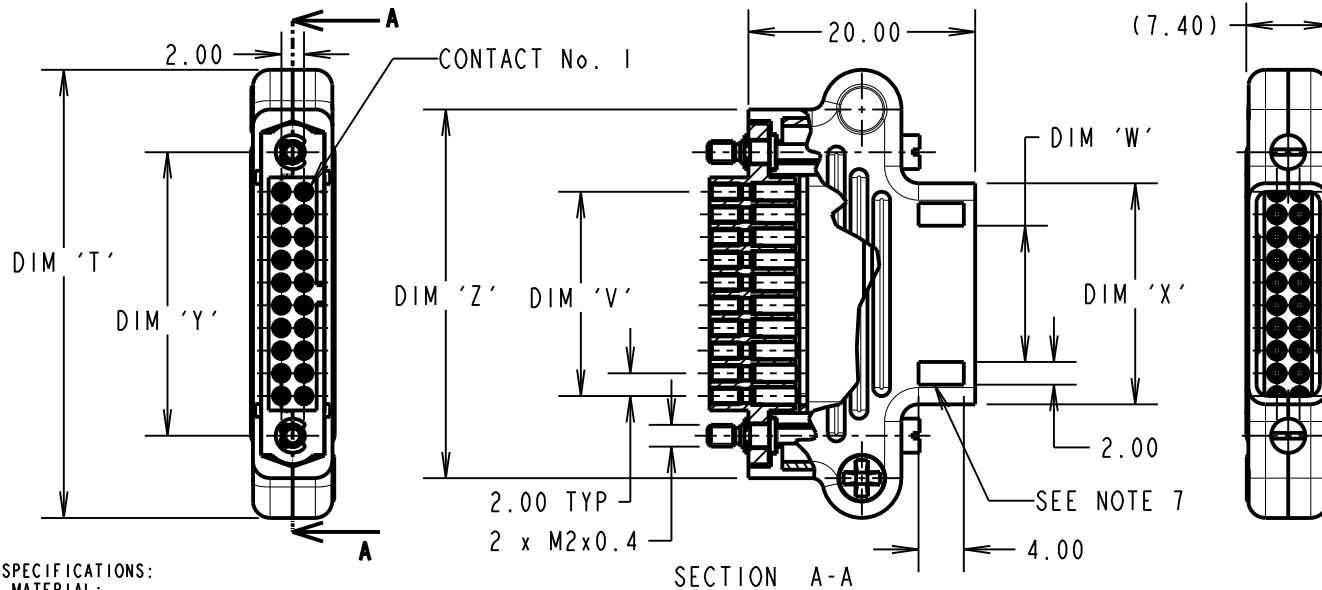
IF IN DOUBT - ASK

©

NOT TO SCALE

THIRD ANGLE PROJECTION

ALL DIMENSIONS IN mm



ORDER CODE:

M80-940XXX

TOTAL No. OF CONTACTS _____

06, 08, 10, 12, 14
20, 26, 34, 42, 50

FINISH _____

05 - GOLD CLIP, GOLD SHELL
42 - GOLD CLIP, 100% TIN SHELL

- NOTES:
- CONNECTORS ARE SUPPLIED WITH CONTACTS, CABLE HOOD SET, AND CABLE HOOD FIXING SCREWS LOOSE.
 - FOR EXTRA CONTACTS, USE PART NUMBER M80-01300XX (XX = 05 FOR GOLD FINISH, 01 FOR TIN FINISH).
 - RECOMMENDED WIRE TYPE = BS 3G 210 TYPE A, PTFE INSULATED 24-28 AWG. MAX INSULATION DIAMETER = $\varnothing 1.10\text{mm}$, STRIP WIRE BY 2.00mm.
 - RECOMMENDED HAND CRIMP TOOL = M22520/2-01 WITH POSITIONER T5747. SEE TOOLING INSTRUCTION SHEET IS-01 FOR COMPLETE CRIMPING INSTRUCTIONS.
 - CONTACT INSERTION AND EXTRACTION TOOL = Z80-280. REFER TO INSTRUCTION SHEET IS-25 FOR ASSEMBLY INSTRUCTIONS
 - NO CABLE TIE SLOTS ON M80-94006XX AND M80-94008XX.

SPECIFICATIONS:
MATERIAL:
 CABLE HOOD = 30% GLASS-FILLED POLYAMIDE 46
 DATAMATE MOULDING = 30% GLASS-FILLED PPS, UL94V-0, BLACK
 CONTACT = BERYLLIUM COPPER
 JACKSCREW = STAINLESS STEEL
 CABLE HOOD FIXING SCREW = MILD STEEL
FINISH:
 05 = 0.3 μ GOLD CLIP, 0.25-0.3 μ GOLD SHELL
 42 = 0.3 μ GOLD CLIP, 3.5-5.0 μ 100% TIN OVER NICKEL SHELL
 CABLE HOOD FIXING SCREW = CHEMI-BLACK
ELECTRICAL:
 CURRENT RATING AT 25°C = 3.0A MAX
 CURRENT RATING AT 85°C = 2.2A MAX
 WORKING VOLTAGE = 120V AC/DC
 VOLTAGE PROOF = 360V AC/DC
 CONTACT RESISTANCE = 25 m Ω MAX
 INSULATION RESISTANCE = 100 M Ω MIN
MECHANICAL:
 DURABILITY = 500 OPERATIONS
ENVIRONMENTAL:
 TEMPERATURE RANGE = -55°C TO +125°C
PACKING:
 LOOSE
 FOR COMPLETE SPECIFICATION, SEE COMPONENT SPECIFICATION C005XX (LATEST ISSUE)

PART NUMBER	No. OF CONTACTS	PART DIMENSIONS					
		DIM 'T'	DIM 'V'	DIM 'W'	DIM 'X'	DIM 'Y'	DIM 'Z'
M80-94006XX	6	25.50	4.00	N/A	5.50	11.00	18.50
M80-94008XX	8	27.50	6.00	N/A	7.50	13.00	20.50
M80-94010XX	10	29.50	8.00	2.00	9.50	15.00	22.50
M80-94012XX	12	31.50	10.00	4.00	11.50	17.00	24.50
M80-94014XX	14	33.50	12.00	6.00	13.50	19.00	26.50
M80-94020XX	20	39.50	18.00	12.00	19.50	25.00	32.50
M80-94026XX	26	45.50	24.00	18.00	22.50	31.00	38.50
M80-94034XX	34	53.50	32.00	26.00	33.50	39.00	46.50
M80-94042XX	42	61.50	40.00	34.00	41.50	47.00	54.50
M80-94050XX	50	69.50	48.00	42.00	49.50	55.00	62.50

SM	5	08.08.11	11389
NAME	ISS.	DATE	C/NOTE
APPROVED: S. MCCULLAGH			
CHECKED: R. ADDE			
DRAWN: N. CODLING			
CUSTOMER REF.:			
ASSEMBLY DRG:			

HARWIN

HARWIN USA
 TEL: 603 893 5376
 FAX: 603 893 5396
 mis@harwin.com

HARWIN Europe (UK)
 TEL: 023 9231 4545
 FAX: 023 9231 4590
 mis@harwin.co.uk

HARWIN Asia
 TEL: +65 6 779 4909
 FAX: +65 6 779 3868
 mis@harwin.com.sg

THIS DRAWING AND ANY INFORMATION OR DESCRIPTIVE MATTER SET OUT HEREON ARE CONFIDENTIAL AND COPYRIGHT PROPERTY OF THE HARWIN GROUP AND MUST NOT BE DISCLOSED, LOANED, COPIED OR USED FOR MANUFACTURING, TENDERING OR FOR ANY OTHER PURPOSE WITHOUT THEIR WRITTEN PERMISSION.

TOLERANCES
 X. = $\pm 1\text{mm}$
 X.X = $\pm 0.25\text{mm}$
 X.XX = $\pm 0.10\text{mm}$
 X.XXX = $\pm 0.01\text{mm}$
 ANGLES = $\pm 5^\circ$
 UNLESS STATED

MATERIAL:
 SEE ABOVE
FINISH: SEE ABOVE
S/AREA: mm²

TITLE: JACKSCREW DATAMATE DIL CRIMP (SMALL BORE) FEMALE ASSY WITH CABLE HOOD KIT
DRAWING NUMBER: M80-940XXX
 SHT 2 OF 2