



Micro Commercial Components



Micro Commercial Components
 20736 Marilla Street Chatsworth
 CA 91311
 Phone: (818) 701-4933
 Fax: (818) 701-4939

RB480KS

40 Volts

Schottky Barrier Diode

Features

- Lead Free Finish/RoHS Compliant ("P" Suffix designates RoHS Compliant. See ordering information)
- Epoxy meets UL 94 V-0 flammability rating
- Moisture Sensitivity Level 1
- Low Current Rectification
- High Reliability
- Marking: 3T

Maximum Ratings

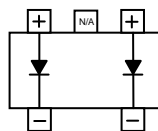
Symbol	Parameter	Rating	Unit
V_{RM}	Peak Reverse Voltage	45	V
V_R	DC Reverse Voltage	40	V
I_O	Mean Rectifying Current	0.1	A
I_{FSM}	Peak Forward Surge Current	1	A
T_J	Junction Temperature	125	°C
T_{STG}	Storage Temperature	-40 to +125	°C

Electrical Characteristics @ 25°C Unless Otherwise Specified

Symbol	Parameter	Min	Typ	Max	Units
--------	-----------	-----	-----	-----	-------

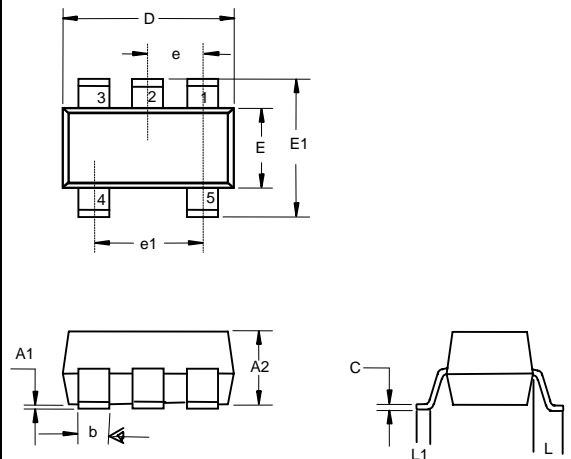
OFF CHARACTERISTICS

V_F	Forward Voltage ($I_F=10mA_{dc}$) ($I_F=100mA_{dc}$)	---	---	0.45 0.60	Vdc
I_R	Reverse Current ($V_R=10V_{dc}$) ($V_R=40V_{dc}$)	---	---	1 5	μA_{dc}
C_D	Diode Capacitance ($V_R=0V$) ($V_R=10V, f=1MHz$)	---	6	25 ---	pF



Internal Diagram

SOT-353



DIM	DIMENSIONS				NOTE
	INCHES		MM		
	MIN	MAX	MIN	MAX	
A1	---	.004	---	0.100	
A2	.035	.039	0.900	1.000	
b	.006	.014	0.150	0.350	
c	.003	.006	0.080	0.150	
D	0.79	.087	2.000	2.200	
E	.045	.053	1.150	1.350	
E1	.085	.096	2.150	2.450	
e	.026TYP		0.650TYP		
e1	.047	.055	1.200	1.400	
L	.021REF		0.525REF		
L1	.010	.018	0.260	0.460	

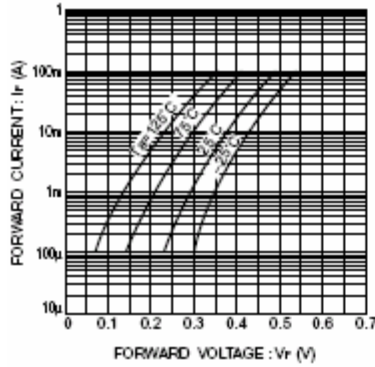


Fig.1 Forward temperature characteristics

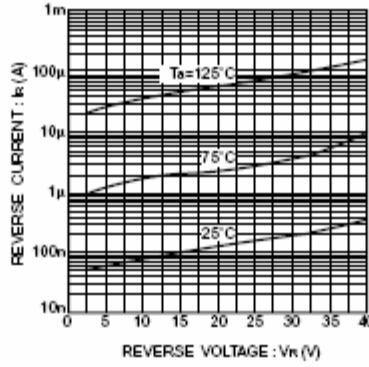


Fig.2 Reverse temperature characteristics

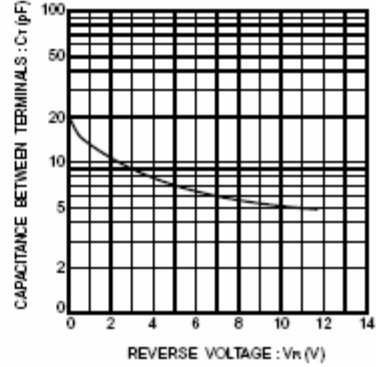


Fig.3 Capacitance between terminals characteristics

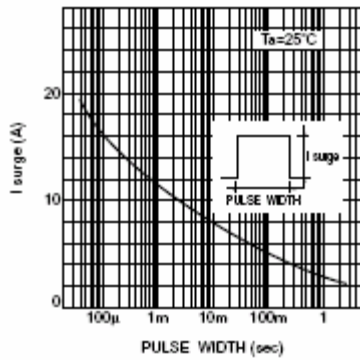


Fig.4 Surge current characteristics



TM

Micro Commercial Components

Ordering Information :

Device	Packing
Part Number-TP	Tape&Reel: 3Kpcs/Reel

IMPORTANT NOTICE

Micro Commercial Components Corp. reserves the right to make changes without further notice to any product herein to make corrections, modifications , enhancements , improvements , or other changes . **Micro Commercial Components Corp .** does not assume any liability arising out of the application or use of any product described herein; neither does it convey any license under its patent rights ,nor the rights of others . The user of products in such applications shall assume all risks of such use and will agree to hold **Micro Commercial Components Corp .** and all the companies whose products are represented on our website, harmless against all damages.

LIFE SUPPORT

MCC's products are not authorized for use as critical components in life support devices or systems without the express written approval of Micro Commercial Components Corporation.

CUSTOMER AWARENESS

Counterfeiting of semiconductor parts is a growing problem in the industry. Micro Commercial Components (MCC) is taking strong measures to protect ourselves and our customers from the proliferation of counterfeit parts. MCC strongly encourages customers to purchase MCC parts either directly from MCC or from Authorized MCC Distributors who are listed by country on our web page cited below. Products customers buy either from MCC directly or from Authorized MCC Distributors are genuine parts, have full traceability, meet MCC's quality standards for handling and storage. **MCC will not provide any warranty coverage or other assistance for parts bought from Unauthorized Sources.** MCC is committed to combat this global problem and encourage our customers to do their part in stopping this practice by buying direct or from authorized distributors.

www.mccsemi.com