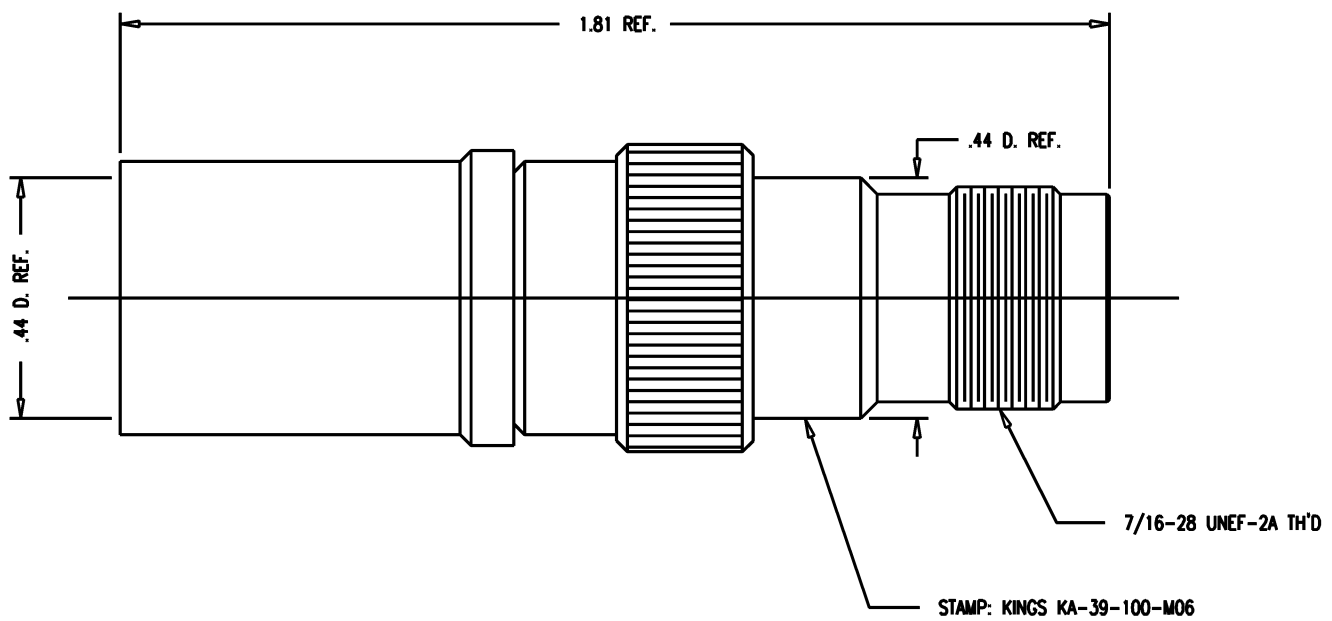


DASH NO.	M CODE	MADE FROM
----------	--------	-----------

GSD

KA-39-100-M06

REVISIONS	
ISSUE	CHANGES
0	ER 29412 EAJ 20 NOV 87



NOTES:

- FOR USE WITH RG-393/U CABLE.
- FOR CABLE TRIMMING USE KTJ-150 AND KTD-138.
- FOR CRIMPING USE DIE SIZE KTH-2105.
- FOR CABLING INSTRUCTIONS SEE CP-5402.
- CENTER CONTACT TO BE SUPPLIED UNASSEMBLED.
- MATERIALS:
INSULATOR-TEFLON, L-P-403
K-GRIP SLEEVE-COMMERCIAL BRONZE TUBE, ALLOY 220
CENTER CONTACT-BER. COP., QQ-C-530
ALL OTHER METAL PARTS-BRASS, QQ-B-626
- FINISHES:
CENTER CONTACT-.00005 HARD GOLD PLATE PER MIL-G-45204
ALL OTHER METAL PARTS-KINGS TARNISH RESISTANT FINISH (TR-5)
- ELECTRIAL CHARACTERISTICS:
NOMINAL IMPEDANCE-50 OHMS
FREQUENCY RANGE-DC TO 11 GHZ
WORKING VOLTAGE-500 VRMS

SCALE 4:1	
APPROX SURFACE AREA	
WAS: E-11380	
USED ON	
REF:	
TNC JACK	
DRAWN KH	DATE 05/29/90
DESIGN MJB	DATE 05/30/90
APPR.	DATE


KINGS
 ELECTRONICS CO., INC.
 TUCKAHOE, NEW YORK 10707

KA-39-100-M06

GSD