

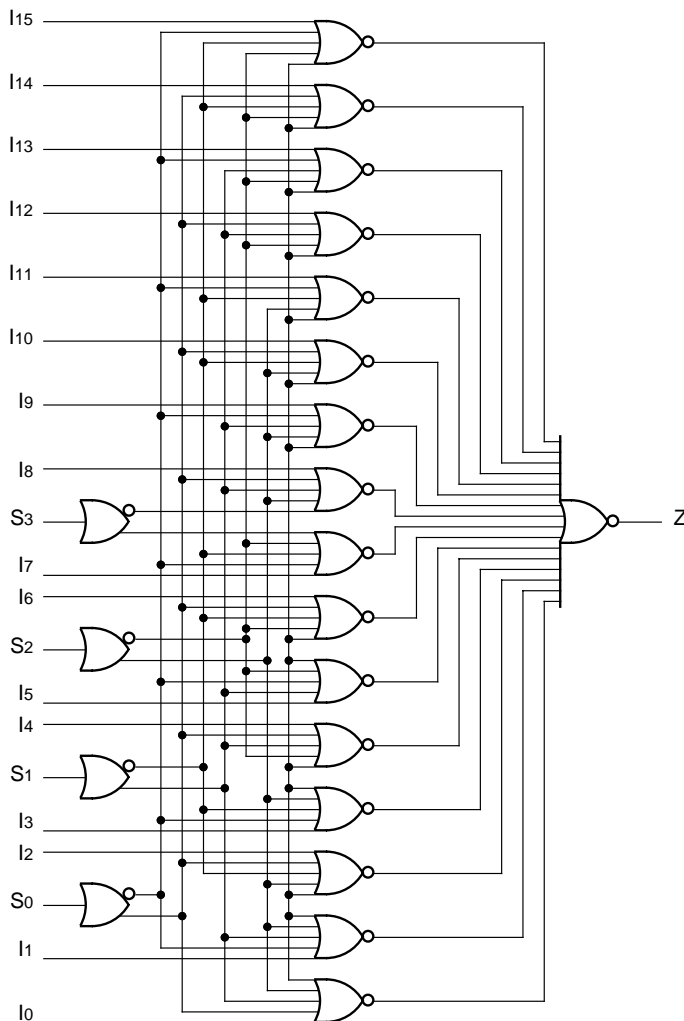
### FEATURES

- Max. propagation delay of 1300ps
- IEE min. of -63mA
- Industry standard 100K ECL levels
- Extended supply voltage option:  
VEE = -4.2V to -5.5V
- Voltage and temperature compensation for improved noise immunity
- Internal 75kΩ input pull-down resistors
- 70% faster than Fairchild
- 40% lower power than Fairchild
- Function and pinout compatible with Fairchild F100K
- Available in 28-pin PLCC packages

### DESCRIPTION

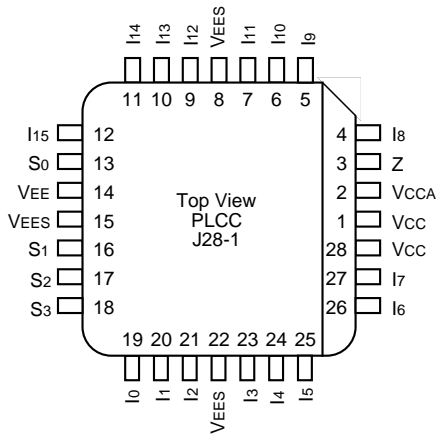
The SY100S364 is a 16-input multiplexer designed for use in high-performance ECL systems. The four Data Select inputs (S<sub>0</sub>, S<sub>1</sub>, S<sub>2</sub>, S<sub>3</sub>) determine the bit from the 16 inputs (I<sub>n</sub>) that will be passed on to the output as shown in the Truth Table. The output data polarity is the same as the input. The inputs on the device have 75kΩ pull-down resistors.

### BLOCK DIAGRAM



**PACKAGE/ORDERING INFORMATION**

**Ordering Information**



**28-Pin PLCC (J28-1)**

Part Number	Package Type	Operating Range	Package Marking	Lead Finish
SY100S364JC	J28-1	Commercial	SY100S364JC	Sn-Pb
SY100S364JCTR <sup>(1)</sup>	J28-1	Commercial	SY100S364JC	Sn-Pb
SY100S364JZ <sup>(2)</sup>	J28-1	Commercial	SY100S364JZ with Pb-Free bar-line indicator	Matte-Sn
SY100S364JZTR <sup>(1, 2)</sup>	J28-1	Commercial	SY100S364JZ with Pb-Free bar-line indicator	Matte-Sn

**Notes:**

1. Tape and Reel.
2. Pb-Free package is recommended for new designs.

**PIN NAMES**

Pin	Function
I0 – I15	Data Inputs
S0 – S3	Select Inputs
Z	Data Output
VEES	VEE Substrate
VCCA	Vcco for ECL Outputs

**TRUTH TABLE<sup>(1)</sup>**

Select Inputs				Output
S0	S1	S2	S3	Z
L	L	L	L	I0
H	L	L	L	I1
L	H	L	L	I2
H	H	L	L	I3
L	L	H	L	I4
H	L	H	L	I5
L	H	H	L	I6
H	H	H	L	I7
L	L	L	H	I8
H	L	L	H	I9
L	H	L	H	I10
H	H	L	H	I11
L	L	H	H	I12
H	L	H	H	I13
L	H	H	H	I14
H	H	H	H	I15

**NOTE:**

1. H = HIGH Voltage Level  
L = LOW Voltage Level

### DC ELECTRICAL CHARACTERISTICS

VEE = -4.2V to -5.5V unless otherwise specified; VCC = VCCA = GND

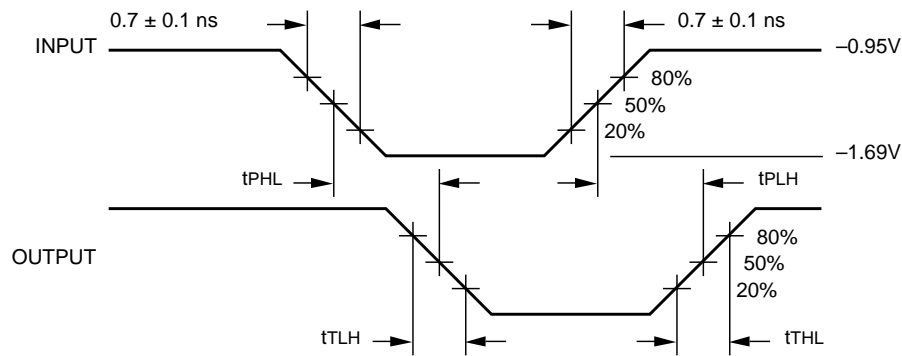
Symbol	Parameter	Min.	Typ.	Max.	Unit	Condition
IIH	Input HIGH Current				μA	VIN = VIH (Max.)
	In	—	—	200		
	S0, S1	—	—	200		
	S2, S3	—	—	200		
IEE	Power Supply Current	-63	-45	-30	mA	Inputs Open

### AC ELECTRICAL CHARACTERISTICS

VEE = -4.2V to -5.5V unless otherwise specified; VCC = VCCA = GND

Symbol	Parameter	TA = 0°C		TA = +25°C		TA = +85°C		Unit	Condition
		Min.	Max.	Min.	Max.	Min.	Max.		
tPLH tPHL	Propagation Delay I0 - I15 to Output	400	1300	400	1300	400	1300	ps	
tPLH tPHL	Propagation Delay S0, S1 to Output	400	1800	400	1800	400	1800	ps	
tPLH tPHL	Propagation Delay S2, S3 to Output	400	1600	400	1600	400	1600	ps	
tTLH tTHL	Transition Time 20% to 80%, 80% to 20%	300	900	300	900	300	900	ps	

### TIMING DIAGRAM

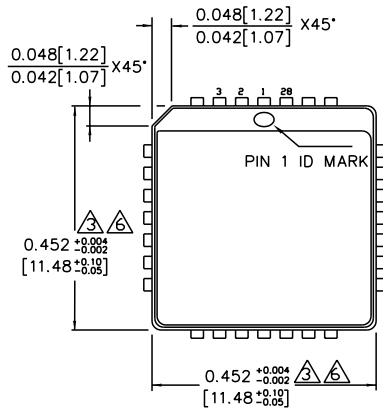


Propagation Delay and Transition Times

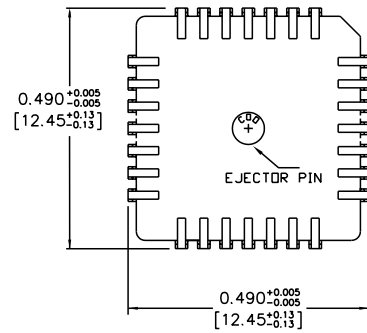
**Note:**

VEE = -4.2V to -5.5V unless otherwise specified; VCC = VCCA = GND

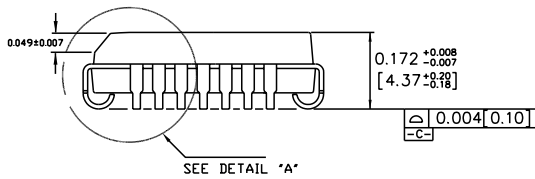
**28-PIN PLCC (J28-1)**



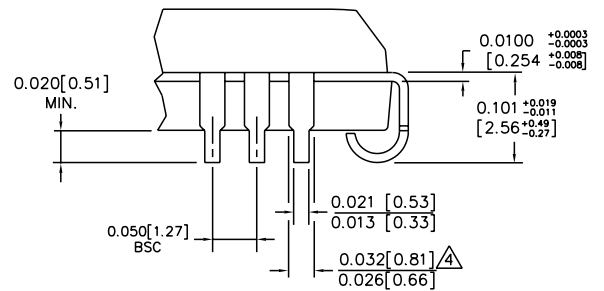
TOP VIEW



BOTTOM VIEW



SIDE VIEW



DETAIL "A"

NOTES:

1. DIMENSIONS ARE IN INCHES [MM].
2. CONTROLLING DIMENSION: INCHES.
3. DIMENSION DOES NOT INCLUDE MOLD FLASH OR PROTRUSIONS, EITHER OF WHICH SHALL NOT EXCEED 0.008 [0.203].
4. LEAD DIMENSION DOES NOT INCLUDE DAMBAR PROTRUSION.
5. MAXIMUM AND MINIMUM SPECIFICATIONS ARE INDICATED AS FOLLOWS: MAX/MIN
6. PACKAGE TOP DIMENSION MAY BE SLIGHTLY SMALLER THAN BOTTOM DIMENSION.

Rev. A

**MICREL, INC. 2180 FORTUNE DRIVE SAN JOSE, CA 95131 USA**

TEL + 1 (408) 944-0800 FAX + 1 (408) 474-1000 WEB <http://www.micrel.com>

The information furnished by Micrel in this datasheet is believed to be accurate and reliable. However, no responsibility is assumed by Micrel for its use. Micrel reserves the right to change circuitry and specifications at any time without notification to the customer.

Micrel Products are not designed or authorized for use as components in life support appliances, devices or systems where malfunction of a product can reasonably be expected to result in personal injury. Life support devices or systems are devices or systems that (a) are intended for surgical implant into the body or (b) support or sustain life, and whose failure to perform can be reasonably expected to result in a significant injury to the user. A Purchaser's use or sale of Micrel Products for use in life support appliances, devices or systems is at Purchaser's own risk and Purchaser agrees to fully indemnify Micrel for any damages resulting from such use or sale.

© 2006 Micrel, Incorporated.