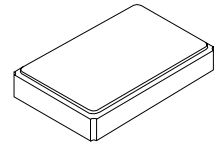





XTL1010

**12.00000 MHz
Crystal Unit**



SM5032-4 Case

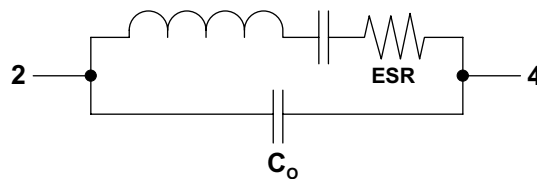
- **Surface Mount Seam-Weld Package**
- **Good Frequency Stability over Temperature**
- **Excellent Reliability**
- **Complies with Directive 2002/95/EC (RoHS)** 

The XTL1010 is a surface mount 5.0 x 3.2 mm crystal unit for use in wireless telecommunications devices, especially where an ultra-miniature package is needed for mobility.

Electrical Characteristics

Characteristic	Sym	Notes	Minimum	Typical	Maximum	Units
Nominal Frequency				12.00000		MHz
Mode of Oscillation			Fundamental			
Storage Temperature Range			-40		+85	°C
Operating Temperature Range			-10		+60	°C
Frequency Stability over Operating Temperature Range			±30 ppm (referred to the value at 25°C)			
Frequency Make Tolerance	F _L		±30 ppm @ 25°C ±3°C			
Equivalent Series Resistance	ESR				60	Ω
Nominal Drive Level				10		uW
Shunt Capacitance	C _O				3.0	pF
Load Capacitance	C _L			12		pF
Motional Capacitance	C _M		4.0 fF ±20%			
Insulation Resistance			500MΩ min @ 100 VDC			
Aging			±1.0 ppm/year @25°C			
Standard Shipping Quantity on 330 mm (13") Reel				3000		units
Lid Symbolization (in addition to Lot and/or Date Codes)			Line 1: 1010		Line 2: YWWS	

Crystal Equivalent Circuit



CAUTION: Electrostatic Sensitive Device. Observe precautions for handling.

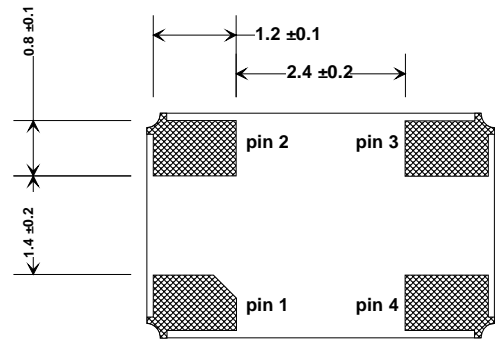
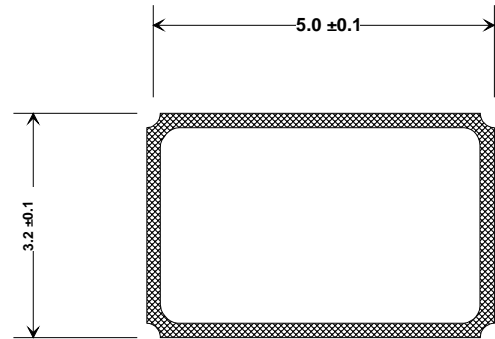
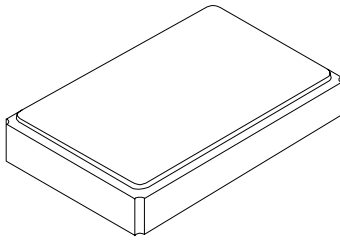
Notes:

1. The design, manufacturing process, and specifications of this device are subject to change without notice.

SM5032-4 Case

4-Terminal Surface-Mount Seam Weld Case

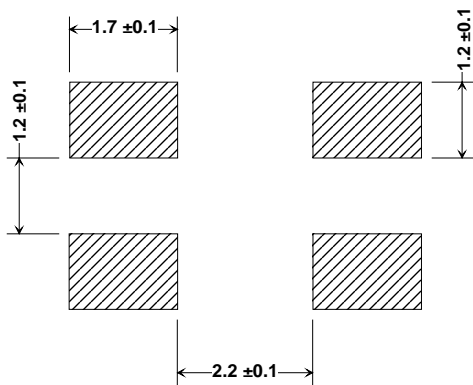
5.0 x 3.2 mm Nominal Footprint



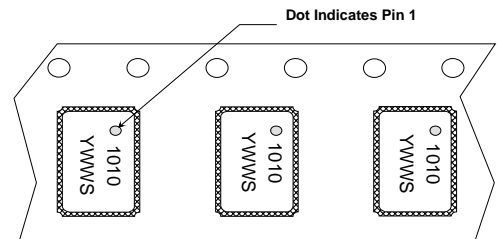
Package Dimensions (mm)

Electrical Connections

Pin	Connection
1	GND
2	IN/OUT
3	GND
4	IN/OUT

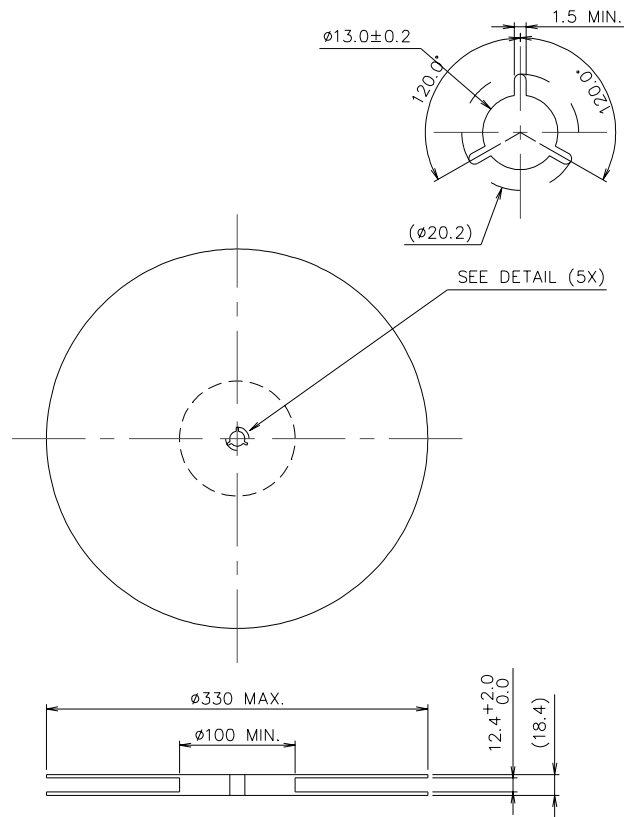


Footprint (mm)

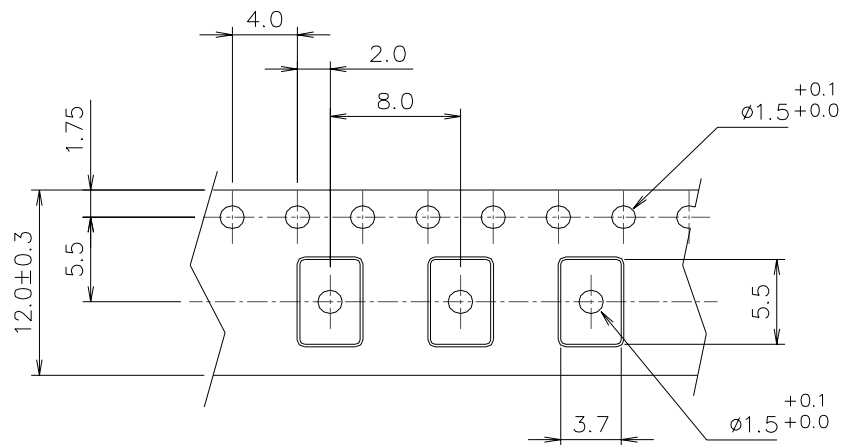


Package Orientation in Carrier Tape

Reel Dimensions



Tape Dimensions



Notes:

1. Unless otherwise specified, tolerance on dimensions is ± 0.1 mm
2. Material is black conductive polystyrene
3. 10 pitch cumulative tolerance is ± 0.2 mm