

PLEASE CHECK WWW.MOLEX.COM FOR LATEST PART INFORMATION

Part Number: **0490161010**
Status: **Active**
Description: 1.02/2.28mm (.040/.090") Tab, Hybrid Wire-to-Wire Housing, Male, 10 Circuits

Documents:

[Drawing \(PDF\)](#) [RoHS Certificate of Compliance \(PDF\)](#)
[Product Specification PS-49014-001 \(PDF\)](#)

General

Product Family	Crimp Housings
Series	49016
Product Name	N/A

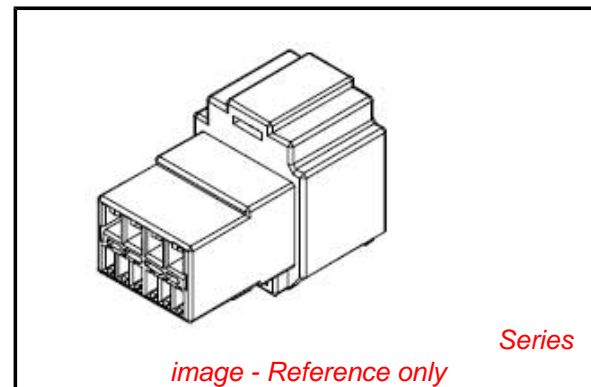
Physical

Circuits (maximum)	10
Color - Resin	Natural, Yellow
Gender	Male
Glow-Wire Compliant	No
Lock to Mating Part	Yes
Material - Resin	Polyester
Number of Rows	2
Packaging Type	Bag
Panel Mount	Yes
Pitch - Mating Interface (in)	0.098 In
Pitch - Mating Interface (mm)	2.50 mm
Stackable	No
Temperature Range - Operating	-30°C to +85°C

Material Info

Reference - Drawing Numbers

Product Specification	PS-49014-001
Sales Drawing	SD-49016-001



EU RoHS

ELV and RoHS Compliant
REACH SVHC
 Not Reviewed
Halogen-Free Status

China RoHS



Need more information on product environmental compliance?

Email productcompliance@molex.com
 For a multiple part number RoHS Certificate of Compliance, [click here](#)

Please visit the [Contact Us](#) section for any non-product compliance questions.

Search Parts in this Series
[49016Series](#)

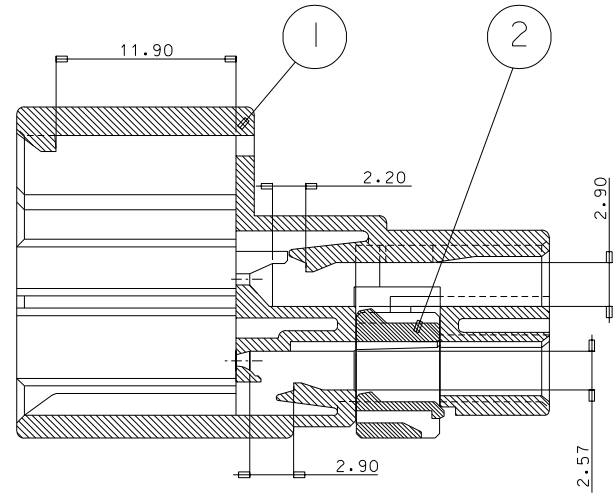
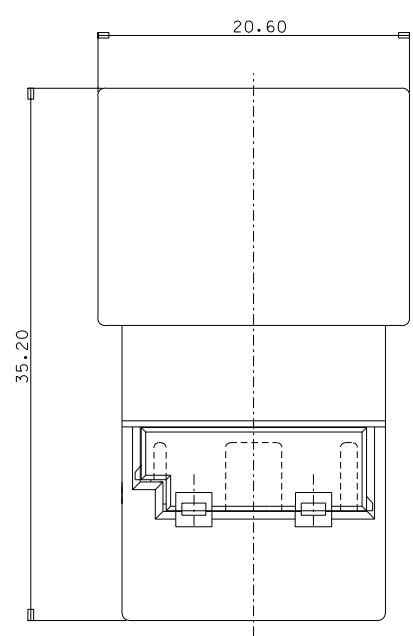
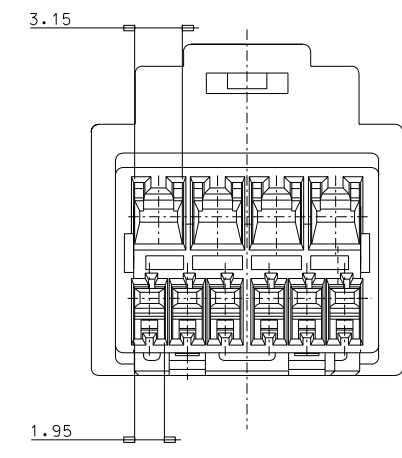
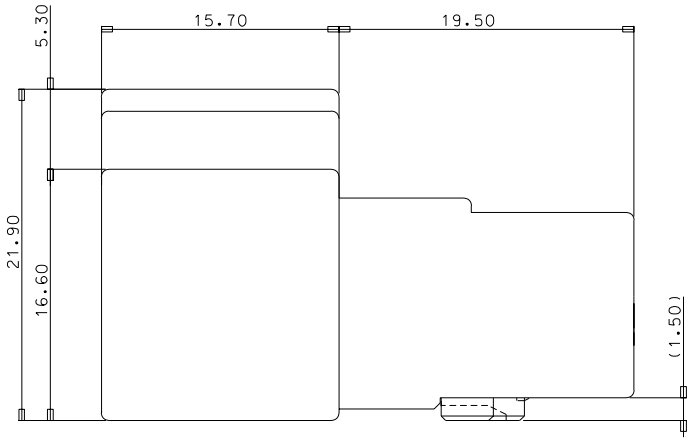
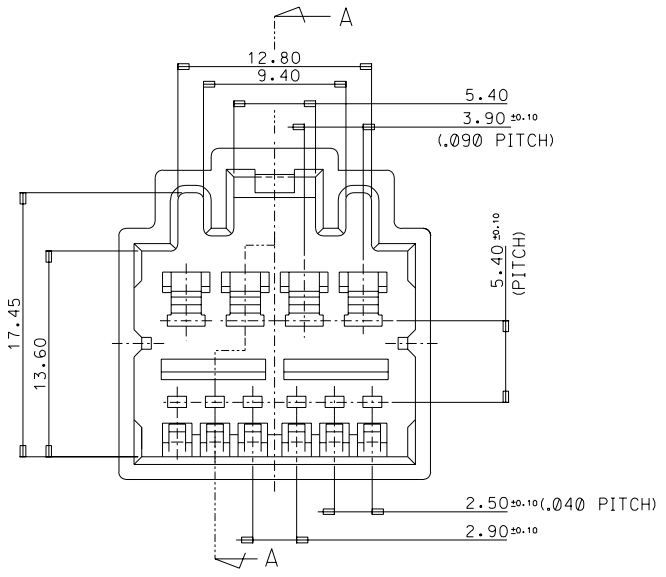
Mates With
[49014 Housing](#)

Use With
[57919 Terminal](#), [50660 Terminal](#)

DO NOT SCALE DRAWING DIMENSION IN METRIC

PROJECT NO. DWG. NO. SD-49016-001

SIMILAR ITEM



NOTE
 1. MATERIAL & FINISH: SEE TABLE
 2. MATING CONNECTOR : 49014-10*0
 3. APPLICATION TERMINAL : 57919-6*02(090)
 50660-900(1040)

NO.	PART NO.	PART NAME	MATERIAL	REMARK
1	49016-1090	.040/090 M/HSG 10P	POLYESTER	WHITE
2	49017-1083	.040/090 MALE TPA 10P	POLYESTER	YELLOW

490161010	49016-1010
MATERIAL NO.	ENG. NO.

NEW RELEASE EC NO.:KOR2004-0040 DRWNS:MKIM 03/11/10 CH'K:K.YOON 03/11/10 APPR:C.W.LEE	QUALITY SYMBOLS MAJOR = CRITICAL =	GENERAL TOLERANCES: (UNLESS SPECIFIED)		SCALE 3:1	DESIGN UNITS <input checked="" type="checkbox"/> mm <input type="checkbox"/> INCH	THIRD ANGLE PROJECTION <input type="checkbox"/> mm <input type="checkbox"/> INCH <input checked="" type="checkbox"/> mm ONLY	SHT	REV				
		4 PLACES ±0. mm ±. INCH	3 PLACES ±0. mm ±. INCH	2 PLACES ±0.3 mm ±. INCH	1 PLACE ±0.2 mm ±. INCH		DRAWN BY & DATE 2003/03/04 H.C.RHO		TITLE: .040/090 MALE HOUSING ASS'Y 10P	REVISE ON CAD ONLY		
		ANGULAR: ± 1 °				CHECKED BY & DATE 2003/03/04 H.C.RHO		APPROVED BY & DATE 2003/03/05 C.W.LEE		MATERIAL NO. SEE TABLE	DRAWING NO. SD-49016-001	SHEET NO. 1 OF 1
		DRAFT WHERE APPLICABLE MUST REMAIN WITHIN DIMENSIONS				CAD FILENAME SD49016.DGN						
THIS DRAWING CONTAINS INFORMATION THAT IS PROPRIETARY TO MOLEX INCORPORATED AND SHOULD NOT BE USED WITHOUT WRITTEN PERMISSION.								SIZE B				