

NOTES:

- 1 SCREW(S) AND WASHER(S) TO BE BAGGED SEPARATELY AND PLACED IN A BAG WITH POWER TERMINAL(S). SEAL BAG AND LABEL.
- 2 SCREW AND WASHER TO BE HAND TIGHT ASSEMBLED FOR -2 ONLY
- 3 ALL TORQUE TESTING MUST BE PERFORMED WITH A .038 / 0.97 MINIMUM THICK SPACER BETWEEN THE SCREW HEAD AND TERMINAL BODY.
- 4 TORQUE REQUIREMENTS. THE THREADS OF BOTH THE POWER TERMINAL AND THE BRASS SCREW SUPPLIED WILL WITHSTAND 8 IN.-LBS. MINIMUM OF TIGHTENING TORQUE WITHOUT DAMAGE, WHEN A WASHER WITH A MINIMUM THICKNESS OF .038 / 0.97 (AS SUPPLIED) IS INSTALLED BETWEEN THE SCREW HEAD AND THE POWER TERMINAL BODY.
- 5 NO PLATING ON EDGES SHOWN
- 6 C-Press® CONTACT PLATED THRU HOLE REQUIREMENTS PER DRAWING 27331.
- 7 WHEN NO WASHER / SPACER OR TERMINAL LUG IS INSTALLED, THE THREADS OF THE POWER TERMINAL WILL WITHSTAND A MAXIMUM TIGHTENING TORQUE OF 6 IN.-LBS.

SPECIFICATIONS

MATERIALS

Power Terminal ————— Copper-Nickel-Tin Alloy, CDA 72500
 Finish: Solder Plate 60/40, 30min. to 70min.
 except per note 4

1 2 3 Screw ————— Brass, Pan Head (SEE CHART)

1 3 Washer ————— Brass, Cad Plated
 (.21 / 5.3 Min. O.D. X .038 / 0.97 Min. Thk.)

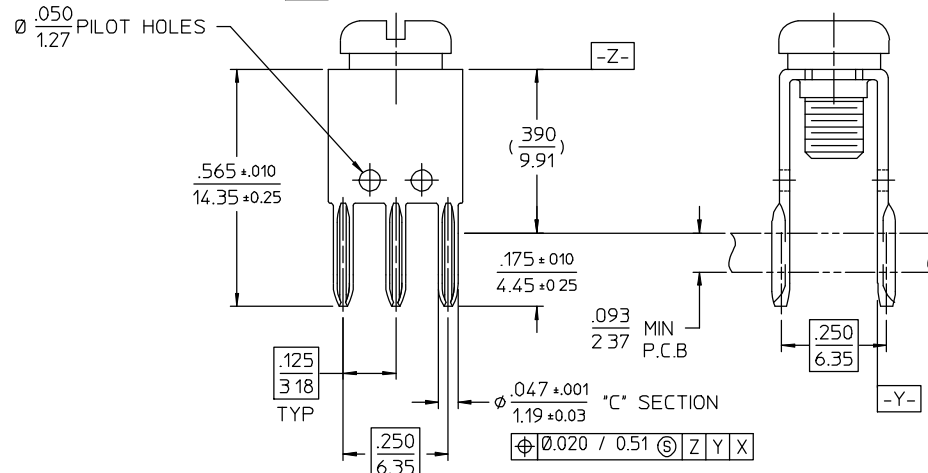
PERFORMANCE CHARACTERISTICS

Current rating, 6 Pin ————— 18 amp. @ 30°C rise

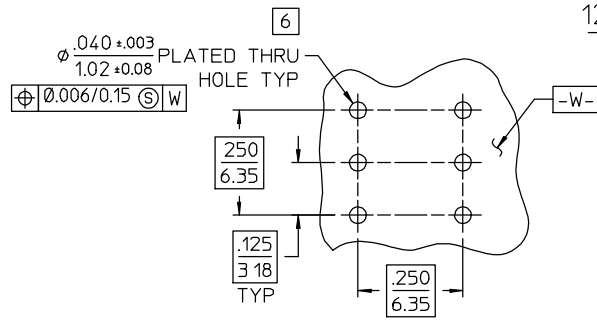
Operating temperature range ————— -55°C to +105°C

C-Press® Performance.

- Maximum insertion force, 6 Pin ————— 240 lbs. max.
- Minimum retention force, 6 Pin ————— 48 lbs min
- Number of repair cycles without hole deformation or performance loss ————— 3
- Contact to PTH electrical resistance — 2 milliohms max.



121-14207-2 SHOWN 2



P.C. BOARD HOLE PATTERN

REV	DESCRIPTION	BY DATE	APPD
K	ADDED CATALOG No 121-14207 TO CHART ADDED NOTE 7 REVISED MATERIALS. ECR# 3910	J.M.C. 5/6/00/01	J.M.C.

1	121-14207-3	WITH #6-32 UNC-2A X 1/4 LONG SCREW & WASHER, CAD. PLATE	107-42229	107-42503
2	121-14207-2	WITH #6-32 UNC-2A X 1/4 LONG SCREW & WASHER ASSEMBLED		
1	121-14207-1	WITH #6-32 UNC-2A X 1/4 LONG SCREW & WASHER		
	121-14207	WITHOUT SCREW		
	CATALOG No	DESCRIPTION	INSERTION TOOL	REMOVAL TOOL

UNLESS OTHERWISE SPECIFIED. DIMENSIONS ARE IN INCHES. OR INCHES / MM		Litton	
TOLERANCES	MM OR INCHES / MM	Winchester Electronics 400 PARK ROAD WATER TOWN, CONNECTICUT 06795	
DECIMALS	.xx ± .02 / 0.5 .xxx ± .005 / 0.13	TITLE POWER TERMINAL, C-PRESS® 6 PIN, #6-32 TH'D. .125 X .250 GRID	
ANGLES	SCALE: 4:1		
CUSTOMER DRAWING			
DRAWN	DATE CHECKED	DATE	
Danna	03/19/85	JAD	03/20/85
APPROVED	DATE APPROVED	DATE	
JAD	03/22/85		
		C	14207
		SHT. 1 OF 1	REV. K